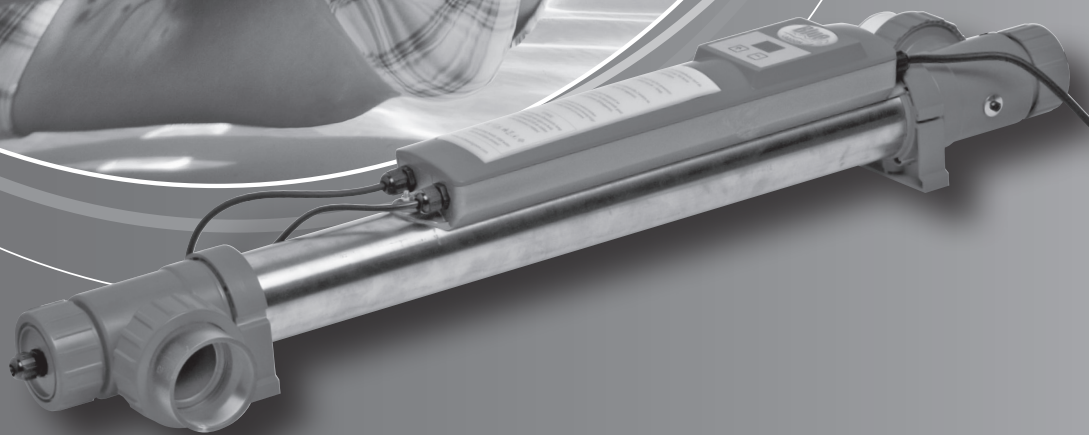


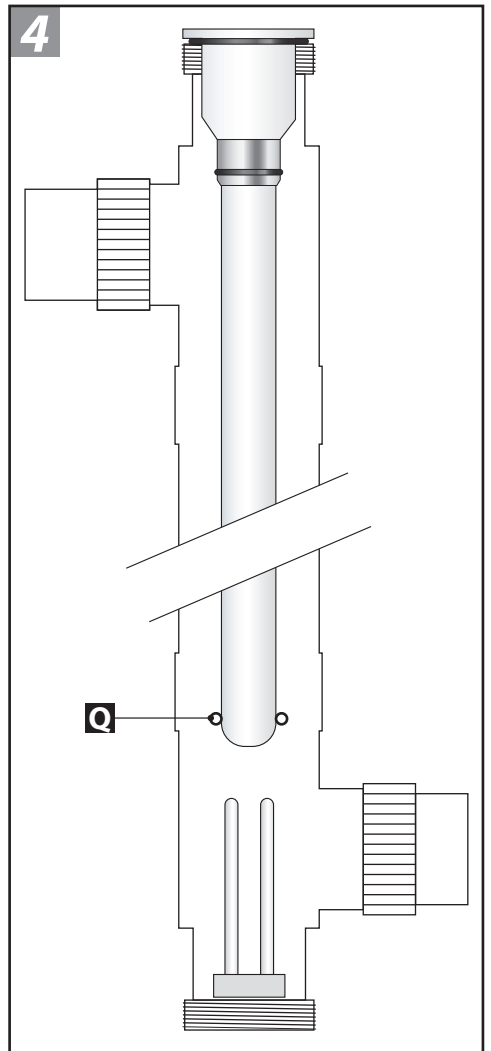
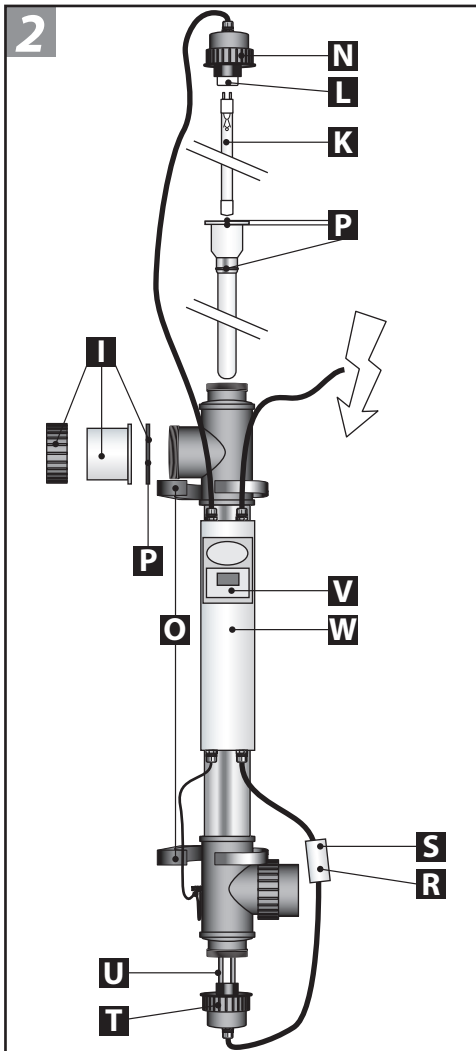
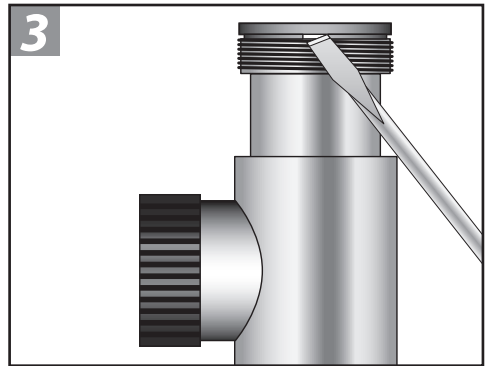
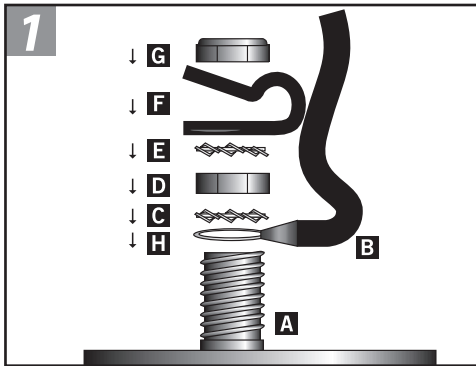
Blue lagoon

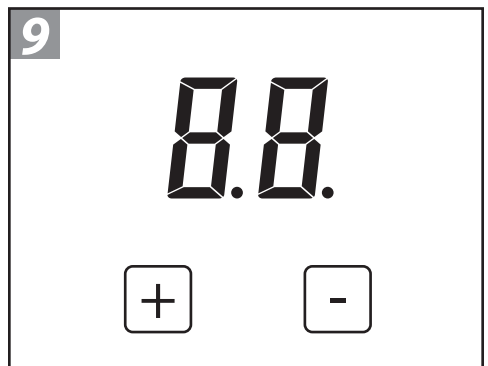
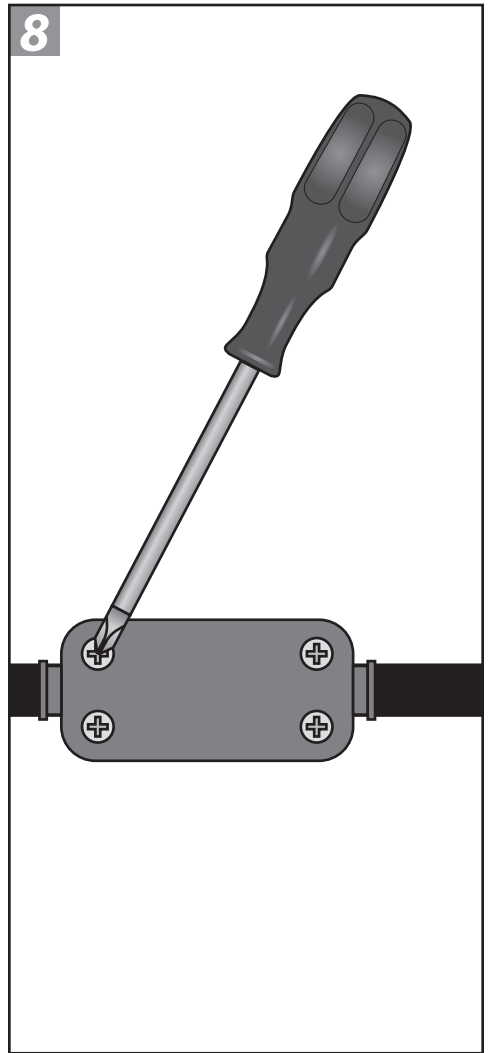
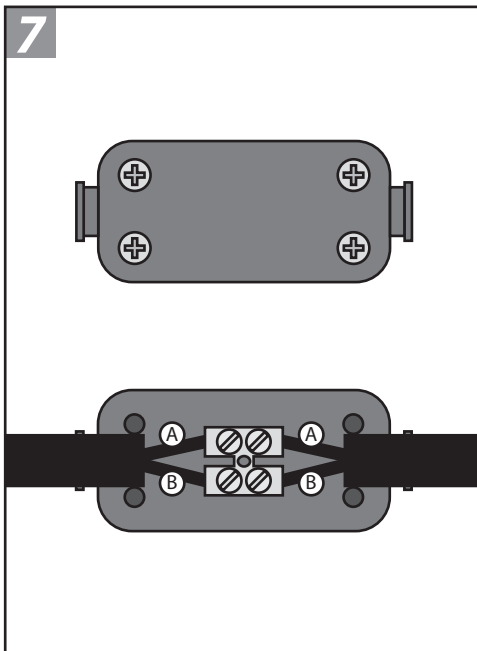
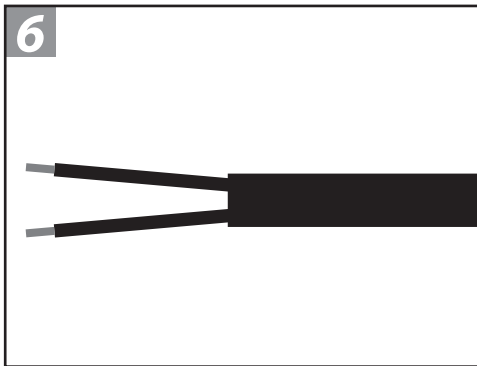
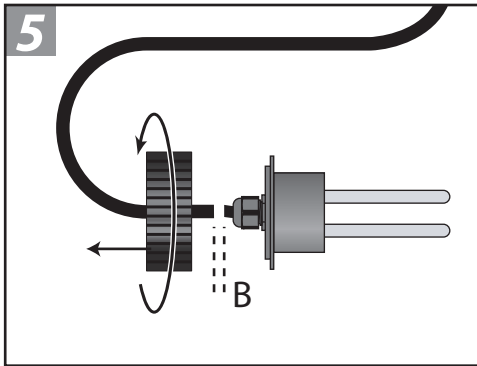


UV-C COPPER IONIZER

40 WATT 

75 WATT 





Blue Lagoon UV-C Copper Ionizer 40.000 - 75.000 GB

Please read through these instructions for use carefully before installing this device.

Operation

The Blue Lagoon UV-C Copper Ionizer will clean the water in your swimming pool through copper electrolysis combined with UV-C radiation. The Blue Lagoon UV-C Copper Ionizer is placed on the piping system after the swimming pool filter. The swimming pool water then flows through the housing of the Blue Lagoon UV-C Copper Ionizer. A UV-C lamp and a copper unit, or ionizer, are positioned within the housing, and the copper unit discharges a minimal amount of copper into the water flowing through the housing. These copper ions (Cu^{2+}) in the water have a positive charge and destroy the cell walls of bacteria, viruses and other primitive organisms. As the cell wall is thereby damaged, these organisms are no longer able to take up any nutrients, and are therefore unable to multiply. The process of applying a positive charge to copper is called copper electrolysis. The copper in the water acts as a disinfecting buffer in your swimming pool and, in terms of results, can be compared with the effect of chlorine. The UV-C lamp that is positioned in the Blue Lagoon UV-C Copper Ionizer generates UV-C light. This UV-C light produces UV-C radiation with a wavelength of 253.7 nm, ensuring that bacteria, viruses and other primitive organisms are destroyed. Due to the length of the device, the water is exposed to this high level of radiation for a longer time, which destroys the DNA of bacteria, viruses and micro-organisms. The interior of the device made of 316L stainless steel, which ensures an additional reflection of the UV-C radiation, increasing the efficiency by up to 35%.

Research has shown that UV-C light disinfects swimming pool water up to 80%, while copper disinfects up to 20% of the swimming pool water. Assuming that these values are 100% correct, the combination of UV-C with copper electrolysis makes it possible to swim safely without having to use any chemicals. Thanks to the Blue Lagoon UV-C Copper Ionizer, your swimming pool water will be disinfected efficiently and safely, and the quality of your water will remain excellent.

Use

After the Blue Lagoon UV-C Copper Ionizer has been installed on your piping system, the UV-C lamp will switch on immediately after it has been plugged into the socket. Before switching on the ionizer, the water must first be tested in order to establish the current copper value in your swimming pool. The ideal copper content is situated between 0.4 and 0.7 ppm. The test strip will indicate whether the copper content is too high or too low.

The ionizer is switched on by pressing the "+" button on the display (**V**) (see **drawing 2 & 9**). The status of the copper emission will appear in red on the screen. This can be a figure between "0" and "99". If you set the ionizer to "00", it will be switched off and will no longer emit copper. The initial starting position of the display depends on the swimming pool size and on the result of the test strip when you made your first water test. If the copper content is too low after the first test, you can increase the displayed figure to, for example, 30 or higher by using the "+" button. Test the water again after one week, and, if the test strip still indicates that the copper value is low, increase the figure on the display again. If the test strip indicates a correct value between 0.4 and 0.7 ppm, there is no need to change anything to the display. If the copper value is too high, turn the displayed value to "00" using the "-" button in order to stop the emission of copper into the water. If you test the water again after one more week, the result of the test strip will indicate whether you should switch the ionizer on again or not. You will ultimately be able to establish the correct copper level in your swimming pool by regularly testing and increasing or diminishing the displayed value.

The ionizer will switch off automatically every 336 hours, and the figures on the display of the device will then no longer be lit up. The UV-C lamp will continue to operate as long as the power is connected. Whenever the ionizer switches off, you must test the water using the supplied test strips. The device can be switched on again with the "+" button, and the position to which the display was set before switching off automatically will appear on the display again. Once you have switched the ionizer on, you will not be able to switch the display off again yourself, and it will switch off again automatically after 336 hours. If you have made a mistake, or if you do not wish to use the ionizer, simply set the display position to "00". During the first month of use, the water of the swimming pool must be tested every week until you find the correct level. After one month, the testing can be reduced to once every two weeks. The PH value can also be tested with the test strips. A PH value between 7.0 – 7.6 is the optimum value for copper electrolysis.

Chlorine may still be used if desired, but naturally at a very low dosage, because the Blue Lagoon UV-C Copper Ionizer is already disinfecting the pool water. It is important to always use inorganic chlorine (liquid, granular, sticks or pastilles) in combination with an ionizer. Other types of chlorine will not work in combination with copper electrolysis.

Attention!, do not place chlorine pastilles or granules on the bottom of the pool. Because of the high concentration of chlorine, copper ions will precipitate and cause discoloration.

Replacement lamp and copper unit

The UV-C lamp and the copper unit can be used over 2 swimming seasons if used 12 hours a day for 6 months a year. The UV-C lamp and the copper unit must be replaced if the figure "88" starts to blink on the Blue Lagoon UV-C Copper Ionizer display. A replacement set can be ordered from the distributor from whom you have purchased the original device. Each type of device has its own replacement set with regard to the UV-C lamp type. If you replace the UV-C lamp and the copper unit, you can reset the display by pressing the "+" and the "-" button simultaneously for 3 seconds.

Replacement set: Copper, Blue Lagoon 40 Watt lamp & test strips, article number: B200012

Replacement set: Copper, Blue Lagoon 75 Watt lamp & test strips, article number: B200013

Advantages of UV-C treatment:

- Ensures fresh, clean and clear water
- Disinfects water efficiently and safely
- Protects your pool from germs
- Keeps the formation of mould, bacteria and algae under control
- Can reduce the use of chlorine and other chemicals by 100%
- Bound chlorine is broken down by UV-C light
- More environmentally-friendly than traditional methods.

Characteristics of the Blue Lagoon UV-C Copper Ionizer:

- Enables swimming without the use of chlorine
- Up to 80% disinfection by UV-C
- Up to 20% disinfection by copper electrolysis
- 316L stainless steel housing yields up to 35% more UV-C as a result of reflection
- UV-C lamp and copper unit are sufficient for 2 swimming seasons
- Easy installation and maintenance
- 2-year guarantee with respect to manufacturing faults
- The Blue Lagoon UV-C Copper Ionizer is earthed

Safety

This device produces harmful radiation. Direct contact could jeopardise the eyes and skin. Only check the operation of the UV-C lamp via the transparent components of the unit.

- Unintended use of the device or damage to the housing may lead to the escape of hazardous UV-C radiation. Even in small doses, UV-C radiation could cause injury to the eyes and skin.
- Always insert the plug of the device into an earthed socket fitted with a protective cover.
- Always comply with the electricity company's regulations with regard to any permanent connection to the mains. If there is any doubt regarding the connection, consult a recognised electrician or the electricity company. Always work with an earth leakage current circuit-breaker (max. 30mA).
- Always remove the plug from the socket before carrying out any maintenance or repair work on the unit. Never insert the plug / pull the plug from the socket when you are standing in water or if your hands are wet.
- This device is not intended for use by persons (including children) with reduced physical, sensory or mental capabilities, or a lack of experience and know-how, unless they are under supervision or are instructed on the use of the device by a person responsible for their safety.
- Keep children away from this device and from the cable.
- The cable of the device cannot be replaced. The complete electrical unit of the device must be replaced if there is any damage to the power cable. Never remove the plug, but always leave the electrical unit intact. An electrical unit with the plug removed will no longer be covered by the guarantee.
- It is very important that the water is tested! If the copper content is too high, this could cause discoloration in your swimming pool, and to swimsuits, nails and blonde hair. If the copper content is too low, the water will not be sufficiently disinfected. Please comply with the recommended level of 0.4 to 0.7 ppm. Put a note in your telephone/agenda to make sure that you remember.
- NEVER use the Blue Lagoon UV-C Copper Ionizer in combination with a saline electrolysis system or in a salt water bath. The combination of copper and salt could result in a highly poisonous chemical reaction.
- Never submerge this device in water.
- Never install the unit in an area subject to full sunlight.
- Only install the device in a dry and well-ventilated area.
- Once the device has been switched off, the lamp will remain hot for approximately 10 minutes.
- Do not use the device if any of the components are damaged (this particularly applies to the quartz glass).
- Remove the device if there is any risk that it might freeze during the winter months.
- This product may only be used according to the guidelines described in this manual.
- If the device is used in combination with chemicals always read through the instructions for use for these products first. Please pay special attention to the safety regulations.

Installation of the earth cable (Drawing 1)

- 1 Pull the cable (B) through the strain relief (F) before fitting the synthetic strain relief (F) onto the earth bolt (A). Position the strain relief (F) at approximately 10 cm from the eye (H) of the earth cable (B).
- 2 Place the eye (H) of the cable (B) onto the earth bolt (A) that is fitted to the housing.
- 3 Then place a toothed lock washer (C), a hexagon nut (D) and another toothed lock washer (E) on top of the eye (H).
- 4 Fit the strain relief (F) on top, creating a loop of \varnothing 5 cm.
- 5 Finally place the lock nut (G) onto the earth bolt (A).
- 6 Once the various nuts have been placed onto the earth bolt (A) in the correct sequence, they can be tightened with a spanner or a ring spanner number 8. Do not tighten too firmly, otherwise you may crack the strain relief. (The transparent nut that was screwed on the earth bolt (A) on delivery has no further use, and can be discarded).

Installation of the device (Drawing 2)

Never submerge this device in water. The installation must always take place outside of the pool. Ensure that there is always water flowing through the unit when the lamp is on. The Blue Lagoon UV-C Copper Ionizer must never be installed behind the PH regulator in your swimming pool installation. The ideal location is behind the pump and the filter.

- 1 Determine where the device will be installed.
- 2 Fit the unit into the circuit using the three-part couplings (I).
- 3 Fit the supplied pipe clips (O) in fixed positions, press the unit into the pipe clips and tighten the three-part coupling (I). Ensure that there is sufficient space available (+/- 1 metre) to remove the lamp (K) / quartz glass (M) for replacement and/or to carry out maintenance.
- 4 Carefully slide the Blue Lagoon UV-C lamp into the quartz glass (M). Fit the lamp (K) into the lamp holder (L) and tighten the nut (N) onto the unit by hand.
- 5 Activate the pump and check the system with regard to flow-through and leakage. Pay attention to the correct position of the sealing rings (P), both with regard to the connections and the quartz glass (see Drawing 2).
- 6 Place the UV-C device plug into a wall socket that is fitted with a safety ground and an earth leakage current circuit-breaker (ELCB). Check that the lamp is on by looking through the transparent sections of the device.
- 7 The device will be completely switched off if the plug is removed from the socket.
- 8 Make sure to leave a free area of +/- 1 metre in order to be able to remove the lamp (K) / quartz glass (M) for the purpose of replacement and/or maintenance. There must be a minimum space of 30 cm at the bottom for the replacement of the copper unit (U).

Dismantling / Maintenance / Replacement of copper & lamp

Always switch off the power supply during maintenance/dismantling of the device. The device must be cleaned every 3 months. If there is an increase in algae and/or scale, the quartz glass tube (M) in which the lamp is positioned must be cleaned. It is possible that the copper unit becomes exhausted more quickly due to external influences. You should therefore also check the copper unit when cleaning. In the case of normal use, the special Blue Lagoon UV-C lamp and the copper unit must be replaced after 2 swimming seasons. The internal stainless steel housing can be cleaned with a soft brush.

- 1 Unscrew the three-part couplings (I) and drain the water from the device.
- 2 Unscrew the screw-cap (N) and pull it up a little, together with the lamp. Carefully remove the lamp from the lamp holder (K). When the lamp is unscrewed, pull it carefully from the quartz glass. As these parts are very fragile, and caution is essential.
- 3 Carefully remove the quartz glass (M) using a large, flat screwdriver (see Drawing 3). Never use force!
- 4 Clean the quartz glass with a suitable agent. We recommend using a cleaning agent based on citric acid. Always use a soft cloth to clean the glass in order to prevent scratches.
- 5 Pay attention to the correct position of the sealing rings (P) when replacing the quartz glass in the housing, and carefully introduce the end of the quartz glass into the inlet (Q) (see Drawing 4). Never use force!
- 6 To replace the copper unit (U) (see Drawing 3), unscrew the protective cover (R) of the connector (S) with a screwdriver and disconnect the wiring from the connector. Then unscrew the screw cap (T) at the bottom of the device. Carefully remove the copper unit using a large, flat screwdriver (see Drawing 3). Never use force! Place a new copper unit into the device and reconnect the wiring via the connector (see Drawing 5). Make sure that the colours of the cables correspond: blue with blue, brown with brown. Finally tighten the screws of the connector. Re-fit the protective connector cover. Ensure that the black casings of the two cables are inserted far enough into the connector, and screw the lid tightly back into place.
- 7 Please read through the Chapter "Installation and Dismantling" before dismantling a new housing or the electrical unit. The electrical unit of the device is situated in the display box (W) on the device. This display box is glued and cannot be opened. If the electrical unit is replaced, the entire box must be unscrewed and the wiring must be disconnected from the device (see Drawings 1 & 5). Unscrew the screw top (N) and

carefully remove the lamp holder from the lamp. Any loose parts, i.e. of the earth etc., must be carefully kept, as these are not supplied with a new housing or electrical unit. In case of doubt with regard to the connection, consult a recognised fitter.

The Blue Lagoon UV-C Copper Ionizer is available in the following types:

Blue Lagoon UV-C Copper Ionizer 40,000 litres / 40 Watt (230V; 50/60Hz) article number: B200002

Blue Lagoon UV-C Copper Ionizer 75,000 litres / 75 Watt (230V; 50/60Hz) article number: B200003

Technical specifications	40,000 l	75,000 l
• Lamp TUV UV-C	40 Watt	75 Watt
• UV-C output (W)	15 Watt	25 Watt
• Swimming pool content (L)	40,000 l	70,000 l
• Maximum throughput	20,000 l/h	25,000 l/h
• Maximum copper	0.7 ppm	0.7 ppm
• Maximum pressure	2 bar	2 bar
• Maximum temperature	50°C	50°C
• Minimum temperature	0°C	0°C
• Connection size	Ø 63 mm	Ø 63 mm
• Length of the device	100 cm	100 cm

9 STEPS FOR A “PERFECT” POOL USING AN IONIZER.

1. Shock:

If your pool is not brand new, Filter and Shock the water to 5ppm chlorine 3-5 consecutive days.

2. Balance:

Your pool should be pH balanced to 7.0- 7.6 pH. And tested weekly.

3. Total dissolved solids:

TDS should be at 750-1500 ppm.

4. Cyanuric acid (stabilizer):

Ideal range should be 0-30 ppm.

5. Total alkalinity:

Ideal range should be 80-120 ppm (usually takes care of itself if pH is balanced)

6. Calcium hardness:

Ideal range should be 225-375 ppm.

7. Install your ionizer:

Install your Ionizer following the directions of the Ionizer manufacturer.

8. Copper ion levels: (ideal range 0,4 – 0,7 ppm)

Run your Ionizer in conjunction with your pump system until you have obtained the recommended level of copper ions (takes about 2 weeks).

Adjust pool pump times and output levels of the Ionizer to continue to maintain 0,4 – 0,7 ppm copper. (a copper test kit is usually supplied with the Ionizer.)

9. Enjoy!!

Now that you have your ion levels adjusted according to your pump time, you will be able to sit back and relax enjoying your mineral-infused pool, knowing that your water has a FORMIDABLE first line of defense against Bacteria, Viruses, Fungus, Yeast, and ALL FORMS OF ALGAE.

Terms of guarantee

You made an excellent choice in selecting this product. The device has been assembled carefully and in compliance with all applicable safety regulations. For reasons of quality, the supplier has only made use of high-quality materials. The supplier provides a guarantee for the device covering material and manufacturing faults for a duration of 2 years from the date of purchase. The lamp and the quartz glass are not included in this guarantee. Claims under the guarantee can only be considered if the product is returned post-paid together with a valid purchase receipt. No claim can be made under the guarantee in the case of errors in the installation or operational, improper use, non-compliance with the safety regulations, poor maintenance, damage or in the case of unauthorised modifications. In the case of a claim under the guarantee, the supplier reserves the right to either repair the device or replace it entirely, as he sees fit. Consequential damage is excluded from the guarantee. Complaints regarding transportation damage will only be considered if the damage was established or confirmed on delivery by the carrier or the postal authorities. A claim can only be made against the carrier or the postal authorities if this has been done

Blue Lagoon UV-C Copper Ionizer 40.000 - 75.000 D

Lesen Sie diese Gebrauchsanweisung vor dem Installieren des Geräts sorgfältig durch.

Funktionsweise

Der Blue Lagoon UV-C Copper Ionizer reinigt Ihr Schwimmbadwasser durch die Kombination von Kupferelektrolyse und UV-C-Strahlung. Der Blue Lagoon UV-C Copper Ionizer wird nach dem Schwimmbadfilter am Leitungssystem angebracht. Das Schwimmbadwasser strömt durch das Gehäuse des Blue Lagoon UV-C Copper Ionizer. Im Gehäuse befinden sich eine UV-C-Lampe und eine Kupfereinheit, 'Ionizer' (Ionisator) genannt. Die Kupfereinheit gibt eine geringe Menge Kupfer an das Wasser ab, das durch das Gehäuse strömt. Die Kupferionen (Cu^{2+}) im Wasser sind positiv geladen und greifen die Zellwand von Bakterien, Viren und anderen primitiven Organismen an. Dadurch können diese keine Nahrungsstoffe mehr aufnehmen und sich nicht vermehren. Diesen Vorgang des positiven Ladens von Kupfer nennt man Kupferelektrolyse. Das Kupfer im Wasser wirkt im Schwimmbad wie ein Desinfektionspuffer, und das Ergebnis ist mit der Wirkung von Chlor vergleichbar. Die UV-C-Lampe, die sich im Blue Lagoon UV-C Copper Ionizer befindet, erzeugt UV-C-Licht. Dieses UV-C-Licht hat eine UV-C-Strahlung von 253,7 nm Wellenlänge, die dafür sorgt, dass Bakterien, Viren und andere primitive Mechanismen abgetötet werden. Aufgrund der Länge des Geräts wird das Wasser dieser hohen Strahlendosis besonders lange ausgesetzt. Die Strahlung zerstört die DNA von Bakterien, Viren und Mikroorganismen. Außerdem bewirkt die 316L-Edelstahl-Innenseite eine zusätzliche Reflexion der UV-C-Strahlung und erhöht so die Effizienz um bis zu 35%. Untersuchungen haben gezeigt, dass UV-C-Licht bis zu 80% des Schwimmbadwassers desinfiziert. Kupfer desinfiziert bis zu 20% des Schwimmbadwassers. Wenn alle Werte 100% stimmen, kann durch Kombinieren von UV-C-Licht und Kupferelektrolyse auf den Zusatz von Chemikalien verzichtet werden. Mit dem Blue Lagoon UV-C Copper Ionizer wird Ihr Wasser auf effiziente und sichere Weise desinfiziert, und die Wasserqualität bleibt hervorragend.

Einsatz

Nach dem Installieren des Blue Lagoon UV-C Copper Ionizer an Ihrem Leitungssystem schaltet sich die UV-C-Lampe gleich nach dem Einstecken des Steckers ein. Bevor Sie den Ionizer einschalten, müssen Sie erst das Wasser testen, um den aktuellen Kupferwert in Ihrem Schwimmbad zu ermitteln. Der ideale Kupferwert liegt zwischen 0,4 und 0,7 ppm. Am Teststreifen können Sie ablesen, ob der Kupfergehalt zu hoch oder zu niedrig ist. Den Ionizer schalten Sie ein, indem Sie die "+"-Taste auf dem Display (V) drücken (**siehe Zeichnung 2 und 9**). Auf dem Bildschirm erscheint in roter Leuchtschrift der eingestellte Wert für die Kupferabgabe. Dies kann eine Zahl von "0" bis "99" sein. Wenn Sie den Ionizer auf "00" stellen, ist er ausgeschaltet und gibt kein Kupfer mehr ab. Mit welcher Anfangsstellung auf dem Display Sie beginnen, richtet sich nach der Größe des Schwimmbads und dem Ergebnis des Teststreifens, mit dem Sie den ersten Wassertest ausgeführt haben. Wenn der Kupfergehalt nach dem ersten Test zu niedrig ist, erhöhen Sie den Wert mit der "+"-Taste auf dem Display zum Beispiel auf 30 oder mehr. Nach einer Woche testen Sie das Wasser wieder und erhöhen, wenn der Teststreifen immer noch einen zu geringen Kupfergehalt anzeigt, den Wert auf dem Display weiter. Wenn der Teststreifen den richtigen Wert zwischen 0,4 und 0,7 ppm anzeigt, lassen Sie den Displaywert unverändert. Wenn der Kupferwert zu hoch ist, senken Sie den Wert auf dem Display mit der "-"-Taste auf "00", so dass kein Kupfer mehr an das Wasser abgegeben wird. Wenn Sie das Wasser nach einer Woche wieder testen, sehen Sie am Ergebnis des Teststreifens, ob Sie den Ionizer wieder einschalten müssen. Indem Sie das Wasser immer wieder testen und den Displaywert nach oben oder unten anpassen, erreichen Sie schließlich den richtigen Kupfergehalt in Ihrem Schwimmbad. Alle 336 Stunden schaltet sich der Ionizer automatisch aus. Sie sehen am Gerät, dass die Zahlen auf dem Display nicht mehr aufleuchten. Die UV-C-Lampe brennt, solange sie an das Stromnetz angeschlossen ist, einfach weiter. Wenn sich der Ionizer ausgeschaltet hat, müssen Sie das Wasser mit den mitgelieferten Teststreifen testen. Sie schalten das Gerät über die "+"-Taste wieder ein. Der Wert, auf den das Display eingestellt war, bevor es automatisch ausgeschaltet wurde, erscheint wieder auf dem Display. Nach dem Einschalten des Ionizer können Sie das Display nicht mehr selbst ausschalten. Das Display schaltet sich nach 336 Stunden wieder automatisch aus. Wenn Sie sich geirrt haben oder den Ionizer nicht einschalten wollen, können Sie den Wert auf dem Display einfach auf "00" stellen.

Im ersten Gebrauchsmonat müssen Sie das Wasser jede Woche testen, bis der gewünschte Wert erreicht ist. Nach einem Monat genügt es, das Wasser alle 2 Wochen zu testen. Den pH-Wert können Sie ebenfalls mit den Teststreifen prüfen. Ein pH-Wert zwischen 7,0 und 7,6 ist der ideale Wert bei Kupferelektrolyse. Chlor können Sie auf Wunsch einsetzen, allerdings genügt eine sehr geringe Dosierung, weil der Blue Lagoon UV-C Copper Ionizer bereits eine desinfizierende Wirkung hat. Wichtig ist bei Kombination mit einem Ionisator, dass Sie nur anorganisches Chlor (als Flüssigem, Granulat, Sticks oder Tabletten) verwenden. Andere Chlorarten funktionieren nicht in Kombination mit Kupferelektrolyse. Achtung! Legen Sie Granulat oder Chlortabletten nicht auf den Boden des Schwimmbeckens. Kupferionen können sich durch die starke Chlorkonzentration absetzen und Verfärbungen verursachen.

Austauschen von Lampe und Kupfereinheit

UV-C-Lampe und Kupfereinheit halten bei einer Betriebszeit von 12 Stunden am Tag und 6 Monaten im Jahr 2 Badeperioden lang. Wenn auf dem Display des Blue Lagoon UV-C-Ionizer die Zahl "88" blinkt, müssen UV-C-Lampe und Kupfereinheit ausgetauscht werden. Einen Austausch erhalten Sie bei dem Verteiler, bei dem Sie das Gerät gekauft haben. Für jeden Gerätetyp gibt es einen eigenen Austauschsatz abhängig vom Typ der UV-C-Lampe. Wenn Sie die UV-C-Lampe und den Kupfersatz ausgetauscht haben, können Sie das Display zurücksetzen, indem Sie die "+"- und die "-"-Taste gleichzeitig 3 Sekunden eingedrückt halten.

Austauschsatz: Kupfer, Blue Lagoon-Lampe 40 Watt & Teststreifen, Artikelnummer: B200012

Austauschsatz: Kupfer, Blue Lagoon-Lampe 75 Watt & Teststreifen, Artikelnummer: B200013

Vorteile der UV-C-Behandlung:

- Sorgt für frisches, sauberes und klares Wasser
- Desinfiziert das Wasser auf effiziente und sichere Weise
- Schützt Ihr Bad vor Krankheitserregern
- Hält Schimmel-, Bakterien- und Algenbildung unter Kontrolle
- Kann den Einsatz von Chlor und anderen Chemikalien um 100% verringern
- UV-C-Licht baut gebundenes Chlor ab
- Besser für die Umwelt als herkömmliche Methoden

Eigenschaften des Blue Lagoon UV-C Copper Ionizer:

- Schwimmen ohne Chlor ist möglich
- Bis zu 80% Desinfizierung durch UV-C
- Bis zu 20% Desinfizierung durch Kupferelektrolyse
- 316L-Edelstahl-Innenverkleidung für bis zu 35% mehr UV-C-Ertrag durch Reflexion
- UV-C-Lampe und Kupfereinheit halten zwei Badeperioden lang
- Einfache Installation und Wartung
- 2 Jahre Garantie auf Herstellungsfehler
- Blue Lagoon UV-C Copper Ionizer ist geerdet

Sicherheit

Dieses Gerät erzeugt schädliche Strahlen. Direkter Kontakt kann für Augen und Haut gefährlich sein. Die Funktion der UV-C-Lampe nur über die transparenten Teile der Einheit prüfen.

- Unbeabsichtigter Einsatz des Geräts oder Beschädigungen am Gehäuse können ein Entweichen gefährlicher UV-C-Strahlung zur Folge haben. UV-C-Strahlung kann auch in kleinen Dosen für Augen und Haut schädlich sein.
- Den Gerätestecker immer in eine geerdete Steckdose mit Schutzdeckel stecken.
- Für einen permanenten Anschluss an das Stromnetz müssen die Vorschriften des Energieunternehmens erfüllt werden. Im Zweifelsfall einen anerkannten Installateur oder das Energieunternehmen zu Rate ziehen. Grundsätzlich einen Erdschlussschalter verwenden (max. 30 mA).
- Immer den Stecker aus der Steckdose ziehen, bevor Sie Wartungs- oder Reparaturarbeiten am Gerät ausführen. Den Stecker nie in die Steckdose stecken bzw. herausziehen, wenn Sie in einer Pfütze stehen oder nasse Hände haben.
- Dieses Gerät darf nicht von Personen (einschließlich Kindern) benutzt werden, die körperlich, geistig oder in der Sinneswahrnehmung eingeschränkt sind oder denen es an Wissen und Erfahrung fehlt, es sei denn, sie stehen unter Aufsicht oder werden von einer für ihre Sicherheit verantwortlichen Person angeleitet.
- Kinder von Gerät und Kabel fernhalten.
- Das Kabel dieses Geräts kann nicht ausgewechselt werden. Bei Beschädigung des Stromkabels muss der gesamte elektrische Teil des Geräts ausgetauscht werden. Den Stecker nie entfernen, sondern den elektrischen Teil unversehrt lassen. Wenn der Stecker abgeschnitten wurde, erlischt die Garantie.
- Das Testen des Wassers ist von großer Bedeutung! Ein zu hoher Kupfergehalt kann Verfärbungen an Schwimmbecken, an Schwimmbekleidung, Nägeln und blonden Haaren zur Folge haben. Ein zu niedriger Kupfergehalt kann dazu führen, dass das Wasser nicht ausreichend desinfiziert wird. Halten Sie den vorgeschriebenen Wert von 0,4 bis 0,7 ppm ein. Lassen Sie sich per Telefon an den Testtermin erinnern.
- Verwenden Sie den Blue Lagoon UV-C Copper Ionizer AUF KEINEN FALL zusammen mit einem Salzelektrolysesystem oder in einem Salzwasserbecken. Bei der Kombination von Kupfer und Salz kann es zu einer chemischen Reaktion kommen, die sehr giftig ist.
- Das Gerät auf keinen Fall unter Wasser tauchen.
- Das Gerät nicht an einer Stelle installieren, wo es der vollen Sonne ausgesetzt ist.
- Das Gerät nur in einer trockenen, gut belüfteten Umgebung installieren.
- Nach Ausschalten des Geräts bleibt die Lampe noch ca. 10 Minuten warm.
- Wenn Teile (insbesondere das Quarzglas) beschädigt sind, darf das Gerät nicht benutzt werden.
- Bei Einfriergefahr in den Wintermonaten das Gerät entfernen.
- Dieses Produkt darf nur den in dieser Gebrauchsanweisung beschriebenen Richtlinien entsprechend eingesetzt werden.
- Bei Verwendung in Kombination mit Chemikalien, immer die Gebrauchsanweisung zu diesem Produkt lesen. Besondere Aufmerksamkeit ist den Sicherheitsvorschriften zu widmen.

Installation des Massekabels (Zeichnung 1)

- 1 Bevor Sie die Kunststoff-Zugentlastung (F) am Massebolzen (A) anbringen, müssen Sie erst das Kabel (B) durch die Zugentlastung (F) ziehen. Die Zugentlastung (F) in ca. 10 cm Abstand zu Öse (H) des Massekabels (B) anbringen.
- 2 Die Öse (H) von Kabel (B) über Massebolzen (A) anbringen, der am Gehäuse befestigt ist.
- 3 Abschließend eine Spanscheibe (C), Sechskantmutter (D) und noch eine Spanscheibe (E) an der Öse (H) anbringen.
- 4 Zugentlastung (F) darauf befestigen, so dass eine Schleife von Ø 5 cm entsteht.
- 5 Zuletzt die Sicherungsmutter (G) an Erdbolzen (A) anbringen.
- 6 Wenn alle Muttern in der richtigen Reihenfolge an Massebolzen (A) angebracht wurden, kann dieser mit einem 8er Steck- oder Ringschlüssel festgezogen werden. Ziehen Sie den Bolzen nicht zu fest an, weil sonst die Zugentlastung reißen kann. (Die transparente Mutter, die bei Lieferung auf den Massebolzen (A) geschraubt ist, hat keine weitere Funktion und kann weggeworfen werden.

Installation des Geräts (Zeichnung 2)

Das Gerät auf keinen Fall unter Wasser tauchen. Das Gerät immer außerhalb des Schwimmbads installieren. Dafür sorgen, dass immer Wasser durch die Einheit strömt, wenn die Lampe brennt. Der Blue Lagoon UV-C Copper Ionizer darf auf keinen Fall nach dem pH-Regler an Ihrer Schwimmbadanlage angeordnet werden. Der ideale Platz ist nach Pumpe und Filter.

- 1 Die Stelle bestimmen, an der das Gerät installiert werden soll.
- 2 Die Einheit mit den dreiteiligen Kupplungen (I) im Kreis anbringen.
- 3 Die mitgelieferten Rohrschellen (O) an einer festen Stelle anbringen, die Einheit in den Rohrschellen befestigen und die dreiteilige Kupplung (I) festziehen. Dafür sorgen, dass genug Platz bleibt (ca. 1 Meter), um Lampe (K)/Quarzglas (M) zu entfernen (für Austausch und/oder Wartung).
- 4 Die Blue Lagoon UV-C-Lampe vorsichtig in das Quarzglas (M) schieben. Die Lampe (K) in Lampenfassung (L) befestigen und Mutter (N) handfest auf der Einheit anziehen.
- 5 Die Pumpe in Betrieb setzen und das System auf Durchfluss und Dichtheit prüfen. Dabei auf die richtige Position der Dichtringe (P) sowohl bei den Anschlüssen als auch dem Quarzglas achten (**siehe Zeichnung 2**).
- 6 Den Stecker des UV-C-Geräts in eine Schukosteckdose mit Erdschlussschalter stecken. Durch die transparenten Teil des Geräts prüfen, ob die Lampe brennt.
- 7 Um das Gerät ganz auszuschalten, ziehen Sie den Stecker aus der Steckdose.
- 8 Dafür sorgen, dass ca. 1 Meter Platz bleibt, um Lampe (K)/Quarzglas (M) zu entfernen (für Austausch und/oder Wartung). Unten muss mindestens 30 cm Platz bleiben, um die Kupfereinheit (U) auszutauschen.

Demontage / Wartung / Austauschen von Kupfereinheit und Lampe

Bei Demontage/Wartung des Geräts grundsätzlich erst die Stromzufuhr ausschalten. Das Gerät muss alle 3 Monate gereinigt werden. Wenn Algenwachstum und/oder Kalkablagerungen zunehmen, muss die Quarzglasröhre (M), in der die Lampe steckt, gereinigt werden.. Die Kupfereinheit kann sich durch Einflüsse von außen schneller verbrauchen. Deshalb beim Reinigen immer auch die Kupfereinheit prüfen. Die Blue Lagoon UV-C-Speziallampe und die Kupfereinheit müssen bei normalem Einsatz nach zwei Badeperioden ausgetauscht werden. Die Edelstahl-Innenverkleidung kann mit einer weichen Bürste gereinigt werden.

- 1 Die dreiteiligen Kupplungen (I) lösen und das Wasser aus dem Gerät strömen lassen.
- 2 Schraubdeckel (N) losschrauben und mit der Lampe ein Stück nach oben ziehen. Die Lampe vorsichtig aus der Lampenfassung (K) lösen. Nach dem Lösen der Lampe diese vorsichtig aus dem Quarzglas ziehen. Vorsicht ist geboten, weil es sich hier um sehr empfindliche Teile handelt.
- 3 Mit einem großen flachen Schraubenzieher das Quarzglas (M) vorsichtig entfernen (**siehe Zeichnung 3**). Auf keinen Fall gewaltsam vorgehen!
- 4 Das Quarzglas mit einem geeigneten Mittel reinigen. Wir empfehlen ein Reinigungsmittel auf der Grundlage von Zitronensäure. Zum Reinigen des Quarzglases immer ein weiches Tuch verwenden und Kratzer vermeiden.
- 5 Beim Wiedereinsetzen des Quarzglases in das Gehäuse auf die richtige Lage der Dichtringe (P) achten und das Ende des Quarzglases vorsichtig in das Aufnahmeteil (Q) schieben. Auf keinen Fall gewaltsam vorgehen!
- 6 Zum Auswechseln der Kupfereinheit (U) (**siehe Zeichnung 3**) mit einem Schraubenzieher die Schutzkappe (R) von Lüsterklemme (S) aufschrauben und die Verkabelung aus der Lüsterklemme lösen. Anschließend Schraubdeckel (T) an der Unterseite des Geräts losschrauben. Mit einem großen flachen Schraubenzieher die Kupfereinheit vorsichtig entfernen (**siehe Zeichnung 3**). Auf keinen Fall gewaltsam vorgehen! Anschließend eine neue Kupfereinheit in das Gerät einsetzen und die Verkabelung wieder über die Lüsterklemme anschließen (**siehe Zeichnung 5**). Darauf achten, dass die Farben der Kabel übereinstimmen: blau zu blau und braun zu braun. Zum Schluss die kleinen Schrauben der Lüsterklemme festziehen. Die Schutzkappe wieder an der Lüsterklemme anbringen. Prüfen, ob der schwarze Mantel beider Kabelteile weit genug im Verbindungsstück sitzt und den Deckel festschrauben.
- 7 Beim Demontieren eines neuen Gehäuses oder elektrischen Teils erst den Abschnitt Installation und Demontage lesen. Der elektrische Teil des Geräts befindet sich im Displaygehäuse (W) am Gerät. Das Displaygehäuse ist geklebt und kann nicht geöffnet werden. Zum Auswechseln

des elektrischen Teils muss das ganze Gehäuse losgeschraubt und die Verkabelung vom Gerät gelöst werden (**siehe Zeichnung 1 und 5**). Schraubdeckel (N) losschrauben und die Lampenfassung vorsichtig von der Lampe lösen. Die verschiedenen Einzelteile, z.B. für die Erdung, immer gut aufbewahren. Diese Teile werden nicht mit einem neuen Gehäuse oder elektrischen Teil mitgeliefert. Im Zweifelsfall für den Anschluss einen anerkannten Installateur hinzuziehen.

Der Blue Lagoon UV-C Copper Ionizer ist in folgenden Ausführungen erhältlich:

Blue Lagoon UV-C Copper Ionizer 40.000 Liter / 40 Watt (230V; 50/60Hz), Artikelnummer: B200002

Blue Lagoon UV-C Copper Ionizer 75.000 Liter / 75 Watt (230V; 50/60Hz), Artikelnummer: B200003

Technische Daten	40.000 Liter	75.000 Liter
• Lampe TUV UV-C	40 Watt	75 Watt
• UV-C-Leistung (W)	15 Watt	25 Watt
• Schwimmbadinhalt (Liter)	40,000 Liter	70,000 Liter
• Maximaler Durchfluss	20,000 l/h	25,000 l/h
• Maximaler Kupferwert	0.7 ppm	0.7 ppm
• Maximaler Druck	2 bar	2 bar
• Maximale Temperatur	50°C	50°C
• Minimale Temperatur	0°C	0°C
• Anschlussformat	Ø 63 mm	Ø 63 mm
• Länge des Geräts	100 cm	100 cm

IN 9 SCHRITTEN ZUM 'PERFEKTEN' SCHWIMMBAD DURCH EINSATZ EINES IONIZERS

1. Schockchlorung

Wenn Ihr Schwimmbad nicht mehr brandneu ist, filtern Sie das Wasser und führen eine Schockchlorung mit 5 ppm Chlor an 3 bis 5 aufeinanderfolgenden Tagen durch.

2. Balance

Ihr Schwimmbad muss einen ausgeglichenen pH-Wert zwischen 7,0 und 7,6 haben; jede Woche testen!

3. Total gelöste Stoffe

Der TDS-Gehalt muss zwischen 750 und 1500 ppm liegen.

4. Zyansäure

Der ideale Gehalt liegt zwischen 0 und 30 ppm.

5. Gesamt-Alkanität

Die idealen Werte liegen zwischen 80 und 120 ppm. (Werden normalerweise bei einem ausgeglichenen pH-Wert gemessen.)

6. Kalziumhärte

Die idealen Werte liegen zwischen 225 und 375 ppm.

7. Installieren Ihres Ionizers

Installieren Sie Ihren Ionizer, wie in der Gebrauchsanweisung beschrieben.

8. Kupfergehalt (0,4 – 0,7 ppm)

Lassen Sie Ionizer und Pumpe gleichzeitig laufen, bis der empfohlene Kupfergehalt erreicht ist (dies dauert ca. 2 Wochen). Stellen Sie den Ionizer so ein, dass der ideale Kupfergehalt von 0,4 bis 0,7 ppm erhalten bleibt. Sie können dies mit den mitgelieferten Teststreifen testen.

9. Genießen!

Wenn der richtige Kupfergehalt erreicht ist, können Sie Ihren Pool so richtig genießen! Bei bester Wasserqualität sind Sie vor Bakterien, Viren, Schimmel und jeder Art von Algen geschützt.

Garantiebedingungen

Mit diesem Produkt haben Sie eine ausgezeichnete Wahl getroffen. Das Gerät wurde mit Sorgfalt und unter Beachtung aller geltenden Sicherheitsvorschriften montiert. Aus Qualitätsgründen hat der Lieferant nur hochwertige Materialien verwendet. Der Lieferant gewährt für das Gerät ab dem Kaufdatum zwei Jahre Garantie auf Material- und Herstellungsfehler. Lampe und Quarzglas sind von der Garantie ausgeschlossen. Garantiefälle können nur bearbeitet werden, wenn das Produkt portofrei zusammen mit einem gültigen Kaufnachweis eingeschickt wird. Bei Installations- und Bedienungsfehlern, unsachgemäßem Gebrauch, Nichtbeachtung von Sicherheitsvorschriften, mangelhafter Wartung, Beschädigungen sowie der Durchführung technischer Veränderungen kann kein Garantieanspruch erhoben werden. Der Lieferant behält sich das Recht vor, das Gerät im Garantiefall nach eigener Entscheidung zu reparieren oder als Ganzes auszutauschen. Folgeschäden sind von der Garantie ausgeschlossen. Reklamationen aufgrund von Transportschäden können nur angenommen werden, wenn die Beschädigung bei der Lieferung durch die Spedition oder das Postunternehmen festgestellt oder bestätigt wird. Nur dann ist es möglich, die Spedition oder das Postunternehmen haftbar zu machen.

Ioniseur Blue Lagoon UV-C 40.000 - 75.000

F

Avant d'installer cet appareil, lire attentivement cette notice d'utilisation.

Fonctionnement

L'ioniseur Blue Lagoon UV-C purifie l'eau de votre piscine au moyen de l'électrolyse cuivre en combinaison avec du rayonnement UV-C. L'ioniseur Blue Lagoon UV-C est monté dans le système de conduite en aval du filtre de piscine. L'eau de la piscine s'écoule à travers le logement de l'ioniseur Blue Lagoon UV-C. Ce logement comporte une lampe UV-C et une unité cuivre, appelée Ioniseur. L'unité cuivre libère une petite quantité de cuivre dans l'eau qui s'écoule à travers le logement. Ces ions de cuivre (Cu^{2+}) dans l'eau présentent une charge positive et attaquent la paroi cellulaire des bactéries, virus et autres organismes primitifs. Etant donné que la paroi cellulaire est endommagée, ces organismes ne peuvent plus absorber de nutriments et sont donc incapables de se multiplier. Ce processus de charge positive par le cuivre s'appelle l'électrolyse cuivre. Le cuivre dans l'eau agit en tant que tampon désinfectant dans votre piscine et son résultat est comparable à l'effet du chlore. La lampe UV-C dans le Blue Lagoon UV-C génère de la lumière UV-C. Cette dernière présente un rayonnement UV-C d'une longueur d'onde de 253,7 nm, qui détruit les bactéries, les virus et les autres organismes primitifs. Vu la longueur de l'appareil, l'eau est exposée durant un temps prolongé à cette forte dose de rayonnement, qui détruit l'ADN des bactéries, des virus et des micro-organismes. La section intérieure 316L en acier inoxydable assure une réflexion supplémentaire du rayonnement UV-C, ce qui autorise un gain d'efficacité jusqu'à 35%. D'après des études, la lumière UV-C désinfecte jusqu'à 80% de l'eau de la piscine, tandis que le cuivre en désinfecte jusqu'à 20%. A condition que toutes les valeurs soient correctes à 100%, l'UV-C en combinaison avec l'électrolyse cuivre permet de nager sans produits chimiques. Grâce à l'ioniseur Blue Lagoon UV-C, votre eau est désinfectée de manière efficace et sûre et la qualité de votre eau reste excellente.

Utilisation

Après installation de l'ioniseur Blue Lagoon UV-C dans le système de conduite, la lampe UV-C est activée dès le branchement de la fiche dans la prise de courant. Avant d'activer l'ioniseur, il convient de tester l'eau afin de connaître la valeur cuivre actuelle dans votre piscine. L'équilibre de cuivre idéal est compris entre 0,4 et 0,7 ppm. La languette de test permet de voir si la teneur en cuivre est trop élevée ou trop basse.

L'ioniseur est activé en appuyant sur le bouton "+" de l'affichage (V) (voir figures 2 & 9). Le taux de libération de cuivre s'affiche en rouge sur l'écran. Ce chiffre peut être compris entre "00" et "99". Lorsque l'ioniseur est mis sur "00", il est désactivé et aucune particule de cuivre n'est libérée. Le réglage initial dépend de la taille de la piscine et du résultat indiqué par la languette du premier test de l'eau. Si, après le premier test, la teneur en cuivre est trop basse, augmenter l'affichage à 30 ou plus par exemple au moyen du bouton. Après une semaine, tester à nouveau l'eau et, si la languette de test indique toujours une valeur en cuivre basse, augmenter encore le réglage sur l'affichage. Si la languette de test indique la valeur correcte comprise entre 0,4 et 0,7 ppm, ne rien modifier sur l'affichage. Si la valeur en cuivre est trop élevée, régler l'affichage à "00" avec le bouton "-", de sorte à arrêter la libération de cuivre dans l'eau. Lors d'un nouveau test après une semaine, le résultat sur la languette de test indique si l'ioniseur peut à nouveau être activé. La répétition des tests et l'augmentation ou la diminution du réglage sur l'affichage permettent de trouver en fin de compte l'équilibre en cuivre correct pour la piscine en question.

Toutes les 336 heures, l'ioniseur se désactive automatiquement. Dans ce cas, les chiffres sur l'affichage ne sont plus allumés. Tant que le courant est branché, la lampe UV-C reste en fonction. Lorsque l'ioniseur est désactivé, il est impératif de tester l'eau au moyen des languettes de test livrées. L'appareil se remet en fonction au moyen du bouton "+". Le réglage qui figurait sur l'affichage avant la désactivation automatique de l'appareil s'affiche à nouveau. Après l'activation de l'ioniseur, il est impossible de désactiver soi-même l'affichage. L'affichage se désactive à nouveau automatiquement après 336 heures. En cas d'erreur ou si l'ioniseur ne doit pas être activé, régler tout simplement l'affichage sur "00". Lors du premier mois d'utilisation, il faut tester l'eau de la piscine chaque semaine jusqu'à avoir trouvé l'équilibre souhaité. Après un mois, procéder à un test 1 fois toutes les 2 semaines. La valeur PH peut aussi être mesurée au moyen des languettes de test. Une valeur PH comprise entre 7,0 – 7,6 est idéale en combinaison avec l'électrolyse cuivre.

Le cas échéant, il est possible d'utiliser du chlore. Bien entendu, la dose de chlore peut être extrêmement faible étant donné que l'ioniseur Blue Lagoon UV-C a déjà une action désinfectante. Il est important de toujours utiliser du chlore anorganique (sous forme de granulés, liquide, sticks ou pastilles) en combinaison avec un ioniseur. D'autres sortes de chlore n'agissent pas en combinaison avec l'électrolyse cuivre.

Attention ! Ne déposez pas de granulés ou de tablettes de chlore au fond de votre piscine. En cas de forte concentration de chlore, les ions de cuivre peuvent précipiter et entraîner une décoloration.

Remplacement de la lampe et de l'unité cuivre

La lampe UV-C et l'unité cuivre agissent durant 2 saisons de baignade en cas d'utilisation de 12 heures par jour pendant 6 mois par an. Lorsque le chiffre "88" clignote sur l'affichage de l'ioniseur Blue Lagoon UV-C, il convient de remplacer la lampe UV-C et l'unité cuivre. Pour un kit de remplacement, s'adresser au revendeur de l'appareil. Chaque type d'appareil a son propre kit de remplacement en fonction du type de lampe UV-C. Lorsque la lampe UV-C et l'unité cuivre ont été remplacées, réinitialiser l'affichage en appuyant simultanément sur les boutons "+" et "-" durant 3 secondes.

Kit de remplacement : Cuivre, lampe Blue Lagoon 40 watts & languettes de test, référence : B200012

Kit de remplacement : Cuivre, lampe Blue Lagoon 75 watts & languettes de test, référence : B200013

Avantages du traitement UV-C:

- Garantit une eau fraîche, propre et limpide
- Désinfecte l'eau de manière efficace et sûre
- Protège votre piscine contre les germes pathogènes
- Maîtrise la formation des moisissures, des bactéries et des algues
- Peut réduire de 100% l'utilisation de chlore et d'autres produits chimiques
- La lumière UV-C brise les liaisons chlorées
- Ménage l'environnement en comparaison avec les méthodes classiques

Propriétés de l'ioniseur Blue Lagoon UV-C:

- Possibilité de nager sans chlore
- Désinfection jusqu'à 80% grâce à l'UV-C
- Désinfection jusqu'à 20% grâce à l'électrolyse cuivre
- Section intérieure 316L en acier inoxydable avec un rendement jusqu'à 35% supérieur grâce à la réflexion
- Lampe UV-C et unité cuivre présentent une longévité de 2 saisons de baignade
- Installation et entretien aisés
- 2 ans de garantie sur les vices de fabrication
- L'ioniseur Blue Lagoon UV-C est doté d'une mise à la terre

Sécurité

Cet appareil produit un rayonnement nocif. Un contact direct peut entraîner des lésions aux yeux et à la peau. Par conséquent, contrôler le fonctionnement de la lampe UV exclusivement par le biais des pièces transparentes de l'unité.

- Une utilisation à mauvais escient de l'appareil ou l'endommagement du corps peut entraîner la diffusion de rayonnement UV-C dangereux. Le rayonnement UV-C peut, même à faibles doses, entraîner des lésions aux yeux et à la peau.
- Toujours insérer la fiche de l'appareil dans une prise avec mise à la terre dotée d'un clapet de fermeture.
- En cas de branchement permanent au réseau électrique, il faut satisfaire aux prescriptions du fournisseur d'énergie. En cas de doute concernant le branchement, consulter un installateur agréé ou le fournisseur d'énergie. Toujours utiliser une mise à la terre (max 30 mA).
- Toujours retirer la fiche de la prise murale avant de procéder à des travaux d'entretien ou de réparation sur l'appareil. Ne jamais insérer/retirer la fiche de la prise murale avec les pieds dans une flaque d'eau ou les mains mouillées.
- Cet appareil n'est pas conçu pour être utilisé par des personnes (y compris des enfants) aux capacités corporelles, sensorielles ou mentales amoindries, ou ne disposant pas de l'expérience ou des connaissances requises, sauf si elles sont sous la supervision ou reçoivent des instructions concernant l'utilisation de l'appareil d'une personne responsable de leur sécurité.
- Maintenir les enfants à distance de cet appareil et du câble électrique.
- Le câble de cet appareil n'est pas remplaçable. En cas de dommage au câble de courant, il faut remplacer la section électrique complète de l'appareil. Ne jamais déposer la fiche, mais laisser la section électrique intacte. Une section électrique avec fiche coupée n'est pas couverte par la garantie.
- Il est impératif de tester l'eau ! Une teneur en cuivre trop élevée peut entraîner des décolorations de la piscine, des maillots de bain, des ongles et des cheveux blonds. Une teneur en cuivre trop basse peut induire une désinfection insuffisante de l'eau. Respecter l'équilibre prescrit compris entre 0,4 et 0,7 ppm. Pour éviter d'oublier de tester l'eau, régler un rappel dans un téléphone portable.
- Ne JAMAIS utiliser l'ioniseur Blue Lagoon UV-C en combinaison avec un système d'électrolyse saline ou dans une piscine d'eau salée. La combinaison de cuivre et de sel peut entraîner une réaction chimique très toxique.
- Ne jamais immerger l'appareil.
- Ne jamais placer l'appareil en plein soleil.
- Toujours installer l'appareil dans un local sec et bien ventilé.
- Après la mise hors fonction de l'appareil, la lampe reste encore chaude pendant environ 10 minutes.
- En cas d'endommagement de pièces (surtout du verre de quartz), ne pas utiliser l'appareil.
- En cas de risque de gel en hiver, mettre l'appareil à l'abri.
- Ce produit doit exclusivement être utilisé conformément aux directives reprises dans ce manuel.
- En cas d'utilisation avec des produits chimiques, toujours lire attentivement le mode d'emploi du produit en question. Il convient d'accorder une attention toute particulière aux consignes de sécurité.

Installation du câble de mise à la terre (Figure 1)

1 Avant de monter le serre-câble plastique (F) sur la vis de mise à la terre (A), il faut tirer le câble (B) à travers le serre-câble (F). Placer le serre-câble (F) à environ 10 cm de l'oeil (H) du câble de mise à la terre (B).

2 Placer l'oeil (H) du câble (B) sur la vis de mise à la terre (A) fixée sur le logement.

- 3 Placer ensuite une bague de retenue dentée (C), un écrou six-pans (D) et à nouveau une bague de retenue dentée (E) sur l'oeil (H).
- 4 Fixer le serre-câble (F) sur ces pièces de sorte à constituer une boucle de Ø 5cm.
- 5 Placer en dernier lieu l'écrou-frein (G) sur la vis de mise à la terre (A).
- 6 Lorsque les divers écrous sont placés dans l'ordre correct sur la vis de mise à la terre (A), ils peuvent être serrés au moyen d'une clé à fourche ou polygonale numéro 8. Ne pas serrer excessivement, sinon le serre-câble pourrait se fissurer. (L'écrou transparent vissé sur la vis de mise à la terre (A) à la livraison n'a aucune fonction et peut être mis au rebut).

Installation de l'appareil (Figure 2)

Ne jamais immerger cet appareil. Toujours l'installer à l'extérieur de la piscine. Veiller à ce que de l'eau circule toujours à travers l'unité lorsque la lampe est allumée. Il est interdit de placer l'ioniseur Blue Lagoon UV-C en aval du régulateur de PH de la piscine. L'emplacement idéal est en aval de la pompe et du filtre.

- 1 Déterminer la position souhaitée de l'appareil.
- 2 Monter l'unité dans le circuit au moyen des raccords trois pièces (I).
- 3 Monter les pinces de tube (O) à un endroit ferme, fixer l'unité dans les pinces de tube et serrer le raccord trois pièces (I). Veiller à laisser suffisamment de place (+/- 1 mètre) pour pouvoir procéder au remplacement/à l'entretien de la lampe (K)/ du verre de quartz (M).
- 4 Glisser avec précaution la lampe Blue Lagoon UV-C dans le verre de quartz (M). Fixer la lampe (K) dans le culot (L) et serrer à la main l'écrou (N) sur l'unité.
- 5 Activer la pompe et s'assurer que l'eau circule dans le système et qu'il n'y a pas de fuites. Dans ce cadre, prêter attention au positionnement correct des bagues d'étanchéité (P) tant à l'endroit des raccords que du verre de quartz (voir figure 2).
- 6 Insérer la fiche de l'appareil UV-C dans une prise murale avec mise à la terre et dotée d'un interrupteur de défaut de terre. S'assurer que la lampe est allumée par le biais des pièces transparentes de l'appareil.
- 7 Pour désactiver complètement l'appareil, retirer la fiche de la prise murale.
- 8 Veiller à laisser un espace de +/- 1 mètre pour pouvoir procéder au remplacement/à l'entretien de la lampe (K)/ du verre de quartz (M). Et prévoir un espace d'au moins 30 cm à la partie inférieure pour le remplacement de l'unité cuivre (U).

Démontage / Entretien / Remplacement cuivre et lampe

Lors du démontage/de l'entretien de l'appareil, toujours couper l'alimentation de courant. L'appareil doit être nettoyé tous les 3 mois. Lorsque la croissance des algues et/ou l'entartrage augmente, il faut nettoyer le tube en verre de quartz (M) dans lequel la lampe est insérée. Des agents extérieurs peuvent accélérer le vidage de l'unité cuivre. Par conséquent, contrôler également l'unité cuivre lors du nettoyage. En cas d'utilisation normale, la lampe spéciale Blue Lagoon UV-C et l'unité cuivre doivent être remplacées après 2 saisons de baignade. La section intérieure en acier inoxydable se nettoie avec une brosse douce.

- 1 Desserrer les raccords trois pièces (I) et laisser s'écouler l'eau hors de l'appareil.
- 2 Dévisser le couvercle (N) et le tirer légèrement vers le haut avec la lampe. Détacher avec précaution la lampe du culot (K). Lorsque la lampe est détachée, la retirer avec précaution du verre de quartz. Faire preuve de précaution étant donné que ces pièces sont très fragiles.
- 3 Déposer avec précaution le verre de quartz (M) au moyen d'un grand tournevis plat (voir figure 3). Ne jamais forcer !
- 4 Nettoyer le verre de quartz avec un produit approprié. Nous recommandons un produit de nettoyage sur base d'acide citrique. Toujours utiliser un chiffon doux pour nettoyer le verre, éviter toute rayure.
- 5 Lors de la pose du verre de quartz dans le logement, veiller au positionnement correct des bagues d'étanchéité (P) et glisser avec précaution l'extrémité du verre de quartz dans la pièce de serrage (Q) (voir figure 4). Ne jamais forcer !
- 6 Pour le remplacement de l'unité cuivre (U) (voir figure 3), dévisser le capuchon (R) du raccord (S) avec un tournevis et détacher le câblage du raccord. Ensuite, dévisser le couvercle (T) à la partie inférieure de l'appareil. Déposer avec précaution l'unité cuivre au moyen d'un grand tournevis plat (voir figure 3). Ne jamais forcer ! Placer une nouvelle unité cuivre dans l'appareil et brancher à nouveau le câblage sur le raccord (voir figure 5). Veiller à ce que les couleurs de câbles correspondent : bleu avec bleu, brun avec brun. Serrer les petites vis du raccord. Poser à nouveau le capuchon du raccord. Contrôler si la gaine noire des deux sections de câble se trouve assez profondément dans la pièce de raccord et serrer le couvercle.
- 7 Lors du démontage d'un logement neuf ou de la section électrique, prière de lire au préalable le chapitre Installation et Démontage. La section électrique de l'appareil se trouve dans le boîtier de l'affichage (W) sur l'appareil. Ce boîtier de l'affichage est collé et impossible à ouvrir. Lors du remplacement de la section électrique, il faut dévisser le boîtier complet et détacher le câblage de l'appareil (voir figures 1 & 5). Dévisser le couvercle (N) et détacher avec précaution le culot de la lampe. Veiller à conserver les diverses pièces telles que la mise à la terre, etc. Celles-ci ne sont pas livrées avec un logement neuf ou une section électrique neuve. En cas de doute concernant le branchement, consulter un installateur agréé.

Les types suivants d'ioniseur Blue Lagoon UV-C sont disponibles:

Ioniseur Blue Lagoon UV-C 40.000 litres / 40 watts (230V ; 50/60Hz), référence : B200002

Ioniseur Blue Lagoon UV-C 75.000 litres / 75 watts (230V ; 50/60Hz), référence : B200003

Caractéristiques techniques	40.000 L	75.000 L
• Lampe TUV UV-C	40 watts	75 watts
• Puissance UV-C (W)	15 watts	25 watts
• Capacité de la piscine (L.)	40.000 L	70.000 L
• Débit maximal	20.000 l/h	25.000 l/h
• Cuivre maximal	0,7 ppm.	0,7 ppm
• Pression maximale	2 bar	2 bar
• Température maximale	50°C	50°C
• Température minimale	0°C	0°C
• Diamètre du branchement	Ø 63 mm	Ø 63 mm
• Longueur de l'appareil	100 cm	100 cm

9 ÉTAPES POUR UNE PISCINE « PARFAITE » AVEC L'IONISEUR.

1. Choc

Lorsque votre piscine n'est pas flambant neuve, filtrez votre eau et assainissez-la en injectant 5 ppm de chlore durant 3 à 5 jours successifs.

2. Equilibre

Votre piscine doit présenter un taux de pH compris entre 7,0 et 7,6. Procédez à un test hebdomadaire.

3. Total des substances dissoutes

Ce taux doit être compris entre 750 et 1500 ppm.

4. Acide cyanurique

Le taux idéal se situe entre 0 et 30 ppm.

5. Alcalinité totale

Les valeurs idéales sont comprises entre 80 et 120 ppm. (Elles sont normalement obtenues lorsque le taux de pH est équilibré).

6. Dureté calcique

Les valeurs idéales sont situées entre 225 et 375 ppm.

7. Installation de votre Ioniseur

Installez votre Ioniseur comme décrit dans le mode d'emploi.

8. Niveau de cuivre (0,4 – 0,7 ppm)

Faites fonctionner votre Ioniseur avec votre pompe jusqu'à ce que le niveau de cuivre recommandé soit atteint (cela prend environ 2 semaines). Réglez votre Ioniseur de telle sorte que le niveau de cuivre reste compris entre 0,4 et 0,7 ppm. Procédez à des tests avec les languettes livrées.

9. Profitez pleinement de votre piscine !

Maintenant que le niveau de cuivre est correct, vous pouvez profiter pleinement de votre piscine, car vous savez que votre eau est de la meilleure qualité, protégée contre les bactéries, les virus, les moisissures et toutes sortes d'algues.

Conditions de garantie

Ce produit constitue un excellent choix. L'appareil a été assemblé avec soin et conformément à toutes les prescriptions de sécurité en vigueur. Pour garantir la qualité, le fournisseur a utilisé exclusivement des matériaux de qualité supérieure. Le fournisseur accorde une garantie de 2 ans sur les vices de matériaux et de fabrication à compter de la date d'achat. La lampe, le verre de quartz sont exclus de la garantie. Les demandes de garantie ne sont traitées que si le produit a été renvoyé franc de port et accompagné d'un titre d'achat valable. Nous rejetons expressément toute demande de garantie suite à des erreurs d'installation et de commande, à une utilisation inexperte, au non respect des prescriptions de sécurité, à un entretien négligent, à des dommages, ainsi qu'à la réalisation de modifications techniques. En cas de demande de garantie, le fournisseur se réserve le droit soit de réparer l'appareil soit de le remplacer dans sa totalité, à son gré. Les dommages consécutifs ne sont pas couverts par la garantie. Les réclamations relatives à des dommages dus au transport sont uniquement acceptées si le dommage a été constaté ou confirmé à la réception de la livraison par l'expéditeur ou les postes. Dans ce seul cas, il est possible d'invoquer la responsabilité de l'expéditeur ou des postes.

Blue Lagoon UV-C Copper Ionizer 40.000 - 75.000 NL

Leest u voor het installeren van dit apparaat eerst zorgvuldig deze gebruiksaanwijzing.

Werking

De Blue Lagoon UV-C Copper Ionizer reinigt uw zwembadwater door middel van koperelektrolyse in combinatie met UV-C straling. De Blue Lagoon UV-C Copper Ionizer wordt na de zwembadfilter op het leiding systeem geplaatst. Het zwembadwater stroomt door de behuizing van de Blue Lagoon UV-C Copper Ionizer. Binnen de behuizing bevinden zich een UV-C lamp en een koperunit, Ionizer genaamd. Aan het water dat door de behuizing stroomt, geeft de koperunit een beetje koper af. Deze koperionen (Cu^{2+}) in het water zijn positief geladen en tasten de celwand van bacteriën, virussen en andere primitieve organismen aan. Doordat de celwand aangetast is kunnen ze geen voedingsstoffen meer opnemen en daardoor kunnen ze zich niet vermenigvuldigen. Dit proces van koper positief laden noemt men koperelektrolyse. Het koper in het water werkt als een desinfectiebuffer in je zwembad en is qua resultaat te vergelijken met het effect van chloor. De UV-C lamp die zich in de Blue Lagoon UV-C Copper Ionizer bevindt, genereert UV-C licht. Dit UV-C licht heeft een UV-C straling van 253,7 nm golflengte die er voor zorgt dat bacteriën, virussen en andere primitieve organismen gedood worden. Door de lengte van het apparaat wordt het water extra lang blootgesteld aan deze hoge dosis straling. De straling vernietigt het DNA van bacteriën, virussen en micro-organismen. De 316L RVS binnenzijde zorgt voor extra reflectie van de UV-C straling waardoor de efficiency tot 35% wordt vergroot.

Het is uit onderzoek gebleken dat UV-C licht tot 80% van het zwembadwater desinfecteert. Koper desinfecteert tot 20% van het zwembadwater. Mits alle waarden 100% kloppen maakt UV-C gecombineerd met koperelektrolyse het mogelijk om te zwemmen zonder chemicaliën. Dankzij de Blue Lagoon UV-C Copper Ionizer zal uw water op een efficiënte en veilige wijze worden gedesinfecteerd en behoudt u een uitstekende waterkwaliteit.

Gebruik

Na installatie van de Blue Lagoon UV-C Copper Ionizer op uw leiding systeem schakelt de UV-C lamp direct na het insteken van de stekker in het stopcontact aan. Voor dat u de Ionizer inschakelt, moet u eerst het water testen om er achter te komen wat de huidige koperwaarde in uw zwembad is. De ideale koper balans ligt tussen de 0,4 en de 0,7 ppm. Aan de teststrip kunt u aflezen of dat het koper gehalte te hoog of te laag is. De Ionizer schakelt u aan door op de "+" knop van de display (**zie tekening 2 & 9**) te drukken. Op het beeldscherm verschijnt in het rood de stand van de koperafgifte. Dit kan een getal van "0" tot "99" zijn. Wanneer u de ionizer op "00" zet, staat de ionizer uit en geeft hij geen koper meer af. De eerst beginstand van de display om mee te starten is afhankelijk van de grootte van het zwembad en het resultaat van de teststrip waarmee u de eerste watertest heeft gedaan. Indien na de eerste test het koper gehalte te laag ligt verhoogt u met de "+" knop de display op bijvoorbeeld 30 of hoger. U test na een week opnieuw het water en indien de teststrip nog steeds een lage koperwaarde aangeeft verhoogt u de stand van de display. Indien de teststrip de juiste waarde van 0,4 tot 0,7 ppm heeft hoeft u niets aan de display te veranderen. Wanneer de koper waarde te hoog is verlaagt u de display naar "00" met de "-" knop zodat er geen koper meer aan het water wordt afgegeven. Wanneer u na een week opnieuw het water test, ziet u aan het resultaat van de teststrip of dat u de ionizer weer kunt inschakelen. Door steeds te testen en de display naar hoger of lager bij te stellen vindt u uiteindelijk de juiste koperbalans in uw zwembad.

Elke 336 uur schakelt de Ionizer automatisch uit. U ziet op het apparaat dat de cijfers op de display niet meer branden. De UV-C lamp blijft zo lang er stroom aangesloten zit gewoon doorbranden. Wanneer de Ionizer uitgeschakeld is, bent u altijd verplicht om het water te testen met de bijgeleverde teststrips. U schakelt het apparaat weer aan met de "+" knop. De stand waar de display op ingesteld stond voor dat hij automatisch uitschakelde verschijnt dan weer op de display. Na het inschakelen van de ionizer kunt u de display niet meer zelf uitschakelen. De display schakelt na 336 uur weer automatisch uit. Indien u een vergissing heeft gemaakt of de ionizer niet aan wil zetten kunt u de display stand gewoon op "00" zetten.

In de eerste gebruiksmaand moet u het zwembadwater iedere week testen tot dat u de gewenste balans heeft bereikt. Na een maand kunt u het testen terug brengen naar 1 keer per 2 weken. De PH waarde kunt u ook met de teststrips testen. Een PH waarde tussen de 7.0 – 7.6 is de meest ideale waarde met koperelektrolyse.

Chloor mag u indien u dit wenst gebruiken, uiteraard kan dit heel laag gedoseerd worden, omdat de Blue Lagoon UV-C Copper Ionizer zijn desinfecterende werk al doet. Het is belangrijk dat u altijd anorganisch chloor (vloeibaar, granulaat, sticks of tabletten) gebruikt in combinatie met een ionisator. Andere chloorsoorten werken niet in combinatie met koperelektrolyse.

Let op!, leg granulaat of chloortabletten niet op de bodem van het zwembad. Koperionen kunnen door de sterke concentratie chloor gaan neerslaan en verkleuring veroorzaken.

Vervanging lamp en koperunit

De UV-C lamp en de koperunit gaan 2 zwemseizoenen mee bij een gebruik van 12 uur per dag 6 maanden per jaar. Wanneer er op de display van de Blue Lagoon UV-C Copper Ionizer het nummer "88" knippert dient u de UV-C lamp en de koperunit te vervangen. Voor een vervangingsset kunt u bij de verdeler waar u het apparaat heeft gekocht terecht. Elke type apparaat heeft een eigen vervangingsset i.v.m. met het type UV-C lamp. Wanneer u de UV-C lamp en de koperunit heeft vervangen kunt u de display resetten door de "+" en de "-" knop tegelijk gedurende 3 seconden in te houden.

Vervanging set: Koper, Blue Lagoon lamp 40 Watt & teststrips artikelnummer: B200012

Vervanging set: Koper, Blue Lagoon lamp 75 Watt & teststrips artikelnummer: B200013

Voordelen van UV-C behandeling:

- Zorgt voor fris, schoon en helder water
- Desinfecteert water op een efficiënte en veilige manier
- Bescherm uw bad tegen ziektekiemen
- Houdt schimmel-, bacterie- en algenvorming onder controle
- Kan het gebruik van chloor en andere chemicaliën tot 100% verminderen
- UV-C licht breekt gebonden chloor af
- Beter voor het milieu in vergelijking met traditionele methoden

Eigenschappen van Blue Lagoon UV-C Copper Ionizer:

- Zwemmen zonder chloor is mogelijk
- Tot 80% desinfectie door UV-C
- Tot 20% desinfectie door koperelektrolyse
- 316L RVS binnenwerk tot 35% meer UV-C opbrengst door reflectie
- UV-C lamp en koperunit gaan 2 zwemseizoenen mee
- Eenvoudige installatie en onderhoud
- 2 jaar garantie op fabricagefouten
- Blue Lagoon UV-C Copper Ionizer is geaard

Veiligheid

Dit apparaat produceert schadelijke straling. Direct contact kan gevaar opleveren voor ogen en huid. Controleer de werking van de UV-C lamp uitsluitend via de transparante onderdelen van de unit.

- Onbedoeld gebruik van het apparaat of beschadiging van de behuizing kan leiden tot het ontsnappen van gevaarlijke UV-C straling. UV-C straling kan, zelfs in kleine doses, schade veroorzaken aan de ogen en de huid.
- Steek de stekker van het apparaat altijd in een geaarde contactdoos met sluitklep.
- Voor een permanente aansluiting op het elektriciteitsnet moet voldaan worden aan de voorschriften van het energiebedrijf. Raadpleeg bij eventuele twijfel over aansluiting een erkende installateur of het energiebedrijf. Werk altijd met een aardlekschakelaar (max 30mA).
- Neem altijd de stekker uit het stopcontact voordat u onderhoud- of reparatiewerkzaamheden aan het apparaat uitvoert. Nooit de stekker in/ uit stopcontact steken/halen als u in een plas water staat of natte handen heeft.
- Dit apparaat is niet bedoeld voor gebruik door personen (inclusief kinderen) met verminderde lichamelijke, zintuiglijke of geestelijke vermogens, of gebrek aan ervaring en kennis, tenzij zij onder toezicht staan of worden geïnstrueerd over het gebruik van het apparaat door een persoon die verantwoordelijk is voor hun veiligheid.
- Houdt kinderen uit de buurt van dit apparaat en het snoer.
- De kabel van dit apparaat is niet vervangbaar. In geval van beschadiging van de stroomkabel moet het complete elektrische gedeelte van het apparaat vernieuwd worden. Verwijder nooit de stekker maar laat het elektrische gedeelte in tact. Een elektrisch gedeelte met afgeknipte stekker valt niet onder garantie.
- Testen van het water is van groot belang! Een te hoog kopergehalte kan verkleuringen veroorzaken aan uw zwembad, zwemkleding, nagels en blonde haren. Een te laag koper gehalte kan het water niet voldoende desinfecteren. Houdt u zich aan de voorgeschreven balans van 0,4 tot 0,7 ppm. Zet een herinnering in uw telefoon om te voorkomen dat u het vergeet.
- Gebruik de Blue Lagoon UV-C Copper Ionizer NOOIT in combinatie met een zout elektrolyse systeem of in een zoutwaterbad. Het combineren van koper en zout kan voor een chemische reactie zorgen die zeer giftig is.
- Het apparaat nooit onderwater dompelen.
- Installeer het apparaat nooit op een plek in de volle zon.
- Installeer het apparaat altijd in een droge en goed geventileerde ruimte.
- Na uitschakelen van het apparaat zal de lamp nog ongeveer 10 minuten warm blijven.
- Bij beschadiging van onderdelen (in het bijzonder van het kwartsglas), het apparaat niet gebruiken.
- Bij bevroeringsgevaar tijdens de wintermaanden, het apparaat verwijderen.
- Dit product is uitsluitend te gebruiken volgens de richtlijnen zoals beschreven in deze handleiding.
- Lees bij het gebruik in combinatie met chemicaliën, altijd de gebruiksaanwijzing van dit product. Geef speciale aandacht aan de veiligheidsvoorschriften.

Installatie aardingskabel (Tekening 1)

- 1 Voordat u de kunststof trekontlasting (F) op de aardingsbout (A) monteert dient u eerst de kabel (B) door de trekontlasting (F) te halen. Plaats de trekontlasting (F) op ongeveer 10cm afstand van het oog (H) van de aardingskabel (B).
- 2 Plaats het oog (H) van de kabel (B) over de aardingsbout (A) die op de behuizing is bevestigd.
- 3 Plaats vervolgens een tandveerring (C), zeskantsmoer (D) en weer een tandveerring (E) op het oog (H).
- 4 Bevestig de trekontlasting (F) er bovenop zodat er een lus van Ø 5cm ontstaat.
- 5 Als laatste de borgmoer (G) op de aardingsbout (A) plaatsen.
- 6 Als de diverse moeren op de juiste volgorde op de aardingsbout (A) zijn geplaatst kan dit met een steek-, of ringsleutel nummer 8, vastgedraaid worden. Zorg ervoor dat het niet te vast wordt aangedraaid, want dan kan de trekontlasting scheuren. (De transparante moer die bij aanlevering op de aardingsbout (A) geschroefd is, heeft verder geen functie en kan weggegooid worden).

Installatie apparaat (Tekening 2)

Dit apparaat nooit onder water dompelen. Installatie altijd buiten het bad. Zorg ervoor dat er altijd water door de unit stroomt als de lamp brandt. De Blue Lagoon UV-C Copper Ionizer mag nooit na de ph regelaar op uw zwembadinstallatie geplaatst worden. De ideale locatie is na de pomp en de filter.

- 1 Bepaal de gewenste positie om het apparaat te installeren.
- 2 Monteer de unit d.m.v. de driedelige koppelingen (I) in het circuit.
- 3 Monteer de meegeleverde buisklemmen (O) op een vaste plaats, bevestig de unit in de buisklemmen en draai de driedelige koppeling (I) vast. Zorg ervoor dat er voldoende ruimte (+/- 1 mtr.) over blijft om de lamp (K)/ kwartsglas (M) te verwijderen voor vervanging en/of onderhoud.
- 4 Schuif voorzichtig de Blue Lagoon UV-C lamp in het kwartsglas (M). Bevestig de lamp (K) in de lamphouder (L) en draai de moer (N) handvast op de unit.
- 5 Stel de pomp in werking en controleer het systeem op doorstroom en lekkage. Let daarbij op de juiste positie van de afdichtingsringen (P) zowel bij de aansluitingen als bij het kwartsglas (zie **tekening 2**).
- 6 Stop de stekker van het UV-C apparaat in een wandstopcontact met randaarde en voorzien van aardlekschakelaar. Controleer of de lamp brandt door de transparante delen van het apparaat.
- 7 U schakelt het apparaat volledig uit door de stekker uit het stopcontact te trekken.
- 8 Zorg ervoor dat er +/- 1 meter vrije ruimte is om de lamp (K) / kwartsglas (M) te verwijderen voor vervanging en/of onderhoud. En minimaal 30 cm aan de onder zijde voor het vervangen van de koper unit (U).

Demontage / Onderhoud / Vervanging koper & lamp

Bij onderhoud/demontage van het apparaat altijd de stroomtoevoer uitschakelen. Het apparaat dient iedere 3 maanden gereinigd te worden. Wanneer de algengroei en/of kalkaanslag toeneemt, moet de kwartsglazen buis (M) waarin de lamp gestoken is, schoongemaakt worden. De koperunit kan door invloeden van buitenaf sneller op raken. Controleer daarom bij het schoonmaken ook de koperunit. De speciale Blue Lagoon UV-C lamp en de koper unit dienen bij normaal gebruik na 2 zomerseizoenen vervangen te worden. Het RVS binnenwerk kunt u met een zachte borstel schoonmaken.

- 1 Draai de driedelige koppelingen (I) los en laat het water uit het apparaat stromen.
- 2 Schroef de draaideksel (N) los en trek deze een stukje met lamp omhoog. Maak voorzichtig de lamp los van de lamphouder (K). Als de lamp los is trekt u de lamp voorzichtig uit het kwartsglas. Voorzichtigheid is geboden daar het om zeer kwetsbare onderdelen gaat.
- 3 Verwijder voorzichtig het kwartsglas (M) d.m.v. een grote platte schroevendraaier (zie **tekening 3**). Nooit forceren!
- 4 Maak het kwartsglas schoon met een daarvoor geschikt middel. Wij raden een schoonmaak middel op basis van citroenzuur aan. Gebruik altijd een zachte doek om het glas schoon te maken, voorkom krassen.
- 5 Let bij herplaatsing van het kwartsglas in het huis op de juiste positie van de afdichtingsringen (P) en schuif het uiteinde van het kwartsglas voorzichtig in het opvangstuk (Q) (zie **tekening 4**). Nooit forceren!
- 6 Voor het vervangen van de koper unit (U) (zie **tekening 3**) schroeft u met een schroevendraaier de beschermkap (R) van het kroonsteentje (S) open en maakt u de bedrading los van het kroonsteentje. U schroeft daarna de draaideksel (T) aan de onderzijde van het apparaat los. Verwijder voorzichtig de koper unit d.m.v. een grote platte schroevendraaier (zie **tekening 3**). Nooit forceren! U plaatst daarna een nieuwe koperunit in het apparaat en de bedrading verbind u weer via het kroonsteentje (zie **tekening 5**). Let op dat de kleuren van de kabels met elkaar overeenkomen: blauw bij blauw, bruin bij bruin. Draai tot slot de schroefjes van het kroonsteentje vast. Het beschermkapje van het kroonsteentje plaatst u daarna weer terug. Controleer of de zwarte mantel van beide stukken kabel ver genoeg in het verbindingstuk zitten en schroef het dekseltje vast.
- 7 Bij het demonteren van een nieuwe behuizing of elektrisch gedeelte, gelieve eerst het hoofdstuk Installatie en Demontage te lezen. Het elektrische gedeelte van het apparaat bevindt zich in de displaykast (W) op het apparaat. Deze displaykast is gelijmd en niet te openen. Bij vervanging van het elektrische gedeelte dient de volledige kast losgeschroefd te worden en de bedrading van het apparaat los gemaakt te worden (zie **tekening 1 & 5**). Schroef de draaideksel (N) los en maak de lamphouder voorzichtig los van de lamp. Let er op dat u de diverse

losse onderdelen zoals van de aarding etc. goed bewaart. Deze worden niet met een nieuwe behuizing of elektrisch gedeelte meegeleverd. Bij eventuele twijfel over de aansluiting, een erkende installateur raadplegen.

De Blue Lagoon UV-C Copper Ionizer is verkrijgbaar in de volgende types:

Blue Lagoon UV-C Copper Ionizer 40.000 Liter / 40 Watt (230V; 50/60Hz) artikelnummer: B200002

Blue Lagoon UV-C Copper Ionizer 75.000 Liter / 75 Watt (230V; 50/60Hz) artikelnummer: B200003

Technische specificaties	40.000 L	75.000 L
• Lamp TUV UV-C	40 Watt	75 Watt
• UV-C output (W)	15 Watt	25 Watt
• Zwembadinhoud (L.)	40.000 L	70.000 L
• Maximale doorstroom	20.000 l/h	25.000 l/h
• Maximale koper	0,7 p.p.m.	0,7 p.p.m.
• Maximale druk	2 bar	2 bar
• Maximale temperatuur	50°C	50°C
• Minimale temperatuur	0°C	0°C
• Formaat aansluiting	Ø 63 mm	Ø 63 mm
• Lengte apparaat	100 cm	100 cm

9 STAPPEN VOOR EEN 'PERFECT' ZWEMBAD BIJ HET GEBRUIK VAN EEN IONIZER.

1. Shock

Wanneer uw zwembad niet nieuw is, filter uw water en geef het een impuls van 5 ppm chloor gedurende 3 tot 5 opeenvolgende dagen.

2. Balans

Uw zwembad dient een pH-balans te hebben tussen 7.0 en 7.6, wekelijks getest.

3. Totaal opgeloste stoffen

Het TDS gehalte moet tussen de 750 en 1500 ppm zijn.

4. Cyaanzuur

Het ideale gehalte zou tussen de 0 en 30 ppm moeten zijn.

5. Totale alkaliteit

De ideale waarden liggen tussen de 80 en 120 ppm. (Worden normaal gesproken bereikt wanneer de pH in balans is.)

6. Calciumhardheid

De ideale waarden liggen tussen de 225 en 375 ppm.

7. Installatie van uw ionizer

Installeer uw ionizer zoals beschreven in de gebruiksaanwijzing.

8. Koper niveau (0,4 – 0,7 ppm)

Laat uw ionizer in tegelijk met uw pomp lopen totdat u het aanbevolen koper niveau heeft bereikt (duurt +/- 2 weken). Stel uw ionizer zo in dat het ideale koperniveau tussen de 0,4 en 0,7 ppm blijft. U kunt dit testen met de bijgeleverde teststrips.

9. Enjoy!

Nu dat uw kopergehalte op niveau is kunt u heerlijk genieten van uw zwembad, wetende dat uw water van de beste kwaliteit is en beschermd wordt tegen bacteriën, virussen, schimmels en alle soorten algen.

Garantievoorwaarden

Met dit product heeft u een uitstekende keuze gemaakt. Het apparaat is zorgvuldig en met inachtneming van alle toepasselijke veiligheidsvoorschriften geassembleerd. Omwille van de kwaliteit heeft de leverancier uitsluitend gebruik gemaakt van hoogwaardige materialen. De leverancier garandeert het apparaat vanaf de datum van aanschaf gedurende 2 jaar tegen materiaal- en fabricagefouten. De lamp, het kwartsglas vallen buiten de garantie. Garantiegevallen kunnen alleen worden behandeld als het product franco terug wordt gestuurd en voorzien is van een geldig aankoopbewijs. Bij installatie- en bedieningsfouten, ondeskundig gebruik, niet-naleving van veiligheidsvoorschriften, gebrekkig onderhoud, beschadigingen, evenals doorvoering van technische veranderingen, kan geen beroep op de garantie worden gedaan. De leverancier behoudt zich het recht voor om het apparaat in geval van garantieclaims naar eigen keuze te repareren of in zijn geheel te vervangen. Gevolgschaden zijn uitgesloten van de garantie. Reclamaties op grond van transportbeschadigingen kunnen alleen geaccepteerd worden, wanneer de beschadiging bij aflevering door de expediteur of posterijen werd vastgesteld of bevestigd. Alleen dan is het mogelijk, aanspraken t.o.v. de expediteur of posterijen te doen.

Ionizador Blue Lagoon UV-C 40.000 - 75.000

E

Antes de instalar este aparato se deberán leer detenidamente las presentes instrucciones.

Funcionamiento

El ionizador Blue Lagoon UV-C limpia el agua de su piscina por medio de electrólisis de cobre en combinación con radiación UV-C. El ionizador De Blue Lagoon UV-C se coloca en la tubería después del filtro de la piscina. El agua de la piscina pasa por la carcasa del ionizador Blue Lagoon UV-C. En el interior de la carcasa se encuentra una lámpara UV-C y una unidad de cobre, denominada ionizador. El ionizador cede un poco de cobre al agua que pasa a través de la carcasa del aparato. Los iones de cobre (Cu^{2+}) del agua tienen carga positiva y atacan a la pared celular de las bacterias, los virus y otros organismos primitivos. Debido a que la pared celular se ha dañado, éstos ya no pueden absorber sustancias nutritivas, lo que impide su multiplicación. Este proceso de carga positiva de cobre se denomina electrólisis de cobre. El cobre en el agua actúa como un elemento desinfectante de la piscina y el resultado es equiparable al efecto del cloro. La lámpara que se encuentra en el ionizador Blue Lagoon UV-C genera luz ultravioleta C. Esta luz ultravioleta tiene una radiación de 253,7 nm de longitud de onda, encargándose de destruir las bacterias, los virus y otros organismos primitivos. La longitud del aparato permite exponer el agua durante largo tiempo a esta elevada dosis de radiación. La radiación aniquila el ADN de las bacterias, los virus y los microorganismos. El interior de acero inoxidable 316L asegura una reflexión extra de la radiación UV-C, lo que incrementa la eficiencia en un 35%.

La investigación llevada a cabo ha puesto de manifiesto que la luz UV-C desinfecta hasta un 80% del agua de la piscina. El cobre desinfecta hasta un 20% del agua de la piscina. Si todos los valores concuerdan al 100%, la radiación UV-C en combinación con la electrólisis de cobre permite disfrutar de la piscina sin aportación de productos químicos. Gracias al ionizador Blue Lagoon UV-C podrá desinfectar el agua de su piscina de manera segura y eficiente, a la vez que mantiene una excelente calidad de ésta.

Usar

Una vez instalado el ionizador Blue Lagoon UV-C en el sistema de tubería, la lámpara UV-C se enciende inmediatamente después de haber enchufado el aparato a la toma de corriente. Antes de poner en funcionamiento el ionizador deberá controlar la concentración actual de cobre en el agua de la piscina. El balance ideal de cobre oscila entre 0,4 y 0,7 ppm. En la tira de testado puede ver si el contenido de cobre es demasiado alto o demasiado bajo. Para poner en funcionamiento el ionizador deberá pulsar el botón "+" de la pantalla (V) (véase el dibujo 2 y 9). En el visor aparece, en rojo, el grado de dosificación de cobre. Esto puede ser una cifra comprendida entre "0" y "99". Si se ajusta a "00", el ionizador estará desactivado y no habrá dosificación de cobre. La posición inicial en el visor, a la puesta en funcionamiento, depende de las dimensiones de la piscina y del resultado del primer control del agua que haya realizado con la tira de testado. Si después de la primera comprobación la concentración de cobre es demasiado baja, podrá aumentarla mediante el botón "+" de la pantalla hasta, por ejemplo, 30 o más. Después de una semana se vuelve a controlar el agua y, si la tira de testado aún indica una concentración de cobre baja, se deberá incrementar el valor que aparece en el visor. Si la tira marca el valor correcto de 0,4 a 0,7 ppm, no es necesario modificar nada en la pantalla. Si la concentración de cobre es excesiva, se deberá reducir el valor en el visor hasta "00" con el botón "-", de modo que no se administre más cobre al agua. Pasada una semana, se vuelve a controlar el agua y, en base al resultado de la tira de testado, se puede comprobar si hay que conectar de nuevo el ionizador. Realizando repetidas pruebas, y aumentando o reduciendo el valor en el visor, se puede determinar definitivamente el balance correcto de cobre en el agua de la piscina. El ionizador se desactiva automáticamente cada 336 horas. En el aparato podrá ver que las cifras del visor no están iluminadas. La lámpara UV-C permanece encendida mientras esté conectada a corriente. Una vez que se ha desactivado el ionizador es obligatorio controlar el agua con las tiras de testado suministradas. El aparato se pone de nuevo en funcionamiento mediante el botón "+". Seguidamente aparecerá en el visor nuevamente la posición a la que estaba ajustado éste antes de que se desactivara automáticamente. Después de ponerse en funcionamiento el ionizador usted no podrá desactivar más el visor por sí mismo. El visor se desactivará de nuevo automáticamente después de 336 horas. Si ha cometido un error, o si no desea que el ionizador esté en funcionamiento, puede poner el visor simplemente a "00". En la primera semana de utilización deberá controlar el agua de la piscina todas las semanas hasta haber conseguido el equilibrio correcto. Transcurrido el primer mes, podrá reducir los controles a 1 vez cada 2 semanas. El valor del pH lo puede controlar también por medio de las tiras de testado. El pH ideal con electrólisis de cobre se sitúa en 7,0 a 7,6. Si lo desea, podrá utilizar cloro, pero, naturalmente, en una dosis muy reducida, ya que el ionizador Blue Lagoon UV-C ya se encarga de llevar a cabo la desinfección. Es importante utilizar siempre cloro inorgánico (granulado, barras o pastillas) en combinación con el ionizador. Otras clases de cloro no surten efecto en combinación con la electrólisis de cobre. ¡Atención!: No ponga granulado ni tabletas de cloro en el fondo de la piscina. Debido a la fuerte concentración de cloro, los iones de cobre se pueden precipitar en la piscina y pueden originar manchas o decoloración.

Cambio de la lámpara y de la unidad de cobre

La lámpara UV-C y la unidad de cobre tienen una vida útil de 2 temporadas con una utilización de 12 horas por día durante 6 meses al año. Si en el visor del ionizador Blue Lagoon UV-C parpadea el número "88", se deberán sustituir la lámpara UV-C y la unidad de cobre. El juego de repuesto lo podrá pedir al distribuidor donde ha adquirido usted el aparato. Para cada tipo de aparato se suministra un juego de repuesto diferente, el cual depende del tipo de lámpara UV-C de que se trate. Una vez que se haya sustituido la lámpara UV-C y la unidad de cobre, deberá reiniciar el visor manteniendo pulsados al mismo tiempo los botones "+" y "-" durante 3 segundos.

Juego de recambio: Cobre, lámpara Blue Lagoon 40 W y tiras de testado, número de artículo: B200012

Juego de recambio: Cobre, lámpara Blue Lagoon 75 W y tiras de testado, número de artículo: B200013

Ventajas del tratamiento con UV-C:

- Obtención de agua fresca, limpia y clara
- Desinfección del agua de manera eficiente y segura
- Protección de la piscina contra los gérmenes patógenos
- Control de la formación de hongos, bacterias y algas
- Posibilidad de reducir hasta un 100% el uso de cloro y otros productos químicos
- La luz UV-C descompone el cloro combinado
- Mejor para el medio ambiente en comparación con los métodos tradicionales

Datos del ionizador Blue Lagoon UV-C:

- Ofrece la posibilidad de disfrutar de la piscina sin cloro
- Hasta un 80% de desinfección mediante UV-C
- Hasta un 20% de desinfección por electrólisis de cobre
- Acabado interior en acero inoxidable 316L, lo que aporta hasta un 35% más de rendimiento de la radiación UV-C por reflexión
- Vida útil de 2 temporadas de la lámpara UV-C y la unidad de cobre
- Instalación y mantenimiento sencillos
- 2 años de garantía por defectos de fabricación
- El ionizador Blue Lagoon UV-C lleva puesta a tierra

Seguridad

Este aparato produce radiación dañina. El contacto directo puede ser peligroso para los ojos y la piel. El control del funcionamiento de la lámpara UV-C sólo deberá realizarse a través de las piezas transparentes del aparato.

- El uso indebido del aparato, o daños que pudieran causarse a la carcasa, pueden originar escapes de radiación UV-C peligrosa. La radiación UV-C, incluso en pequeñas dosis, pueden causar daños en los ojos y en la piel.
- Conecte la clavija de enchufe siempre a una toma de corriente puesta a tierra y provista de tapa de protección.
- Para la conexión permanente a la red eléctrica, se deberá cumplir con las prescripciones de la empresa suministradora de energía. En caso de duda sobre la conexión, consulte con un instalador eléctrico autorizado o con la compañía eléctrica. Trabaje siempre con un interruptor de fuga a tierra (máx. 30 mA).
- Antes de efectuar cualquier trabajo de mantenimiento o de reparación se deberá desconectar el enchufe de la red. Nunca se deberá conectar o desconectar el enchufe si se encuentra usted en un charco de agua o si tiene las manos mojadas.
- Este aparato no está previsto para su utilización por personas (incluidos niños) con alguna disminución física, sensorial o psíquica, o que no dispongan de suficiente experiencia o conocimientos, salvo que se encuentren bajo vigilancia de una persona responsable de su seguridad o sean instruidos por ésta sobre el uso del aparato.
- Impida que los niños se acerquen al aparato o al cordón eléctrico.
- El cable de este aparato no se puede sustituir. En caso de desperfectos en el cable eléctrico, se deberá sustituir la parte eléctrica completa del aparato por otra nueva. No quite nunca la clavija de enchufe y deje la parte eléctrica intacta. Si se ha cortado el enchufe de la parte eléctrica, quedará invalidada la garantía para la parte eléctrica.
- ¡Es muy importante controlar el agua! Si la concentración de cobre es demasiado alta, se puede originar decoloración en la piscina, la ropa de baño, las uñas y el pelo rubio. Si el contenido de cobre es demasiado bajo, no se podrá desinfectar el agua suficientemente. Aténgase al nivel de equilibrio prescrito de 0,4 a 0,7 ppm. Ponga un recordatorio en su teléfono para evitar que se olvide.
- El ionizador Blue Lagoon UV-C no se deberá utilizar NUNCA en combinación con un sistema de electrólisis de sal o en una piscina de agua salada. La combinación de cobre y sal puede producir una reacción química altamente tóxica.
- El aparato nunca se deberá sumergir en el agua.
- No instale el aparato nunca en un lugar donde dé de lleno el sol.
- Instale el aparato siempre en un espacio seco y bien ventilado.
- Después de desconectar el aparato, la lámpara seguirá estando caliente durante unos 10 minutos.
- En caso de que se haya dañado alguna pieza (en especial el vidrio de cuarzo), no se deberá utilizar el aparato.
- Durante los meses de invierno, si existe peligro de helada, se deberá retirar el aparato.
- Este producto sólo se deberá utilizar de conformidad con las normas que se indican en este manual de instrucciones.
- Si se ha de utilizar en combinación con productos químicos, se deberán leer siempre las instrucciones de utilización del producto. Tenga especialmente en cuenta las prescripciones de seguridad.

Instalación del cable de puesta a tierra (dibujo 1)

- 1 Antes de montar el sujetacables de plástico (F) al tornillo de puesta a tierra (A) hay que pasar el cable (B) por el sujetacables (F). Coloque el sujetacables (F) a una distancia de unos 10 cm del ojal (H) del cable de tierra (B).
- 2 Coloque el ojal (H) del cable (B) al tornillo de puesta a tierra (A) que se encuentra en la carcasa.
- 3 Seguidamente, coloque una arandela elástica dentada (C), una tuerca hexagonal (D) y otra arandela dentada (E) en el ojal (H).
- 4 Acople encima el sujetacables (F), de forma que quede un lazo de \varnothing 5 cm.
- 5 Finalmente, coloque una tuerca de bloqueo (G) al tornillo de puesta a tierra (A).
- 6 Una vez que se han colocado las distintas tuercas en el orden correcto en el tornillo de puesta a tierra (A), se podrá proceder a apretar el conjunto con una llave fija o una llave de tubo del número 8. Evite apretar excesivamente, ya que esto podría romper el sujetacables. (Una vez hecho esto, la tuerca transparente que lleva de fábrica el tornillo de puesta a tierra (A) no tiene objeto alguno, por lo que se puede desechar).

Instalación del aparato (dibujo 2)

Este aparato nunca se deberá sumergir en el agua. La instalación ha de efectuarse siempre fuera del agua. Estando la lámpara encendida, siempre deberá circular agua por el aparato. El ionizador Blue Lagoon UV-C nunca se deberá colocar después del regulador de pH en la instalación de la piscina. La ubicación ideal es después de la bomba y el filtro.

- 1 Determine la posición deseada para la instalación del aparato.
- 2 Monte la unidad en el circuito mediante los acoplamientos de tres piezas (I).
- 3 Monte las abrazaderas de tubo (O) suministradas en un punto fijo, acople la unidad a las abrazaderas de tubo y apriete el acoplamiento de tres piezas (I). Asegúrese de que queda espacio suficiente (+/- 1 metro) para poder quitar la lámpara (K) y/o el vidrio de cuarzo (M) para sustitución o mantenimiento.
- 4 Introduzca cuidadosamente la lámpara UV-C del Blue Lagoon en el vidrio de cuarzo (M). Coloque la lámpara (K) en el portalámpara (L) y apriete manualmente la tuerca (N) de la unidad.
- 5 Ponga la bomba en funcionamiento y controle si el líquido circula correctamente y si se produce alguna fuga. Tenga en cuenta la posición correcta de las arandelas de estanqueidad (P), tanto en las conexiones como en el vidrio de cuarzo (véase el dibujo 2).
- 6 Introduzca la clavija del aparato UV-C en una toma de corriente mural con puesta a tierra y provista de interruptor de fuga a tierra. A través de las partes transparentes del aparato, controle si la lámpara está encendida.
- 7 Para desconectar por completo el aparato, hay que retirar la clavija de la toma de corriente.
- 8 Asegúrese de que queda un espacio libre de +/- 1 metro para poder quitar la lámpara (K) y/o el vidrio de cuarzo (M) para sustitución o mantenimiento. En la parte inferior han de quedar como mínimo 30 cm libres para poder cambiar la unidad de cobre (U).

Desmontaje / Mantenimiento / Cambio de unidad de cobre y la lámpara

Para realizar trabajos de mantenimiento y desmontaje del aparato se deberá desconectar la alimentación de corriente eléctrica. El aparato se deberá limpiar cada 3 meses. Al aumentar el desarrollo de algas y/o los depósitos de cal se deberá limpiar el tubo de cuarzo (M) en el que se encuentra la lámpara. La unidad de cobre puede agotarse prematuramente por influencias externas. Por eso, al realizar la limpieza, se deberá controlar también la unidad de cobre. La lámpara especial Blue Lagoon UV-C y la unidad de cobre se deberán cambiar, en el uso normal, cada 2 temporadas de utilización de la piscina. La parte interior de acero inoxidable se puede limpiar con un cepillo suave.

- 1 Suelte los acoplamientos de tres piezas (I) y deje que se vacíe el agua del aparato.
- 2 Suelte la tapa giratoria (N) y levántela un poco junto con la lámpara. Suelte con cuidado la lámpara del portalámparas (K). Cuando se haya soltado la lámpara, sáquela cuidadosamente del tubo de cuarzo. Esto hay que hacerlo con cuidado, ya que se trata de piezas que se pueden dañar muy fácilmente.
- 3 Quite con cuidado el vidrio de cuarzo (M) utilizando un destornillador plano grande (véase el dibujo 3). ¡En ningún caso se deberá forzar!
- 4 Limpie el vidrio de cuarzo con un medio adecuado para este fin. Es aconsejable utilizar un detergente a base de ácido cítrico. Utilice siempre un paño suave para limpiar el vidrio y evite que se produzcan arañazos.
- 5 Al volver a colocar el tubo de cuarzo en el alojamiento, tenga en cuenta la posición correcta de las arandelas de estanqueidad (P) e introduzca el extremo del tubo de cuarzo cuidadosamente en el soporte (Q) (véase el dibujo 4). ¡En ningún caso se deberá forzar!
- 6 Para cambiar la unidad de cobre (U) (véase el dibujo 3) se deberá abrir con un destornillador la cubierta protectora (R) de la clema de conexión (S) y seguidamente soltar los hilos de la clema. A continuación hay que soltar la tapa rotativa (T) de la parte inferior del aparato. Quite con cuidado la unidad de cobre utilizando un destornillador plano grande (véase el dibujo 3). ¡En ningún caso se deberá forzar! Seguidamente, incorpore una unidad de cobre nueva en el aparato y conecte de nuevo los hilos por medio de la clema (véase el dibujo 5). Tenga en cuenta que los colores de los cables han de coincidir entre sí: azul con azul, marrón con marrón. Finalmente, apriete los tornillitos de la clema. A continuación, coloque el protector de la clema. Cerciórese de que el manguito negro de los dos trozos de cable está lo suficientemente dentro de la pieza de conexión y enrosque bien la tapa.
- 7 Antes de desmontar una carcasa o un conjunto eléctrico nuevos se deberá leer el capítulo Instalación y Desmontaje. El conjunto eléctrico se encuentra en la caja del visor (W) del aparato. La caja del visor va encolada y no se puede abrir. Para cambiar el conjunto eléctrico hay que

desenroscar y retirar la caja completa y soltar los cables del aparato (**véanse los dibujos 1 y 5**). Suelte la tapa giratoria (**N**) y retire con cuidado el portalámparas de la lámpara. Atención: Guarde bien las distintas piezas sueltas, como los elementos de puesta a tierra, etc. Estas piezas no se suministran con una carcasa o un conjunto eléctrico nuevos. En caso de duda sobre la conexión, consulte con un instalador eléctrico autorizado.

El ionizador Blue Lagoon UV-C está disponible en los siguientes tipos:

Ionizador Blue Lagoon UV-C 40.000 litros / 40 W (230 V; 50/60 Hz), número de artículo: B200002

Ionizador Blue Lagoon UV-C 75.000 litros / 75 W (230 V; 50/60 Hz), número de artículo: B200003

Especificaciones técnicas	40.000 L	75.000 L
• Lámpara TUV UV-C	40 W	75 W
• Potencia UV-C (W)	15 W	25 W
• Capacidad de la piscina (L.)	40.000 L	70.000 L
• Circulación máxima	20.000 l/h	25.000 l/h
• Cobre, máximo	0,7 p.p.m.	0,7 p.p.m.
• Presión máxima	2 bar	2 bar
• Temperatura máxima	50°C	50°C
• Temperatura mínima	0°C	0°C
• Diámetro de conexión	Ø 63 mm	Ø 63 mm
• Longitud del aparato	100 cm	100 cm

LOS 9 PASOS PARA UNA PISCINA “PERFECTA” CUANDO SE UTILIZA UN IONIZADOR

1. Tratamiento de choque

Si su piscina no es completamente nueva, filtre el agua y adminístrele un tratamiento de choque de 5 ppm de cloro durante 3 a 5 días consecutivos.

2. Balance

El balance del pH en la piscina deberá situarse entre 7.0 y 7.6, y deberá controlarse semanalmente.

3. Total de sólidos disueltos

El total de sólidos disueltos deberá ser de 750 a 1500 ppm.

4. Ácido ciánico

El contenido ideal debería situarse entre 0 y 30 ppm.

5. Alcalinidad total

Los valores ideales se encuentran entre 80 y 120 ppm. (Normalmente se obtienen cuando el pH se encuentra en balance).

6. Dureza cálcica

Los valores ideales se encuentran entre 225 y 375 ppm.

7. Instalación de ionizador

Instale su ionizador según se indica en el manual de instrucciones.

8. Nivel de cobre (0,4 - 0,7 ppm)

Ponga en funcionamiento el ionizador al mismo tiempo que la bomba y déjelos funcionar hasta que se haya alcanzado el nivel recomendado de cobre (esto tardará aproximadamente 2 semanas). Ajuste el ionizador de manera que se mantenga el nivel ideal de cobre de 0,4 a 0,7 ppm. Esto lo podrá controlar con las tiras de comprobación suministradas.

9. ¡Disfrute!

Una vez que se haya alcanzado el contenido correspondiente de cobre, podrá disfrutar de su piscina, en la seguridad de que el agua es de la mejor calidad y está protegida contra las bacterias, los virus, los hongos y toda clase de algas.

Condiciones de garantía

Al decidirse por este producto ha elegido usted una opción excelente. Este aparato está ensamblado con el mayor esmero y de conformidad con todas las prescripciones de seguridad vigentes. Para asegurar la mejor calidad, el proveedor ha utilizado exclusivamente materiales de selectos. El proveedor garantiza el aparato contra defectos de material y de fabricación por un periodo de 2 años a partir de la fecha de adquisición. La lámpara y el tubo de cuarzo no se incluyen en la garantía. Las reclamaciones de garantía sólo se podrán atender si el producto se devuelve con portes pagados y provisto de un justificante de compra válido. No podrá invocarse derecho alguno a garantía en caso de errores de instalación y de manejo, uso inapropiado, incumplimiento de las prescripciones de seguridad, mantenimiento deficiente, daños ocasionados y realización de modificaciones técnicas. En caso de reclamaciones de garantía, el proveedor se reserva el derecho, a su propia elección, a reparar el aparato o bien a sustituirlo en su totalidad. Quedan excluidos de la garantía los daños indirectos. Las reclamaciones por daños durante el transporte sólo se aceptarán si éstos han sido comprobados o confirmados por el transportista, o por el servicio de correos, en el momento de la entrega. Sólo en tal caso se podrán formular reclamaciones al transportista o al servicio de correos.

Ionizzatore UV-C Blue Lagoon 40.000 - 75.000

I

Prima di installare questo apparecchio, leggere attentamente le presenti istruzioni per l'uso.

Funzionamento

Lo ionizzatore UV-C Blue Lagoon depura l'acqua della piscina tramite elettrolisi del rame abbinata a radiazioni UV-C. Lo ionizzatore UV-C Blue Lagoon viene installato sul sistema di tubature a valle del filtro della piscina. L'acqua della piscina fluisce attraverso l'alloggiamento dello ionizzatore UV-C Blue Lagoon. All'interno dell'alloggiamento vi sono una lampada UV-C e un'unità al rame, detta ionizzatore. L'unità al rame rilascia una piccola quantità di rame nell'acqua che fluisce attraverso l'alloggiamento. Gli ioni del rame (Cu^{2+}) presenti nell'acqua sono carichi positivamente e intaccano la parete delle cellule dei batteri, dei virus e degli altri organismi primitivi. Poiché la parete delle cellule è intaccata, essi non sono più in grado di assorbire sostanze nutritive e quindi non possono riprodursi. Questo processo di carica positiva del rame è detto elettrolisi del rame. Il rame presente nell'acqua svolge l'azione di un buffer disinfettante all'interno della piscina, e dà un risultato paragonabile a quello del cloro. La lampada UV-C che si trova nello ionizzatore UV-C Blue Lagoon emana dei raggi UV-C. Le radiazioni UV-C hanno una lunghezza d'onda di 253,7 nm che elimina i batteri, i virus e gli altri organismi primitivi. Grazie alla lunghezza dell'apparecchio, l'acqua viene esposta per un tempo prolungato a questo elevato dosaggio di radiazioni. Le radiazioni distruggono il DNA dei batteri, dei virus e dei microrganismi. L'interno di acciaio inossidabile dell'apparecchio 316L fornisce un riflesso aggiuntivo delle radiazioni UV-C, aumentando fino al 35% l'efficienza dell'apparecchio.

Dalle ricerche è emerso che le radiazioni UV-C disinfettano fino all'80% dell'acqua della piscina. Il rame disinfetta fino al 20% dell'acqua della piscina. Se tutti i valori sono corretti al 100%, le radiazioni UV-C sommate all'elettrolisi del rame permettono di utilizzare la piscina senza fare uso di sostanze chimiche. Grazie allo ionizzatore UV-C Blue Lagoon, l'acqua risulterà disinfettata in modo sicuro ed efficiente, mantenendo una qualità eccellente.

Utilizzo

Dopo avere installato lo ionizzatore UV-C Blue Lagoon sul sistema di tubature, inserendo la spina della presa la lampada UV-C si attiva immediatamente. Prima di attivare lo ionizzatore occorre prima analizzare l'acqua per verificare l'attuale valore del rame nella piscina. L'equilibrio ideale del rame si trova fra 0,4 e 0,7 ppm. Sulla striscia di analisi è possibile vedere se il tenore di rame è troppo alto o troppo basso. Per attivare lo ionizzatore, premere il pulsante "+" sul display (V) (vedere i disegni 2 & 9). Sullo schermo compare in rosso il livello di emissione di cromo. Può essere una cifra compresa fra "0" e "99". Impostando lo ionizzatore su "00", esso si disattiva e non rilascia più rame. La posizione iniziale del display varia in funzione delle dimensioni della piscina e del risultato della striscia di analisi con la quale è stata eseguita la prima analisi dell'acqua. Se dopo la prima analisi il tenore del rame è insufficiente, premendo il pulsante "+" aumentare il valore visualizzato sul display, ad esempio a 30 o a un valore superiore. Dopo una settimana ripetere l'analisi dell'acqua; se la striscia di analisi indica ancora un valore del rame insufficiente, aumentare il valore visualizzato sul display. Se la striscia di prova mostra il valore corretto, compreso fra 0,4 e 0,7 ppm, non occorre modificare nulla sul display. Se il valore del rame è troppo elevato, portare a "00" il valore visualizzato sul display premendo il pulsante "-", in modo che non venga più rilasciato rame nell'acqua. Ripetendo l'analisi dell'acqua dopo una settimana, in base al risultato della striscia di analisi si può vedere se occorre attivare nuovamente lo ionizzatore. Ripetendo le analisi e aumentando o riducendo il valore sul display si trova l'equilibrio del rame giusto per la piscina. Ogni 336 ore, lo ionizzatore si disattiva automaticamente. Le cifre sul display dell'apparecchio non sono più visibili. La lampada UV-C rimane attivata fintantoché è collegata alla corrente. Quando lo ionizzatore è disattivato, si deve analizzare l'acqua utilizzando le strisce di analisi in dotazione. Per riattivare l'apparecchio, premere il pulsante "+". Sul display viene visualizzato nuovamente il valore che era visualizzato prima della disattivazione automatica. Dopo l'attivazione dello ionizzatore non è più possibile disattivare manualmente il display. Dopo 336 ore, il display si disattiva nuovamente in modo automatico. Se si è compiuto un errore, o se non si desidera attivare lo ionizzatore, è sufficiente impostare su "00" il valore sul display. Nel primo mese di utilizzo occorre analizzare settimanalmente l'acqua della piscina fino a raggiungere l'equilibrio desiderato. Dopo un mese si può ridurre la frequenza delle analisi a una volta ogni due settimane. Le strisce di analisi permettono di analizzare anche il valore del pH. Un pH compreso fra 7,0 e 7,6 è il valore ideale per l'elettrolisi del rame.

Se lo si desidera, si può utilizzare il cloro; ovviamente i dosaggi possono essere molto bassi, poiché lo ionizzatore UV-C Blue Lagoon svolge già un'azione ionizzante. È importante utilizzare sempre cloro inorganico (in forma granulare, a bastoncini o a compresse) unitamente a uno ionizzatore. Gli altri tipi di cloro non funzionano in combinazione con l'elettrolisi. Attenzione! Non disporre granulato o compresse di cloro sul fondo della piscina. L'elevata concentrazione di cloro può provocare il deposito degli ioni di rame e la colorazione dell'acqua.

Sostituzione della lampada e dell'unità al rame

La lampada UV-C e l'unità al rame durano 2 stagioni assumendo un utilizzo di 12 ore al giorno per 6 mesi all'anno. Quando sul display dello ionizzatore UV-C Blue Lagoon lampeggia il numero "88", occorre sostituire la lampada UV-C e l'unità al rame. Per il set di ricambio si prega di rivolgersi al distributore presso il quale è stato acquistato l'apparecchio. Per ogni tipo di apparecchio vi è un diverso set di ricambio in base al tipo di lampada UV-C. Dopo la sostituzione della lampada UV-C e dell'unità al rame è possibile azzerare il display premendo contemporaneamente i pulsanti "+" e "-" per 3 secondi.

Set di ricambio: Rame, spia Blue Lagoon da 40 Watt e strisce di analisi, articolo numero: B200012

Set di ricambio: Rame, spia Blue Lagoon da 75 Watt e strisce di analisi, articolo numero: B200013

Vantaggi del trattamento UV-C:

- Mantiene l'acqua fresca, pulita e trasparente
- Disinfetta l'acqua in modo efficiente e sicuro
- Protegge dai ceppi batterici quando si fa il bagno
- Tiene sotto controllo la formazione di muffe, batteri e alghe
- Permette di ridurre del 100% l'uso di cloro e altre sostanze chimiche
- I raggi UV-C scindono i composti clorati
- Più ecologico rispetto ai metodi tradizionali

Caratteristiche dello ionizzatore UV-C Blue Lagoon:

- Permette di fare il bagno senza cloro
- Fino all'80% di disinfezione grazie alle radiazioni UV-C
- Fino al 20% di disinfezione grazie all'elettrolisi del rame
- Interno di acciaio inossidabile 316L, fino al 35% di resa UV-C in più grazie alla riflettanza
- La lampada UV-C e l'unità al rame durano 2 stagioni
- Facilità di installazione e manutenzione
- 2 anni di garanzia sui difetti di fabbricazione
- Lo ionizzatore UV-C Blue Lagoon è collegato a massa

Sicurezza

Questo apparecchio produce raggi nocivi. Il contatto diretto può costituire un rischio per gli occhi e la pelle. Controllare il funzionamento della lampada UV-C esclusivamente attraverso i componenti trasparenti dell'unità.

- L'utilizzo non intenzionale dell'apparecchio o i danni all'alloggiamento possono provocare una fuga di raggi UV-C pericolosi. Anche in dosi ridotte, i raggi UV-C possono provocare danni agli occhi e alla pelle.
- Inserire sempre la spina dell'apparecchio in una presa con sportello collegata a massa.
- Per un collegamento permanente alla rete elettrica occorre soddisfare le prescrizioni dell'azienda energetica. In caso di dubbi sul collegamento, consultare un installatore riconosciuto o l'azienda energetica. Utilizzare sempre un interruttore di perdita a massa (max 30 mA).
- Prima di eseguire interventi di manutenzione o riparazione, estrarre sempre la spina dalla presa. Non inserire/estrarre mai la spina nella/dalla presa tenendo i piedi in una pozzanghera o con le mani bagnate.
- Questo apparecchio non è stato progettato per essere utilizzato da persone (bambini compresi) con capacità fisiche, sensoriali o mentali ridotte, o sprovviste di esperienza e di conoscenza, se non con la supervisione o seguendo le istruzioni per l'uso dell'apparecchio di una persona responsabile della loro sicurezza.
- Tenere i bambini fuori dalla portata di questo apparecchio e del cavo.
- Il cavo di questo apparecchio non può essere sostituito. In caso di danni al cavo elettrico, occorre sostituire la parte elettrica completa dell'apparecchio. Non estrarre mai la spina, e lasciare intatta la parte elettrica. Una parte elettrica con la spina tagliata non è coperta da garanzia.
- È molto importante analizzare l'acqua. Un tenore di rame troppo elevato può provocare la decolorazione dell'acqua della piscina, dei costumi da bagno, delle unghie e dei capelli biondi. Un tenore di rame troppo basso non disinfetta a sufficienza l'acqua. Attenersi all'equilibrio prescritto di 0,4 - 0,7 ppm. Impostare un promemoria nel telefono per evitare di dimenticarsi.
- Non utilizzare MAI lo ionizzatore Blue Lagoon UV-C con un sistema di elettrolisi salina o in un bagno di acqua salata. La combinazione di rame e sale può provocare una reazione chimica altamente tossica.
- Non immergere mai l'apparecchio in acqua.
- Non installare mai l'apparecchio in un punto in pieno sole.
- Installare l'apparecchio in un locale asciutto e adeguatamente ventilato.
- Dopo la disattivazione dell'apparecchio, la lampada rimane calda ancora per 10 minuti circa.
- Non utilizzare l'apparecchio in caso di danni ai componenti (in particolare al vetro al quarzo).
- In caso di rischio di gelo durante i mesi invernali, smontare l'apparecchio.
- Questo prodotto può essere utilizzato esclusivamente in base alle direttive descritte nel presente manuale.
- In caso di utilizzo in associazione con prodotti chimici, leggere sempre le istruzioni per l'uso di questo apparecchio. Dedicare particolare attenzione alle prescrizioni per la sicurezza.

Installazione del cavo di collegamento a massa (Disegno 1)

- 1 Prima di montare il dispositivo antitrazione in plastica (F) sul bullone di collegamento a massa (A) occorre fare passare il cavo (B) attraverso il dispositivo antitrazione (F). Montare il dispositivo antitrazione (F) a circa 10 cm di distanza dall'occhiello (H) del cavo di collegamento a massa (B).
- 2 Disporre l'occhiello (H) del cavo (B) sul bullone di collegamento a massa (A) fissato all'alloggiamento.
- 3 Montare quindi una rondella dentata (C), un dado esagonale (D) e un'altra rondella dentata (E) sull'occhiello (H).
- 4 Fissare il dispositivo antitrazione (F) su di essa in modo da creare un'asola di 5 cm di diametro.
- 5 In ultimo, montare il dado di sicurezza (G) sul bullone di collegamento a massa (A).
- 6 Dopo avere montato i vari dadi nell'ordine giusto sul bullone di collegamento a massa (A), serrarli con una chiave a brugola o a testa esagonale numero 8. Non serrare eccessivamente i dadi, poiché il dispositivo antitrazione può rompersi. (Il dado trasparente avvitato al bullone di collegamento a massa (A) non ha alcuna funzione e può essere gettato via).

Installazione dell'apparecchio (Disegno 2)

Non immergere mai questo apparecchio nell'acqua. Installare sempre l'apparecchio fuori dalla vasca. Quando la lampada è accesa, l'unità deve sempre essere attraversata dall'acqua. Lo ionizzatore UV-C Blue Lagoon non deve mai essere montato sull'impianto della piscina a valle del regolatore di pH. La posizione ideale è a valle della pompa e del filtro.

- 1 Stabilire la posizione desiderata per l'installazione dell'apparecchio.
- 2 Montare l'unità utilizzando i giunti tripartiti (I) nel circuito.
- 3 Montare i morsetti in dotazione (O) in un punto definito, fissare l'unità alle fascette per tubi e serrare il giunto tripartito (I). Accertarsi che vi sia uno spazio sufficiente (+/- 1 m) per smontare la lampada (K) / il vetro al quarzo (M) per la sostituzione e/o la manutenzione.
- 4 Inserire delicatamente la lampada UV-C Blue Lagoon nel vetro al quarzo (M). Fissare la lampada (K) al portalampana (L) e serrare manualmente il dado (N) sull'unità.
- 5 Azionare la pompa e controllare che il sistema non presenti perdite e che l'acqua fluisca senza ostacoli. Prestare attenzione alla posizione delle guarnizioni di tenuta (P) sia a livello dei collegamenti, sia del vetro al quarzo (**vedere il disegno 2**).
- 6 Inserire la spina dell'apparecchio UV-C in una presa a muro con collegamento a massa e dotato di interruttore di perdita a massa. Controllare che la lampada sia accesa attraverso i componenti trasparenti dell'apparecchio.
- 7 Per disattivare completamente l'apparecchio, estrarre la spina dalla presa.
- 8 Accertarsi che vi sia uno spazio libero di +/- 1 m per smontare la lampada (K) / il vetro al quarzo (M) per la sostituzione e/o la manutenzione. Lasciare uno spazio di almeno 30 cm dal lato inferiore per sostituire l'unità al rame (U).

Smontaggio / Manutenzione / Sostituzione del rame e della lampada

Per la manutenzione/lo smontaggio dell'apparecchio, disattivare sempre l'alimentazione di corrente. L'apparecchio deve essere pulito ogni tre mesi. Quando la crescita di alghe e/o i depositi di calcare aumentano, occorre pulire il tubo di vetro al quarzo (M) in cui è inserita la lampada. L'unità al rame può esaurirsi rapidamente per cause esterne. Durante la pulizia, controllare quindi l'unità al rame. In caso di normale utilizzo, la speciale lampada UV-C Blue Lagoon e l'unità al quarzo devono essere sostituite dopo 2 stagioni. Pulire l'interno in acciaio inossidabile con una spazzola morbida.

- 1 Staccare i giunti tripartiti (I) e lasciare defluire l'acqua dall'apparecchio.
- 2 Svitare il coperchio a vite (N) e sollevarlo leggermente insieme alla lampada. Staccare delicatamente la lampada dal portalampana (K). Una volta staccata la lampada, estrarla delicatamente dal vetro al quarzo. Procedere delicatamente, poiché si tratta di componenti molto fragili.
- 3 Smontare delicatamente il vetro al quarzo (M) utilizzando un grande cacciavite piatto (**vedere il disegno 3**). Non forzare!
- 4 Pulire il vetro al quarzo con un detergente adatto. Consigliamo di utilizzare un detergente a base di acido citrico. Utilizzare sempre un panno morbido per pulire il vetro ed evitare di graffiarlo.
- 5 Durante il montaggio del vetro al quarzo nell'alloggiamento, prestare attenzione che le guarnizioni di tenuta (P) siano posizionate correttamente, e fare scorrere delicatamente l'estremità del vetro al quarzo nel ricettacolo (Q) (**vedere il disegno 4**). Non forzare!
- 6 Per sostituire l'unità al rame (U) (**vedere il disegno 3**) aprire il coperchio di protezione (R) del dado a corona (S) con un cacciavite e staccare i fili dal dado a corona. Staccare quindi il coperchio a vite (T) dal lato inferiore dell'apparecchio. Smontare delicatamente l'unità al rame utilizzando un grande cacciavite piatto (**vedere il disegno 3**). Non forzare! Montare quindi una nuova unità al rame nell'apparecchio e ricollegare i fili attraverso il dado a corona (**vedere il disegno 5**). Accertarsi che il colore dei cavi corrisponda: il blu con il blu, il marrone con il marrone. Serrare infine le viti del dado a corona. Rimontare quindi il coperchio di protezione del dado a corona. Controllare che il mantello nero dei due pezzi di cavo sia sufficientemente inserito nel giunto e avvitare il coperchio.
- 7 Quando si smonta un nuovo alloggiamento o un componente elettrico, leggere prima il capitolo Installazione e smontaggio. La parte elettrica dell'apparecchio si trova nell'armadio del display (W) sull'apparecchio. Questo armadio del display è incollato e non si apre. Quando si

sostituisce la parte elettrica, occorre svitare l'armadio elettrico completo e staccare i fili dell'apparecchio (**vedere i disegni 1 e 5**). Svitare il coperchio a vite (**N**) e staccare delicatamente il portalampada dalla lampada. Conservare con cura i vari componenti sciolti del collegamento a massa ecc. Questi non vengono forniti con un nuovo alloggiamento o con una nuova parte elettrica. In caso di dubbi sul collegamento, consultare un installatore riconosciuto.

Lo ionizzatore UV-C Blue Lagoon è disponibile nei seguenti modelli:

Ionizzatore UV-C Blue Lagoon da 40.000 Litri / 40 Watt (230 V; 50/60 Hz) articolo numero: B200002

Ionizzatore UV-C Blue Lagoon da 75.000 litri / 75 Watt (230 V; 50/60 Hz) articolo numero: B200003

Specifiche tecniche	40.000 L	75.000 L
• Spia TUV UV-C	40 Watt	75 Watt
• Emissione di UV-C (W)	15 Watt	25 Watt
• Capacità della piscina (L.)	40.000 L	70.000 L
• Flusso massimo	20.000 l/h	25.000 l/h
• Rame massimo	0,7 p.p.m.	0,7 p.p.m.
• Pressione massima	2 bar	2 bar
• Temperatura massima	50°C	50°C
• Temperatura minima	0°C	0°C
• Formato dell'allacciamento	Ø 63 mm	Ø 63 mm
• Lunghezza dell'apparecchio	100 cm	100 cm

9 PASSI PER UNA PISCINA 'PERFETTA' CON UTILIZZO DI UNO IONIZZATORE.

1. Impatto

Se la piscina non è nuova, filtrare l'acqua e aggiungere 5 ppm di cloro per i 3-5 giorni successivi.

2. Equilibrio

Nella piscina il pH deve essere equilibrato, compreso fra 7,0 e 7,6, da verificare settimanalmente.

3. Sostanze disciolte totali

Il tenore di TDS (sostanze disciolte totali) deve essere compreso fra 750 e 1500 ppm.

4. Acido cianico

Il tenore ideale deve essere compreso fra 0 e 30 ppm.

5. Alcalinità totale

I valori ideali sono compresi fra 80 e 120 ppm. (Normalmente si raggiungono quando il pH è in equilibrio).

6. Durezza calcarea

I valori ideali sono compresi fra 225 e 375 ppm.

7. Installazione dello ionizzatore

Installare lo ionizzatore come descritto nelle istruzioni per l'uso.

8. Livello di rame (0,4 – 0,7 ppm)

Mettere in funzione lo ionizzatore contemporaneamente alla pompa fino a raggiungere il livello di rame desiderato (sono necessarie +/- 2 settimane). Regolare lo ionizzatore in modo che il livello ideale di rame sia compreso fra 0,4 e 0,7 ppm. Per verificarlo utilizzare le strisce di analisi in dotazione.

9. Buon divertimento!

Una volta raggiunto il tenore desiderato di rame, si può trarre il massimo piacere dalla piscina, consapevoli del fatto che l'acqua è della migliore qualità ed è protetta da batteri, virus, muffe e alghe di ogni genere.

Condizioni di garanzia

Con l'acquisto di questo prodotto Lei ha compiuto una scelta eccellente. L'apparecchio è assemblato con cura e tenendo conto di tutte le prescrizioni per la sicurezza applicabili. Per garantirne la qualità, il fornitore ha utilizzato esclusivamente materiali di livello elevato. L'apparecchio è coperto da garanzia per i difetti dei materiali e di fabbricazione per 2 anni a partire dalla data di acquisto. La lampada e il vetro al quarzo non sono coperti da garanzia. La garanzia si applica soltanto a condizione che il prodotto sia rispedito franco fabbrica unitamente a una prova di acquisto valida. La garanzia decade in caso di errori di installazione e azionamento, mancata ottemperanza alle prescrizioni per la sicurezza, manutenzione errata o insufficiente, danni e modifiche tecniche. In caso di richiesta di garanzia, il fornitore si riserva il diritto di riparare o di sostituire totalmente l'apparecchio, a sua discrezione. I danni conseguenti sono esclusi dalla garanzia. I reclami basati sui danni durante il trasporto possono essere accettati soltanto a condizione che il danno sia stato constatato o confermato al momento della consegna dal trasportatore o dall'addetto alla consegna postale. Soltanto in questo caso è possibile rivalersi sul trasportatore o sul servizio postale.

Blue Lagoon UV-C Copper Ionizer 40.000 - 75.000 P

Leia atentamente as instruções de uso antes de instalar este aparelho.

Funcionamento

A Blue Lagoon UV-C Copper Ionizer purifica a água da sua piscina por meio de electrólise de cobre em combinação com radiação UV-C. A Blue Lagoon UV-C Copper Ionizer é instalada na tubagem do sistema a seguir ao filtro da piscina. A água da piscina passa pela armação da Blue Lagoon UV-C Copper Ionizer. Dentro desta armação encontra-se uma lâmpada UV-C e uma unidade de cobre, chamada ionizador. A unidade de cobre dilui um pouco de cobre na água que passa pela armação. Estes iões de cobre (Cu2+) na água têm uma carga positiva e afectam as paredes celulares de bactérias, vírus e outros organismos primitivos. Devido ao facto de ficarem com as paredes afectadas, estas não podem absorver alimentos e consequentemente não se podem multiplicar. A este processo de carga positiva do cobre chama-se também electrólise de cobre. O cobre na água funciona como um tampão desinfectante na sua piscina e no que respeita aos resultados pode-se comparar com os efeitos alcançados com o cloro. A lâmpada UV-C que se encontra na Blue Lagoon UV-C Copper Ionizer, gera luz UV-C. Esta luz UV-C provoca uma radiação de UV-C com um comprimento de onda de 253,7 nm, que mata as bactérias, vírus e outros organismos primitivos. Graças à extensão do aparelho, a água é submetida por um período extra logo de tempo a uma dose de radiação alta. A radiação destrói o ADN das bactérias, vírus e microrganismos. O interior da armação em aço inoxidável 316L encarrega-se de reflexão suplementar da radiação de UV-C que aumenta a eficiência em 35%.

Investigação demonstra que a luz UV-C desinfecta até aos 80% a água duma piscina. O cobre desinfecta até 20% da água. Desde que todos os valores estejam 100% correctos, uma combinação de UV-C com electrólise de cobre torna possível nadar em água sem químicos. Graças à Blue Lagoon UV-C Copper Ionizer a água da sua piscina é desinfectada de uma maneira eficiente e segura garantindo-lhe uma qualidade estupenda da água.

Utilização

Depois da instalação da Blue Lagoon UV-C Copper Ionizer no sistema de canalização ligue a lâmpada UV-C imediatamente a seguir ao ligar a ficha à tomada eléctrica. Antes de ligar o Ionizador, deverá testar primeiro o teor de cobre existente na água da sua piscina. O teor ideal situa-se entre os 0,4 e 0,7 ppm. Na palheta de teste pode-se ler se o teor de cobre está alto ou baixo demais.

O Ionizador liga-se carregando no botão “+” do mostrador (V) (veja-se figuras 2 & 9). No mostrador aparece então em vermelho o nível de libertação de cobre. Este pode ser um valor de “0” a “99”. Quando você meter o Ionizador a “00”, ele fica desligado e não liberta cobre. O primeiro valor inicial do mostrador para começar depende das dimensões da piscina e do resultado da palheta de teste aquando do primeiro teste da água. Caso a seguir ao primeiro teste o teor de cobre esteja baixo demais, aumente-o carregando no botão “+” do mostrador para um valor de 30 ou mais. Volte a testar a água uma semana depois e caso a palheta de teste continue a revelar um baixo teor de cobre, aumente o número no mostrador. Caso a palheta de teste revele o valor adequado de 0,4 a 0,7 ppm nesse caso não precisa alterar nada no mostrador. Quando o teor de cobre for alto demais, diminua-o passando o valor do mostrador para “00” através do botão “-”, travando deste modo a libertação de cobre na água. Quando uma semana depois voltar a testar a água, verá no resultado da palheta de teste se já pode voltar a ligar o Ionizador. Com a continuação destes testes ajustando para baixo ou para cima o mostrador vai encontrar finalmente o equilíbrio desejado do teor de cobre na sua piscina.

O Ionizador desliga-se automaticamente de duas em 336 horas. Vê-se no mostrador que os números estão apagados. A lâmpada UV-C fica acesa durante todo o tempo em que está ligada à corrente. Quando o Ionizador estiver desligado, você deve obrigatoriamente testar a água com as palhetas que lhe foram fornecidas. O Ionizador liga-se carregando no botão “+”. No mostrador aparece o mesmo número em que estava regulado antes de desligar automaticamente. Depois de ligar o Ionizador, este já não pode ser desligado. Este desligará automaticamente daí a 336 horas. Para o caso de você se ter enganado ou no caso de não querer voltar a ligar o Ionizador, você pode ajustar o mostrador no “00”.

No primeiro mês de utilização você deve testar a água da piscina todas as semanas até conseguir o equilíbrio desejado. Depois desse mês os testes podem ser reduzidos para um vez de quinze em quinze dias. Os valores de PH também podem ser testados com as palhetas de teste. Um valor de PH entre 7.0 – 7.6 é o valor ideal para electrolise de cobre.

O cloro pode utilizá-lo caso assim o deseje, como é óbvio o doseamento será muito baixo porque o trabalho de desinfecção já é feito pela Blue Lagoon UV-C Copper Ionizer. É importante que use sempre cloro inorgânico (líquido, granulado, barras ou pastilhas) em combinação com um Ionizador. As outras espécies de cloro não se combinam com electrólise de cobre.

Atenção! Não coloque granulado ou pastilhas de cloro no fundo da piscina. Os iões de cobre podem depositar-se devido à forte concentração de cloro e originar manchas.

Substituição da lâmpada e unidade de cobre

Tanto a lâmpada UV-C como a unidade de cobre dão para 2 estações balneares com uma utilização de 12 horas por dia e 6 meses por ano. Caso no mostrador da Blue Lagoon UV-C Copper Ionizer piscar o número “88” tanto a lâmpada UV-C como a unidade de cobre devem ser substituídos. Para adquirir um kit de substituição deve dirigir-se ao fornecedor onde comprou o aparelho. Cada tipo de aparelho tem o seu próprio kit de substituição, isto em relação ao tipo de lâmpada UV-C utilizada. Ao substituir a lâmpada UV-C e a unidade de cobre faça um reset do mostrador carregando simultaneamente durante 3 segundos nos botões “+” e “-”.

Kit de substituição: Cobre, lâmpada Blue Lagoon 40 Watt & palhetas de teste artigo número: B200012

Kit de substituição: Cobre, lâmpada Blue Lagoon 75 Watt & palhetas de teste artigo número: B200013

Vantagens de tratamento com UV-C:

- Proporciona água limpa, fresca e límpida
- Desinfecta a água de maneira eficiente e segura
- Protege a piscina contra agentes patogénicos
- Controla a formação de fungos, bactérias e algas
- Torna possível a redução de cloro e outros químicos em 100%
- Luz UV-C degrada compostos de cloro
- Amigo do ambiente quando comparado com métodos tradicionais

Características da Blue Lagoon UV-C Copper Ionizer:

- Possibilita a existência de uma piscina sem cloro
- Desinfeção até 80% por UV-C
- Desinfeção até 20% por electrolise de cobre
- Interior 316L INOX com rendimento superior a 35% por reflexão
- Lâmpada UV-C e unidade de cobre suficientes para 2 épocas balneares
- Instalação e manutenção fáceis
- 2 anos de garantia sobre falhas de fabrico
- A Blue Lagoon UV-C Copper Ionizer tem ligação neutro

Segurança

Este aparelho provoca radiação prejudicial. O contacto directo pode ser perigoso para os olhos e a pele. Controle o funcionamento da lâmpada UV-C exclusivamente através das partes transparentes da unidade.

- Uma utilização desapropriada do aparelho ou deterioração da armação podem originar uma fuga de radiação de UV-C perigosa. Mesmo em pequenas doses a radiação UV-C, pode provocar danos nos olhos e pele.
- Ligue a ficha do aparelho sempre a uma tomada com uma tampa de protecção.
- Para uma ligação permanente à rede eléctrica devem ser observados os requisitos de segurança da companhia de electricidade. Em caso de dúvidas consulte um electricista profissional reconhecido ou a companhia de electricidade. Aplique sempre um disjuntor diferencial na instalação (máx. 30mA).
- Desligue o aparelho da corrente eléctrica sempre que efectue operações de manutenção ou reparações. Nunca retire ou coloque a ficha na tomada se estiver dentro de uma poça de água ou tenha as mãos molhadas.
- Este aparelho não foi concebido para ser utilizado por pessoas (crianças incluídas) com limitações físicas, sensitivas ou mentais, ou sem experiência ou conhecimento, a não ser que estas sejam assistidas ou recebem instruções sobre a utilização deste aparelho por uma pessoa que se responsabiliza pela sua segurança.
- Mantenha as crianças fora do alcance do aparelho e cabo de alimentação.
- O cabo de alimentação do aparelho não pode ser substituído. Em caso de danificação do cabo de alimentação tem de se substituir a parte eléctrica do aparelho por completo. Não substitua nunca a ficha e mantenha a parte eléctrica intacta. A parte eléctrica com uma ficha não original não é abrangida pela garantia.
- Os testes da água são de enorme importância! Uma concentração de cobre muito alta pode provocar coloração da água, roupa de banho, unhas e do cabelo louro. Uma concentração baixa demais não desinfecta suficientemente a água. Observe o balanço prescrito de 0,4 a 0,7 ppm. Coloque um aviso no seu telemóvel para evitar que se esqueça.
- NUNCA utilize a Blue Lagoon UV-C Copper Ionizer em combinação com um sistema de electrólise de sal ou para uma piscina de água salgada. A combinação de cobre e sal pode causar uma reacção química extremamente tóxica.
- Não mergulhe nunca o aparelho na água.
- Não instale o aparelho em local exposto à radiação solar.
- Faça a instalação num espaço seco e bem ventilado.
- A lâmpada permanece quente pelo menos ainda 10 minutos após ter sido desligada.
- No caso de deterioração das peças (sobretudo no vidro de quartzo), não utilizar o aparelho.
- Havendo o perigo de congelamento durante os meses de Inverno, deve desmantelar o aparelho.
- Este produto deve ser utilizado exclusivamente segundo as instruções constantes deste manual.
- Leia sempre as instruções de uso quando com produtos químicos. Dedique especial atenção às regras de segurança.

Instalação do cabo terra (Desenho 1)

- 1 Antes de montar o protector sintético (F) no parafuso terra (A), tem de passar primeiro o cabo (B) pelo protector (F). Coloque o protector (F) a cerca de 10cm de distância do olhal (H) do cabo terra (B).
- 2 Coloque o olhal (H) do cabo (B) sobre o parafuso terra (A) que está fixado à armação.
- 3 Coloque seguidamente a anilha recartilhada (C), a porca sextavada (D) e novamente uma anilha recartilhada (E) sobre o olhal (H).
- 4 Fixe o protector (F) por cima de modo a que surja um arco de \varnothing 5cm.
- 5 Por fim monte a contra porca (G) em cima do parafuso terra (A).
- 6 Se as diversas porcas foram colocadas na ordem exacta no parafuso terra (A), esta pode depois com uma chave de bocas ou de sextavado interior número 8, ser apertada. Contudo cuidado para não apertar demais para não rachar o protector sintético. (A porca transparente enroscada no parafuso terra (A) dentro da embalagem, não tem qualquer serventia e pode ser deixada fora).

Instalação do aparelho (Desenho 2)

Não mergulhe nunca o aparelho na água. Fazer a instalação sempre fora da piscina. Faça com que corra sempre água pela unidade quando a lâmpada está acesa. A Blue Lagoon UV-C Copper Ionizer nunca pode ser montada depois do regulador de pH da sua piscina. O local ideal de montagem é após a bomba e o filtro.

- 1 Determine a posição desejada para instalar o aparelho.
- 2 Monte a unidade por meio das três ligações (I) no circuito.
- 3 Monte as braçadeiras de tubos fornecidas (O) num lugar fixo, fixe a unidade às braçadeiras e aperte as três ligações (I). Deixe o suficiente espaço livre (+/- 1m) para substituição ou manutenção da lâmpada (K)/ vidro de quartzo (M).
- 4 Enfie com cuidado a lâmpada Blue Lagoon UV-C no vidro de quartzo (M). Fixe a lâmpada (K) no casquilho (L) e aperte com os dedos a porca (N) na unidade.
- 5 Ponha a bomba a funcionar e controle o sistema quanto à passagem de água e existência de fugas. Tome especial atenção à posição correcta das juntas vedantes (P) tanto nas ligações como no vidro de quartzo (**veja-se desenho 2**).
- 6 Ligue a ficha do aparelho UV-C a uma tomada com ligação terra e equipada com interruptor diferencial de corrente residual. Controle através das partes transparentes do aparelho se a lâmpada se acende.
- 7 Só desligando a ficha da tomada se desliga completamente o aparelho.
- 8 Certifique-se que deixa o suficiente espaço livre (+/- 1m) para substituição ou manutenção da lâmpada (K)/ vidro de quartzo (M). Na parte inferior deverá deixar 30cm livres para substituição da unidade de cobre (U).

Desmontagem / Manutenção / Substituição de cobre e lâmpada

Nas tarefas de manutenção/desmontagem desligue sempre o aparelho da corrente. O aparelho deve ser limpo todos os três meses. Quando algas ou calcificação aumentem, deve-se proceder à limpeza do tubo de vidro de quartzo (M) onde se encontra a lâmpada. A unidade de cobre pode, devido a circunstâncias externas, gastar-se mais rapidamente. Controle, por isso, durante as tarefas de manutenção, também a unidade de cobre. A lâmpada especial Blue Lagoon UV-C e a unidade de cobre, com uma utilização normal, devem ser substituídos após 2 épocas balneárias. O interior em INOX pode ser limpo com a utilização duma escova macia.

- 1 Desaperte as três ligações (I) e deixe escorrer a água do aparelho.
- 2 Desenrosque a tampa roscável (N) e levante-a um pouco com a lâmpada. Retire a lâmpada com cuidado do casquilho (K). Quando tiver a lâmpada solta, retire-a com cuidado do vidro de quartzo. É necessário um cuidado extremo por se tratar de material muito frágil.
- 3 Retire o vidro de quartzo (M) com cuidado utilizando para tal uma chave de fendas (**veja-se desenho 3**). Não force nunca!
- 4 Limpe o vidro de quartzo com um produto adequado. Aconselhamos um produto de limpeza à base de ácido cítrico. Utilize sempre um pano macio na limpeza do vidro, evite riscos.
- 5 Ao recolocar o vidro na caixa tome atenção à posição das juntas vedantes (P) e faça deslizar a ponta do vidro de quartzo com cuidado no bloco de apoio (Q) (**veja-se desenho 4**). Não force nada!
- 6 Para substituir a unidade de cobre (U) (**veja-se desenho 3**) desaperte com uma chave de fendas a tampa protectora (R) da barra de conexão (S) e desaparafuse os fios da barra de conexão. Desenrosque depois a tampa (T) na parte inferior do aparelho. Retire com cuidado a unidade de cobre utilizando uma chave de fendas larga (**veja-se desenho 3**). Não force nunca! Coloque depois a unidade de cobre nova no aparelho e faça as ligações dos cabos novamente na barra de conexão (**veja-se desenho 5**). Certifique-se que as cores dos cabos correspondem: azul com azul, castanho com castanho. Aperte finalmente os parafusos da barra de conexão. Seguidamente recoloca a tampa de protecção da barra de conexão. Controle se o comprimento da cobertura preta de ambos os cabos é o suficiente dentro da caixa de conexão e volte a aparafusar a tampa.
- 7 Para desmontar uma armação nova ou a parte eléctrica, leia primeiro o capítulo Instalação e Desmontagem. A parte eléctrica do aparelho encontra-se na caixa do mostrador (W). Esta caixa do mostrador está colada e por tal não se pode abrir. Na substituição da parte eléctrica a caixa deve ser desaparafusada por inteiro e os fios do aparelho tem de ser desligados (**veja-se desenhos 1 & 5**). Desenrosque a tampa (N) e

separe o casquilho da lâmpada com cuidado. Guarde com cuidado algumas peças soltas como p.ex. a ligação terra, etc. Estas não são fornecidas com a armação ou parte eléctrica novas. Se eventualmente tiver dúvidas sobre as ligações deverá consultar o electricista profissional.

A Blue Lagoon UV-C Copper Ionizer existe nos seguintes tipos:

Blue Lagoon UV-C Copper Ionizer 40.000 Litros / 40 Watt (230V; 50/60Hz) artigo número: B200002

Blue Lagoon UV-C Copper Ionizer 75.000 Litros / 75 Watt (230V; 50/60Hz) artigo número: B200003

Especificações Técnicas	40.000 L	75.000 L
• Lâmpada TUV UV-C	40 Watt	75 Watt
• UV-C output (W)	15 Watt	25 Watt
• Volume piscina (L.)	40.000 L	70.000 L
• Deslocação máxima	20.000 l/h	25.000 l/h
• Cobre máximo	0,7 p.p.m.	0,7 p.p.m.
• Pressão máxima	2 bar	2 bar
• Temperatura máxima	50°C	50°C
• Temperatura mínima	0°C	0°C
• Ligação formato	Ø 63 mm	Ø 63 mm
• Comprimento aparelho	100 cm	100 cm

9 PASSOS PARA A PISCINA PERFEITA COM O USO DE UM IONIZADOR

1. Choque

Se a sua piscina não for totalmente nova, filtre a água e provoque um impulso de 5 ppm de cloro durante 3 a 5 dias consecutivos.

2. Equilíbrio

A sua piscina deve ter um equilíbrio de pH situado entre os 7.0 e 7.6, testado semanalmente

3. Substâncias totalmente dissolvidas

O teor de TDS [sólidos dissolvidos totais] tem de situar-se entre os 750 e 1500 ppm.

4. Ácido cianídrico

O teor ideal situa-se entre 0 e 30 ppm.

5. Alcalinidade total

Os valores ideais situam-se entre os 80 e 120 ppm. (Normalmente são conseguidos quando há um equilíbrio de pH)

6. Dureza em carbonato de cálcio

Os valores ideais situam-se entre os 225 e 375 ppm.

7. Instalação de um ionizador

Instale o seu ionizador de acordo com as instruções do manual.

8. Nível de cobre (0,4 – 0,7 ppm)

Ponha o seu ionizador a funcionar juntamente com a bomba de água até atingir o nível de cobre aconselhado (demora cerca de 2 semanas).

Regule o seu ionizador de modo que o nível ideal de cobre se situe entre os 0,4 e 0,7 ppm. Estes valores podem ser controlados com tiras de teste fornecidas.

9. Desfrute!

Agora que o teor de cobre chegou ao nível desejado, pode desfrutar da sua piscina, ciente que a água é da melhor qualidade e que está protegida contra bactérias, vírus, bolores e todas as espécies de algas.

Condições de garantia

Fez uma escolha excelente ao escolher este produto. Este aparelho foi montado com todo o cuidado e com a aplicação de todas as prescrições de segurança. Para garantir a qualidade o seu fornecedor utilizou exclusivamente material de alta resistência. O fornecedor garante o aparelho durante 2 anos a contar da data de aquisição contra falhas de material ou de fabrico. A lâmpada e o vidro de quartzo não são abrangidos por esta garantia. Os casos de garantia são apenas tratados quando o produto for enviado sem custos de transporte e acompanhado da nota de aquisição válida. A garantia não se aplica aos casos de erros de instalação e manejo, utilização indevida, não observação das prescrições de segurança, manutenção deficiente, danos, tal como ainda com a realização posterior de modificações técnicas. O fornecedor reserva-se o direito de nos casos de reclamações dentro da garantia fazer as devidas reparações ou proceder à sua substituição por inteiro. A garantia não abrange indemnizações por prejuízos. Reclamações que se referem a estragos motivados por transporte só são aceites quando os estragos no momento da entrega pelo expedidor ou correios foram pelos próprios constatados ou confirmados. Só nestes casos é possível, apresentar reclamações perante o expedidor ou correios.

Läs först den här bruksanvisningen noga innan du installerar apparaten.

Funktion

Blue Lagoon UV-C Joniserare renar ditt bassängvatten med kopparelektrolys i kombination med UV-C strålning. Blue Lagoon UV-C Joniserare placeras på ledningssystemet efter bassängbadfiltret. Bassängvattnet strömmar genom Blue Lagoon UV-C Joniserarens hölje. Innanför höljet finns en UV-C lampa och en kopparenhet kallad Joniseraren. Till det vatten som strömmar genom höljet avger kopparenheten lite grann koppar. Dessa kopparjoner (Cu²⁺) är positivt laddade i vattnet och angriper bakteriers cellväggar, virus och andra primitiva organismer. Genom att cellväggen blir angripen kan de inte tillgodogöra sig några födoämnen och kan därmed inte heller föröka sig. Denna process med positivt laddad koppar kallas kopparelektrolys. Koppar i vattnet fungerar som desinfektionsbuffert i din simbassäng och kan när det gäller effekten jämföras med klor. UV-C lampan som sitter i Blue Lagoon UV-C Joniserare alstrar UV-C ljus. Detta har en UV-C strålning på 253,7 nm våglängd som sörjer för att bakterier, virus och andra primitiva organismer dödas. Genom apparatens längd exponeras vattnet extra länge för denna höga dos strålning. Strålningen tillintetgör DNA från bakterier, virus och mikroorganismer. Innersidan på höljet (316 liter) av rostfritt stål ger extra reflektering av UV-C strålningen så att effektiviteten ökas med 35 %.

Av undersökningar framgår att UV-C ljuset desinfekterar bassängvattnet upp till 80 %. Koppar desinfekterar bassängvattnet upp till 20 %. Förutsatt att alla värden stämmer 100 % riktigt gör UV-C i kombination med kopparelektrolys det möjligt att bada utan kemikalier. Tack vare Blue Lagoon UV-C Joniserare kommer ditt vatten att desinfekteras på ett effektivt och säkert sätt och bibehåller du en förträfflig vattenkvalitet.

Användning

Efter installation av Blue Lagoon UV-C Joniseraren på ditt ledningssystem kopplas UV-C lampan direkt till när du stuckit stoppkontakten i eluttaget. Innan du kopplar till Joniseraren ska du först testa vattnet för att få reda på vad det nuvarande kopparvärdet är i din simbassäng. Den bästa tänkbara kopparbalansen ligger mellan 0,4 och 0,7 ppm. På testremsan kan du avläsa om din kopparhalt är för låg eller för hög.

Joniseraren kopplar du till genom att trycka på "+"-knappen på displayen (V) (se illustration 2 & 9). På skärmen kommer läget upp i rött för kopparavgivande. Det kan vara en siffra mellan "0" och "99". Om du ställer in Joniseraren på "00" är den frånslagen och avger den inte längre någon koppar. Det första startläget att börja med är beroende på din simbassängs storlek och resultatet från testremsan när du utförde det första vattentestet. Om kopparhalten ligger för lågt efter första testet höjer du det med "+"-knappen på displayen till t.ex. 30 eller högre. Efter en vecka testar du på nytt vattnet och om testremsan fortfarande anger ett för lågt kopparvärde höjer du värdet på displayen. Om testremsan har rätt värde mellan 0,4 till 0,7 ppm behöver du inte ändra något på displayen. Om kopparvärdet är för högt sänker du displayen till "00" med "-"-knappen så att det inte avges någon koppar längre till vattnet. Om du testar vattnet igen efter en vecka ser du på testremsan om du kan koppla till Joniseraren igen. Genom att hela tiden testa vattnet och höja eller sänka displayen kommer du till slut att få rätt kopparbalans i din simbassäng.

Varannan vecka kopplar Joniseraren automatiskt från. På apparaten kan du se att siffrorna i displayen inte lyser längre. UV-C lampan är tillslagen så länge som den är ansluten till elströmmen. När Joniseraren är frånkopplad är det obligatoriskt att testa vattnet med de medlevererade testremsorna. Du slår då på apparaten igen med "+"-knappen. Läget som var inställt på displayen innan den automatiskt kopplade ifrån kommer nu upp på displayen på nytt. Efter tillkopplingen av Joniseraren kan du inte längre själv koppla ifrån displayen. Den kopplas automatiskt ifrån efter 336 timmar. Om du gjort ett misstag eller om du inte vill slå på Joniseraren kan du ställa in displayen på läget "00".

Under den första månaden du använder den får du testa badvattnet varje vecka tills du uppnått önskad balans. Efter en månad kan du minska testen till 1 gång varannan vecka. pH-värdet kan du också testa med testremsorna. Ett pH-värde som ligger mellan 7,0 och 7,6 är det bästa tänkbara värdet med kopparelektrolys.

Om så önskas får du använda klor men självklart kan du dosera det mycket lågt därför att Blue Lagoon UV-C Joniserare redan gör sitt desinfekterande arbete. Det är viktigt att du alltid använder oorganiskt klor (flytande, granulat, stavar eller tabletter) i kombination med en joniserare. Andra klorarter fungerar inte i kombination med kopparelektrolys.

Obs! Lägga inte granulat eller klortabletter på bassängens botten. Kopparjoner kan genom en stark koncentration av klor slå ner och orsaka missfärgning.

Byte av lampa och kopparenhet

UV-C lampan och kopparenheten håller i två badsäsonger vid en användning på 12 timmar om dagen under 6 månader om året. Om numret "88" börjar blinka på displayen till Blue Lagoon UV-C Joniseraren ska du ersätta UV-C lampan och kopparenheten. För en utbytessats kan du vända dig till din distributör där du köpt apparaten. Varje typ av apparat har en egen utbytessats med hänsyn till typ av UV-C lampa. När du bytt ut UV-C lampan och kopparenheten kan du återställa displayen genom att samtidigt trycka in "+" och "-" knapparna under tre sekunder.

Utbytessats: Koppar, Blue Lagoon lampa 40 watt & testremсор artikelnummer: B200012

Utbytessats: Koppar, Blue Lagoon lampa 75 watt & testremсор artikelnummer: B200013

Fördelar med UV-C behandling:

- Ger fräsch, rent och klart vatten
- Desinfekterar vattnet på ett effektivt och säkert sätt
- Skyddar din pool/bassäng mot sjukdomsalstrande organismer
- Håller tillväxten av mögel, bakterier och alger under kontroll
- Kan minska användningen av klor och andra kemikalier med 100 %
- UV-C-ljuset bryter ned bundet klor
- Bättre för miljön i jämförelse med traditionella metoder

Egenskaper för Blue Lagoon UV-C Joniseraren:

- Det går att bada utan klor
- Desinfekterar upp till 80 % genom UV-C
- Desinfekterar upp till 20 % genom kopparelektrolys
- Rostfritt stål på höljetts innersida (316 liter) ger upp till 35 % mer UV-C genom reflektioner
- UV-C lampa och kopparenhet håller i 2 badsäsonger
- Enkel installation och enkelt underhåll
- 2 års garanti på fabriktionsfel
- Blue Lagoon UV-C Joniseraren är jordad

Säkerhet

- Oavsiktlig användning av apparaten eller skada på höljet kan leda till att skadlig UV-C strålning kommer ut. UV-C strålning kan, t.o.m. vid små doseringar orsaka skada på ögon och hud.
- Stick alltid stoppkontakten i en jordad kontaktdosa med stängningsklaff.
- För en permanent anslutning till elnätet ska man uppfylla föreskrifterna från energileverantören. Vid eventuella tvivelsmål om anslutningen kontaktar man en behörig installatör eller energileverantören. Arbeta alltid med en jordfelsbrytare (max 30mA).
- Dra alltid ut stickkontakten ur eluttaget innan underhålls- eller reparationsverksamheter utförs på apparaten. Stick aldrig i eller dra ut kontakten om du står i en pool med vatten eller om händerna är våta.
- Apparaten är inte avsedd för användning av personer (inklusive barn) med reducerade kroppsliga, sensoriska eller psykiska egenskaper eller som har brist på erfarenhet och kunskaper såvida de inte står under tillsyn eller blir instruerade om användningen av apparaten av en person som bär ansvar för deras säkerhet.
- Håll alltid barn utom räckhåll för apparat och ledningar.
- Apparattens kabel kan inte bytas ut. Om kabeln blir skadad måste hela den elektriska delen bytas ut. Avlägsna aldrig kontakten utan låt den elektriska delen vara intakt. En eldel med avklippt kontakt täcks inte av garantin.
- Att testa vattnet är av stor vikt! En för hög kopparhalt kan leda till missfärgning på bassäng, badkläder, naglar eller ljus hår. En för låg kopparhalt kan inte desinfektera vattnet tillräckligt. Håll dig till föreskriven balans på 0,4 till 0,7 ppm. Spara en påminnelse i din mobiltelefon för att förebygga att du glömmet det.
- Använd Blue Lagoon UV-C Joniseraren ALDRIG i kombination med ett salt elektrolyssystem eller i salt badvatten. Att kombinera koppar och salt kan leda till en kemisk reaktion som är mycket giftig.
- Apparaten får aldrig doppas i vatten.
- Installera aldrig apparaten på en plats direkt i solen.
- Installera alltid apparaten i ett torrt och väl ventilerat utrymme.
- Efter frånkoppling av apparaten kommer lampan att vara varm i ungefär 10 minuter.
- Vid skada på materialdelar (i synnerhet på kvartsglas) kan apparaten inte användas.
- Om det finns risk för att apparaten kan frysa till på vintern ska den tas bort.
- Apparaten ska enbart användas efter de riktlinjer som har beskrivits i den här bruksanvisningen.
- Vid användning av apparaten i kombination med kemikalier ska man alltid läsa bruksanvisningen för den produkten. Ägna särskild uppmärksamhet åt säkerhetsföreskrifterna.

Installation av jordningskabel (illustration 1)

1 Innan låssprinten av plast (F) monteras på jordningsbulten (A) ska kabeln (B) föras genom låssprinten (F). Placera låssprinten (F) cirka 10 cm från ringen (H) på jordningsledningen (B).

2 Placera kabelns (B) ring (H) över jordningsbulten (A) som är fäst på höljet.

- 3 Trä sen en låsbricka (C), en sexkantig låsmutter (D) och ännu en låsbricka (E) på ringen (H).
- 4 Sätt på låssprinten (F) ovanpå så att det uppstår en ögla på Ø 5cm.
- 5 Fäst till sist låsmuttern (G) på jordningsbulten (A).
- 6 Om de olika skruvarna har fästis i rätt ordning på jordningsbulten (A) kan den nu dras åt med en (skift)nyckel eller fast nyckel nummer 8. Se till att bulten inte dras åt för hårt, då kan låssprinten skadas.
(Den genomskinliga muttern som vid leveransen skruvats fast på jordningsbulten (A) har inte längre någon funktion och kan kastas bort.)

Installation av apparat (illustration 2)

Apparaten får aldrig doppas i vatten. Installation ska alltid ske utanför bassängen. Se till att det alltid strömmar vatten genom enheten när lampan är tänd. Blue Lagoon UV-C Joniserare får aldrig placeras efter pH-regleraren på din simbassänginstallation. Bästa platsen är efter pumpen och filtret.

- 1 Välj önskad position för att installera apparaten.
- 2 Montera enheten med hjälp av de tredelade kopplingarna (I) i kretsen.
- 3 Montera de medlevererade rörklämmorna (O) på en fast plats. Fäst apparaten i rörklämmorna och dra åt den tredelade kopplingen (I). Se till att det finns tillräckligt utrymme (ca 1 m.) över för att avlägsna lampa (K) och kvartsglas (M) för utbyte och/eller underhåll.
- 4 Skjut försiktigt Blue Lagoon UV-C lampan in i kvartsglas (M). Fäst lampan (K) i lamphållaren (L) och dra åt muttern (N) för hand på enheten.
- 5 Sätt igång pumpen och kontrollera systemet på genomflöde och evt läckage. Tänk då speciellt på rätt läge för tätningsringarna (P) såväl vid anslutningarna som vid kvartsglas (se illustration 2).
- 6 Stick stoppkontakten från UV-C apparaten i en väggkontakt med jordning och försedd med en jordfelsbrytare. Kontrollera så att lampan är tänd genom en av apparatens genomskinliga delar.
- 7 Du kopplar helt ifrån apparaten genom att dra ut stickkontakten ur vägguttaget.
- 8 Se till att det finns ca 1 meter fritt utrymme över för att avlägsna lampa (K) och kvartsglas (M) för utbyte och/eller underhåll och minst 30 cm på undersidan för utbyte av kopparenhet (U).

Nedmontering / Underhåll / Byte av koppar & lampa

Vid apparatens underhåll/nedmontering ska alltid strömtillförseln stängas av. Apparaten ska rengöras var tredje månad. Om alg tillväxt och/eller kalkavlagring ökar måste rören av kvartsglas (M) som lampan befinner sig rengöras. Kopparenheten kan genom påverkan utifrån vara slut tidigare. Kontrollera därför vid rengöring också kopparenheten. Den speciella Blue Lagoon UV-C lampan och kopparenheten ska vid normal användning bytas ut efter två badsäsonger. Insidan av rostfritt stål rengörs med en mjuk borste.

- 1 Skruva loss de tredelade kopplingarna (I) och låt vattnet strömma ut ur apparaten.
- 2 Skruva loss skruvlocket (N) och dra ut det en bit med lampan uppåtriktad. Lösgör lampan försiktigt från lamphållaren (K). När lampan har lossnat drar du ut den försiktigt ur kvartsglas (M). Var varsam, delarna är mycket ömtåliga.
- 3 Ta försiktigt bort kvartsglas (M) med en stor, platt skruvmejsel (se illustration 3). Ta aldrig i för hårt!
- 4 Rengör kvartsglas (M) med ett lämpligt medel. Vi rekommenderar ett rengöringsmedel baserat på citronsyra. Använd alltid en mjuk trasa för att rengöra glas (M), undvik repor.
- 5 När kvartsglas (M) sätts tillbaka i höljet ska du tänka på rätt position för tätningsringarna (P) och skjut utändan på kvartsglas (M) försiktigt in i stödbiten (Q) (se illustration 4). Gå varsamt till väga!
- 6 För att byta ut kopparenheten (U) (se illustration 3) skruvar du loss skyddskåpan (R) från kontaktdonet (S) helt öppen med en skruvmejsel och lossar på ledningarna från kontaktdonet. Sen skruvar du loss vridlocket (T) på apparatens undersida. Ta försiktigt ut kopparenheten med en stor, platt skruvmejsel (se illustration 3). Gå försiktigt till väga! Sen sätter du in den nya kopparenheten i apparaten och kopplar ledningarna via kontaktdonet på nytt via detta (se illustration 5). Se till att färgerna från ledningarna överensstämmer med varandra: blå hör till blå och brun till brun. Dra till slut åt skruvarna på kontaktdonet. Skyddskåpan till kontaktdonet sätter du sen tillbaka. Kontrollera så att den svarta manteln på båda ledningsbitarna sitter tillräckligt långt in i kopplingsbiten. Skruva sen fast locket.
- 7 Vid nedmontering av ett nytt hölje till en elektrisk del bör du först läsa kapitel Installation och nedmontering. Apparaten elektriska del sitter i apparatens displayskåp (W). Detta är limmat och går inte att öppna. Vid utbyte av en elektrisk del ska hela skåpet skruvas loss och apparatens ledningar lösgöras (se illustration 1 & 5). Skruva loss vridlocket (N) och lossa försiktigt på lamphållaren från lampan. Se till att du bevarar olika delar som jordning etc väl. De levereras inte med ett nytt hölje eller en elektrisk del. Vid evt tvivel om anslutningarna, rådgör med en behörig installatör.

Blue Lagoon UV-C Joniserare finns i följande typer:

Blue Lagoon UV-C Joniserare 40.000 Liter / 40 Watt (230V; 50/60Hz) artikelnummer: B200002

Blue Lagoon UV-C Joniserare 75.000 Liter / 75 Watt (230V; 50/60Hz) artikelnummer: B200003

Tekniska specifikationer	40.000 L	75.000 L
• Lampa TUV UV-C	40 Watt	75 Watt
• UV-C uteffekt (W)	15 Watt	25 Watt
• Simbassänginnehåll (L.)	40.000 L	70.000 L
• Maximal genomströmning	20.000 l/t	25.000 l/t
• Maximalt koppar	0,7 ppm	0,7 ppm
• Maximalt tryck	2 bar	2 bar
• Maximal temperatur	50°C	50°C
• Minimal temperatur	0°C	0°C
• Mått anslutning	Ø 63 mm	Ø 63 mm
• Apparats längd	100 cm	100 cm

9 STEG FÖR EN 'PERFEKT' BASSÄNG VID ANVÄNDNING AV EN JONISERARE

1. Chock

Om din bassäng inte är absolut ny får du filtrera vattnet och ge det en impuls på 5 ppm klor under 3 till 5 efterföljande dagar.

2. Balans

Din bassäng bör ha en pH-balans på mellan 7.0 och 7.6 som du testar varje vecka.

3. Totalt upplösta ämnen

TDS-halten ska ligga mellan 750 och 1500 ppm.

4. Cyansyra

Den bästa tänkbara halten ligger mellan 0 och 30 ppm.

5. Total alkalinitet

De bästa tänkbara värdena ligger mellan 80 och 120 ppm. (Normalt sett uppnås de när pH är i balans.)

6. Kalciumhårdhet/alkanitet

De bästa tänkbara värdena ligger mellan 225 och 375 ppm.

7. Installation av din Joniserare

Installera din Joniserare såsom beskrivits i bruksanvisningen.

8. Kopparnivå (0,4 – 0,7 ppm)

Låt din Joniserare gå samtidigt med din pump tills du nått rekommenderad kopparnivå (varar ungefär två veckor). Ställ in din Joniserare så att den bästa tänkbara kopparnivån ligger mellan 0,4 och 0,7 ppm. Du kan testa det med de medlevererade testremsorna.

9. Njut!

Nu när din kopparkhalt har hållit sin nivå kan du njuta på ett härligt sätt av din bassäng därför att du vet att ditt vatten har den bästa kvaliteten och är skyddat mot bakterier, virus, mögel och alla slags alger.

Garantivillkor

Med den här produkten har du gjort ett förträffligt val. Apparaten är omsorgsfullt sammansatt med iakttagande av alla tillämpliga säkerhetsföreskrifter. Med tanke på kvalitén har leverantören enbart använt högverdiga material. Leverantören ger garanti för material- och fabrikationsfel på apparaten under 2 år från datum för köp. Lampa och kvartsglas faller utan för garantin. Garantianspråken kan bara behandlas om produkten skickas tillbaka fraktfritt med bifogat giltigt kvitto. Garantianspråk som orsakats av installations- eller användningsfel, okunnig användning, ej efterlevnad av säkerhetsföreskrifterna, bristfälligt underhåll, skador liksom genomförande av tekniska ändringar kan inte göra anspråk på garantin. Leverantören förbehåller sig rätten att efter eget val reparera eller helt ersätta apparaten. Följdsador är uteslutna från garantin. Reklamationer som beror på transportskador kan endast accepteras om skadan vid leverans fastställs eller bekräftats av speditören eller postverket. Endast då är det möjligt att ställa anspråk på speditör eller postverk.

Blue Lagoon UV-C Copper Ionizer 40.000 - 75.000 NO

Vennligst les nøye gjennom disse instruksjonene før utstyret installeres.

Bruk

Blue Lagoon UV-C Copper Ionizer vil rense vannet i svømmebassenget ditt gjennom kobber elektrolyse kombinert med UV-C-stråling. Blue Lagoon UV-C Copper Ionizer er plassert i rørsystemet etter svømmebassengfilteret. Svømmebassengvannet strømmer så gjennom huset til Blue Lagoon UV-C Copper Ionizer. En UV-C-pære og en kobberenhet, eller ionisator, er plassert inne i huset, og kobberenhetsen slipper en minimal mengde kobber ut i vannet som strømmer gjennom huset. Disse kobberionene (Cu^{2+}) i vannet har en positiv lading og ødelegger celleveggene til bakterier, virus og andre primitive organismer. Når celleveggen er ødelagt vil ikke organismene være i stand til å ta opp næring og vil dermed heller ikke kunne formere seg. Prosessen med å tilføre en positiv ladning til kobber kalles kobber elektrolyse. Kobberet i vannet virker som et desinfiserende buffer i svømmebassenget ditt, og hva gjelder resultater kan det sammenlignes med virkningen av klor. UV-C-pæren som er plassert i Blue Lagoon UV-C Copper Ionizer skaper UV-C-lys. Dette UV-C-lyset utvikler UV-C-stråling med en bølglengde på 253,7 nm, som sørger for at bakterier, virus og andre primitive organismer ødelegges. Som følge av lengden på utstyret utsettes vannet for denne høye graden av stråling over et lengre tidsrom, hvilket ødelegger DNAet til bakterier, virus og mikroorganismer. Interiøret på utstyret er laget av 316L rustfritt stål, som gir ytterligere refleks av UV-C-strålingen og øker effektiviteten med opptil 35%. Forskning har vist at UV-C-lys desinfiserer svømmebassengvann med opptil 80%, mens kobber desinfiserer opptil 20% av svømmebassengvannet. Forutsatt at disse verdiene er 100% korrekt betyr kombinasjonen av UV-C med kobber elektrolyse at det er mulig å svømme trygt uten bruk av noen form for kjemikalier. Takket være Blue Lagoon UV-C Copper Ionizer vil vannet i svømmebassenget ditt bli desinfisert effektivt og trygt, og kvaliteten på vannet vil forbli fremragende.

Bruk

Etter at Blue Lagoon UV-C Copper Ionizer er installert i rørsystemet vil UV-C-pæren øyeblikkelig slås på etter at støpslet er satt i den elektriske kontakten. Før ioniseren slås på må vannet testes for å fastslå kobberverdien i svømmebassenget. Den ideelle kobberverdien er mellom 0,4 og 0,7 ppm. Teststripen vil vise om kobberverdien er for høy eller for lav.

Ionisaren slås på ved å trykke inn "+"-knappen på skjermen (**V**) (se tegning 2 og 9). Status for kobberutslippet vil vises i rødt på skjermen. Dette kan være et tall mellom "0" og "99". Hvis du stiller ioniseren til "00", vil den bli slått av og ikke lenger slippe ut kobber. Den opprinnelige startposisjonen for skjermen avhenger av svømmebassengets størrelse og resultatet fra teststripen da du gjorde din første vanntest. Dersom kobberinnholdet er for lavt etter den første testen kan du øke den viste mengden til, for eksempel, 30 eller høyere med "+"-knappen. Test vannet igjen etter en uke, og, hvis teststripen fortsatt viser at kobberverdien er lav, øk tallet på skjermen ytterligere. Hvis teststripen viser en korrekt verdi mellom 0,4 og 0,7 ppm, er det ikke nødvendig å endre noe på skjermen. Hvis kobberverdien er for høy, sett skjermverdien til "00" med "-"-knappen for å stoppe utslipp av kobber i vannet. Hvis du tester vannet igjen etter en uke til vil teststripen vise hvorvidt du skal slå på ioniseren igjen eller ikke. Du vil til slutt etablere det korrekte kobbernivået i svømmebassenget ditt ved jevnlig å teste og øke eller redusere den viste verdien.

Ioniseren vil automatisk slå seg av hver annen uke, og tallet på skjermen vil ikke lenger vises. UV-C-pæren vil fortsette å virke så lenge utstyret er koblet til strøm. Når ioniseren slår seg av må du teste vannet med den medfølgende teststripen. Utstyret kan slås på igjen med "+"-knappen og posisjonen skjermen viste før utstyret automatisk ble slått av vil igjen vises på skjermen. Når du har slått på ioniseren vil du ikke selv kunne slå av skjermen igjen, den vil automatisk slå seg av etter 336 timer. Hvis du har gjort en feil eller ikke ønsker å bruke ioniseren, sett simpelthen skjermposisjonen til "00".

Under den første bruksmånedet må vannet i svømmebassenget testes hver uke inntil du finner det korrekte nivået. Etter en måned kan testingen reduseres til en gang hver annen uke. PH-verdien kan også testes med teststripen. En PH-verdi mellom 7,0 – 7,6 er den optimale verdien for kobber elektrolyse.

Klor kan fortsatt brukes om ønskelig, men naturligvis med meget lav dosering siden Blue Lagoon UV-C Copper Ionizer allerede desinfiserer vannet i bassenget. Det er viktig alltid å bruke organisk klor (flytende, granulat, pinner eller pastiller) i kombinasjon med en ioniser. Andre typer klor vil ikke virke sammen med kobber elektrolyse.

OBS: Plasser aldri klorpastiller eller granulat på bunnen av bassenget. På grunn av den høye konsentrasjonen av klor vil kobberionene skilles ut og føre til misfarging.

Utskifting av pære og kobberenhet

UV-C-pæren og kobberenhetsen kan brukes over 2 svømmesonger dersom den brukes 12 timer pr. dag i 6 måneder pr år. UV-C-pæren og kobberenhetsen må skiftes ut hvis tallet "88" begynner å blinke på Blue Lagoon UV-C Copper Ionizer-skjermen. Et erstatningssett kan bestilles fra forretningen der du opprinnelig kjøpte originalutstyret. Hver utstyrstype har sitt erstatningssett med hensyn til type UV-C-pære. Hvis du erstatter UV-C-lampen og kobberenhetsen kan du nullstille skjermen ved å trykke inn "+"- og "-"-knappen samtidig i 3 sekunder.

Erstatningssett: Kobber, Blue Lagoon 40 Watt pære og teststriper, artikkelnummer: B200012

Erstatningssett: Kobber, Blue Lagoon 75 Watt pære og teststriper, artikkelnummer: B200013

Fordeler med UV-C-behandling:

- Sikrer friskt, rent og klart vann
- Desinfiserer vann effektivt og trygt
- Beskytter svømmebassenget mot mikroorganismer
- Holder formasjonen av mugg, bakterier og alger under kontroll
- Kan redusere bruken av klor og andre kjemikalier med 100%
- Bundet klor brytes ned av UV-C-lys
- Mer miljøvennlig enn tradisjonelle metoder

Karakteristikk av Blue Lagoon UV-C Copper Ionizer :

- Muliggjør svømming uten bruk av klor
- Opp til 80% desinfisering av UV-C
- Opp til 20% desinfisering av kobberelektrolyse
- 316L rustfritt stålhus avgir 35% mer UV-C som et resultat av refleksjer
- UV-C-pære og kobberenheter er tilstrekkelig til 2 svømmesonger
- Enkel installasjon og vedlikehold
- 2-års garanti for fabrikkasjonsfeil
- Blue Lagoon UV-C Copper Ionizer er jordet

Sikkerhet

Denne apparatet avgir skadelig stråling. Direkte kontakt kan skade øyne og hud. Kontroller at UV-C-pæren virker kun gjennom de gjennomsiktige komponentene på enheten.

- Utilsiktet bruk av utstyret eller skade på huset kan føre til at det slipper ut farlige UV-C-stråling. Selv små doser av UV-C-stråling kan føre til skader på øyne og hud.
- Sett alltid utstyrets støpsel i en jordet elektrisk kontakt med beskyttelsesdeksel.
- Følg alltid det lokale elektrisitetensverkets regler for enhver form for permanent tilkobling av elektrisk utstyr til strømmettet. Hvis det er noen tvil om tilkoblingen, snakk med en anerkjent elektriker eller elektrisitetensverket. Benytt alltid en elektrisk ledning med jording og sikring (maks 30 mA).
- Trekk alltid støpslet ut av den elektriske kontakten før det foretas vedlikeholds- eller servicearbeider på apparatet. Sett aldri inn eller trekk ut støpslet når du står i vann eller når hendene dine er fuktige.
- Dette utstyret er ikke ment brukt av personer (inkludert barn) med reduserte fysiske, sensoriske eller mentale evner, eller med mangel på erfaring og know-how, unntatt når de overvåkes eller har fått instruksjon i bruken av utstyret av en person som er ansvarlig for deres sikkerhet.
- Hold barn vekke fra apparatet og fra kabelen.
- Utstyrets kabel kan ikke skiftes. Hele apparatets elektriske anlegg må skiftes dersom det oppstår feil eller skade på den elektriske kabelen. Fjern aldri støpslet, men la den elektriske enheten alltid være intakt som en enhet. En elektrisk enhet der støpslet er fjernet vil ikke være dekket av fabrikkgarantien.
- Det er viktig at vannet testes! Hvis kobberinnholdet er for høyt kan det føre til misfarging av svømmebassenget, badedrakter, negler og blondt hår. Hvis kobberinnholdet er for lavt vil ikke vannet bli tilfredsstillende desinfisert. Vennligst hold deg innenfor anbefalt nivå på 0,4 til 0,7 ppm. Lag et notat i telefonen eller dagboken din slik at du er sikker på å huske.
- Bruk ALDRI Blue Lagoon UV-C Copper Ionizer i kombinasjon med et saltholdig elektrolysesystem eller i et saltvannsbad. Kombinasjonen av kobber og salt kan resultere i en meget giftig kjemisk reaksjon
- Senk aldri dette apparatet ned i vann.
- Installer aldri apparatet på et sted som vil være utsatt for direkte solskinn.
- Installer utstyret bare på et tørt og godt ventilerte sted.
- Når apparatet slås av vil lampen fortsatt være varm i ca. 10 minutter.
- Ikke bruk utstyret dersom noen av komponentene er skadet (dette gjelder spesielt kvartsglasset).
- Fjern utstyret dersom det er noen fare for nattefrost.
- Dette produktet kan bare brukes i henhold til de retningslinjer som er beskrevet i denne manualen
- Hvis utstyret brukes i kombinasjon med kjemikalier, les alltid gjennom bruksanvisningen for disse produktene først. Legg spesielt vekt på sikkerhetsforskriftene.

Installering av jordledning (Tegning 1)

- 1 Trekk kabelen (B) gjennom strekkavlastningen (F) før monteringen av den syntetiske strekkavlastningen (F) på jordingsbolten (A). Plasser strekkavlastningen (F) ca. 10 cm fra øyet (H) til jordingskabelen (B).
- 2 Plasser øyet (H) til kabelen (B) på jordingsbolten (A) som er festet på huset.
- 3 Plasser så en tannet låseskive (C), en sekskantmutter (D) og nok en tannet låseskive (E) på toppen av øyet (H).
- 4 Monter strekkavlastningen (F) på toppen slik at det dannes en sløyfe på Ø 5 cm.
- 5 Plassere til slutt låsemutteren (G) på jordingsbolten (A).
- 6 Så snart de forskjellige mutterne er plassert på jordingskruen (A) i korrekt rekkefølge kan de strammes med en skiftenøkkel eller fastnøkkel nr. 8. Ikke stram til for hardt; det vil kunne føre til at strekkavlastningen sprekker. (Den transparente mutteren som var skrudd på jordingsbolten (A) ved levering har ikke lenger noen nytte, og kan avhendes).

Installering av jordledning (Tegning 2)

Senk aldri denne innretningen ned i vann. Installeringen må alltid finne sted utenfor svømmebassenget. Påse at det alltid strømmer vann gjennom enheten når pæren er på. Blue Lagoon UV-C Copper Ionizer må aldri installeres bak PH-regulatoren i svømmebassenginstallasjonen. Det ideelle stedet er bak pumpen og filteret.

1. Bestem hvor apparatet skal installeres.
- 2 Sett enheten inn i kretsen ved å bruke de tredelte koblingene (I).
- 3 Monter de medfølgende rørklipsene (O) i faste posisjoner, trykk enheten inn i rørklipsene og stram til 3-veisforbindelsen (I). Påse at det er tilfredsstillende plass tilgjengelig (+/- 1 meter) for å kunne fjerne pæren (K) / kvartsglasset (M) eller utføre annet vedlikehold.
- 4 Skyv forsiktig Blue Lagoon UV-C-pæren inn i kvartsglasset (M). Sett pæren (K) inn i pæreholderen (L) og stram til mutteren (N) på enheten for hånd.
- 5 Start pumpen og kontroller systemet med hensyn til gjennomstrømning og lekkasje. Vær oppmerksom på korrekt plassering av pakningsringene (P), både med hensyn til tilkoblingene og kvartsglasset (se tegning 2).
- 6 Sett UV-C-utstyrets støpsel inn i en veggkontakt som er utstyrt med sikkerhetsjording og en kretsbytter for jordingslekkasjestrøm (ELCB). Kontroller at pæren er på ved å se gjennom den transparente seksjonen av utstyret.
- 7 Utstyret vil slås helt av dersom støpslet trekkes ut av kontakten.
- 8 Påse at det er tilfredsstillende plass tilgjengelig (+/- 1 meter) for å kunne fjerne pæren (K) / kvartsglasset (M) eller utføre annet vedlikehold. Det må være minimum 30 cm plass på undersiden for å kunne skifte kobberenheten (U).

Demontering/Vedlikehold / Erstatning av kobber og pære

Slå alltid av strømmen ved vedlikeholdsarbeider og demontering av utstyret. Utstyret må rengjøres hver 3. måned. Hvis det er økt algevekst eller andre former for avleiringer må kvartsglassylindere (M) der pæren er plassert rengjøres. Det er mulig at kobberenheten tømmes raskere på grunn av ytre påvirkninger. Du bør derfor også kontrollere kobberenheten når utstyret rengjøres. Ved normal bruk må den spesielle Blue Lagoon UV-C-pæren og kobberenheten skiftes etter to svømmesesonger. Innsiden av det rustfrie stålhuset kan rengjøres med en myk børste.

- 1 Skru løs den tredelte koblingen (I) og tøm anlegget for vann.
- 2 Skru løs skruelokket (N) og trekk det litt opp sammen med pæren. Fjern pæren forsiktig fra pæreholderen (K). Når pæren er skrudd løs, trekk den forsiktig ut av kvartsglasset. Siden disse delene er meget omtålelige er betydelig forsiktighet nødvendig.
- 3 Fjern forsiktig kvartsglasset (M) ved å bruke en stor, flat skrutrekker (se tegning 3). Bruk aldri makt!
- 4 Rengjør kvartsglasset med et passende rengjøringsmiddel. Vi anbefaler et rengjøringsmiddel basert på sitrussyre. Bruk alltid en myk klut til å rengjøre glasset for å unngå riper.
- 5 Sørg for korrekt posisjonering av de 3 pakningsringene (P) når kvartsglasset i huset skiftes, og skyv enden på kvartsglasset forsiktig inn i innløpet (Q) (se tegning 4). Bruk aldri makt!
- 6 For å erstatte kobberenheten (U) (se tegning 3), skru løs beskyttelsesdekslet (R) til konnektoren (S) med en skrutrekker og fjern ledningene fra konnektoren. Skru så løs skruelokket (T) på bunnen av utstyret. Fjern forsiktig kvartsglasset ved å bruke en stor, flat skrutrekker (se tegning 3). Bruk aldri makt! Plasser en ny kobberenhete inn i anlegget og sett tilbake ledningene via konnektoren (se tegning 5). Påse at fargene på ledningene stemmer overens: blå med blå, brun med brun. Stram til slutt skruene på kontakten. Sett tilbake det beskyttende dekslet. Påse at de sorte hylsene på de to ledningene er skjøvet langt nok inn i konnektoren, og skru lokket godt på plass.
- 7 Vennligst les grundig kapitlet "Installering og demontering" for du demonterer og monterer huset eller den elektriske enheten. Den elektriske enheten på utstyret befinner seg i skjermboksen (W) på utstyret. Skjermboksen er limt og kan ikke åpnes. Hvis den elektriske enheten byttes, må hele boksen skrues av og ledningene frakobles utstyret (se tegning 1 og 5). Skru av skruelokket (N) og fjern forsiktig pæreholderen fra pæren. Enhver løs del, d.v.s. jordingen etc., må tas omtenksomt vare på siden de ikke følger med et nytt hus eller elektrisk enhet. Dersom du er i tvil med hensyn til kobling, konsulter en kvalifisert installatør.

Blue Lagoon UV-C Copper Ionizer er tilgjengelig i følgende typer:

Blue Lagoon UV-C Copper Ionizer 40.000 liter / 40 Watt (230V; 50/60Hz) artikkel nummer B200002

Blue Lagoon UV-C Copper Ionizer 75.000 liter / 75 Watt (230V; 50/60Hz) artikkel nummer B200003

Tekniske spesifikasjoner	40,000 l	75,000 l
• pære TUV UV-C	40 Watt	75 Watt
• UV-C output (W)	15 Watt	25 Watt
• Innholdet i svømmebassenget (l)	40.000 l	70.000 l
• Maks. gjennomstrømning	20.000 l/t	25.000 l/t
• Maksimum kobber	0,7 ppm	0,7 ppm
• Maksimum trykk	2 bar	2 bar
• Maksimum temperatur	50°C	50°C
• Minimum temperatur	0°C	0°C
• Tilkoblingsdimensjon	Ø 63 mm	Ø 63 mm
• Lengde på anlegget	100 cm	100 cm

9 TRINN FOR ET "PERFEKT" BASSENG SOM BRUKER EN IONISER.

1. Sjekk:

Hvis bassenget ditt ikke er helt nytt, filtrer og sjekk vannet til 5 ppm klor 3-5 påfølgende dager.

2. Balanse:

Ditt basseng bør ha en pH-balanse på 7,0- 7,6 pH. Og testes ukentlig.

3. Total oppløsning av faststoffer (TDS):

TDS bør være på 750-1500 ppm.

4. Cyanurisk syre (stabilisator):

Idéelt område bør være 0 - 30 ppm.

5. Total alkalinitet:

Idéelt område er 80-120 ppm (tar vanligvis vare på seg selv dersom pH er i balanse)

6. Kalsiumhardhet:

Idéelt område er 225 - 375 ppm.

7. Installer din ioniser:

Installer ioniseren i henhold til anvisningene fra ioniserprodusenten.

8. Kobberion-nivåer: (idéelt område 0,4 – 0,7 ppm)

Kjør Ioniseren sammen med pumpe-systemet inntil anlegget har nådd anbefalt nivå av kobberioner (tar ca. 2 uker). Juster bassengpumpetidene og ytelsesnivåene slik at ioniseringen fortsetter å holde 0,4 – 0,7 ppm kobber. (et kobbertestsett følger vanligvis med ioniseren.)

9. Nytt!!

Nå som du har ionnivået justert i henhold til pumpetidene vil du kunne lene deg tilbake, slappe av og nyte ditt mineralinfuserte basseng, og vite at vannet har et FORMIDABELT førstelinjeforsvar mot bakterier, virus, sopp og ALLE FORMER FOR ALGER.

Garantibetingelser

Du har gjort et klokt valg ved å velge dette produktet. Utstyret er nøye satt sammen og i henhold til alle gjeldende sikkerhetsforskrifter. Av hensyn til kvaliteten har leverandøren bare valgt førsteklases materialer. Leverandøren gir en garanti på utstyret som dekker material- og produksjonsfeil i 2 år fra kjøpsdatoen. Pæren og kvartsglasset er ikke inkludert i denne garantien. Krav i henhold til garantien kan bare behandles dersom produktet returneres med porto betalt sammen med en gyldig kjøpskvittering. Det kan ikke reises krav i henhold til garantien dersom det har vært feil ved installasjon eller bruk, uriktig bruk, sikkerhetsreglene ikke har vært fulgt, mangelfullt vedlikehold, skade på eller uautoriserte endringer av utstyret. Ved fremsettelse av krav i henhold til garantien reserverer leverandøren seg retten til enten å reparere utstyret eller erstatte det i sin helhet, avhengig av hva leverandøren finner mest hensiktsmessig. Følgeskader er unntatt fra garantien. Klage med hensyn til transportskader vil bare bli vurdert dersom skaden er bekreftet eller erkjennes av transportør eller postal myndighet ved utlevering. Krav kan bare fremsettes mot transportør eller postal myndighet dersom en slik erkjennelse eller bekreftelse foreligger..

Lees hierdie gebruiksaanwysing aandagtig alvorens hierdie toestel te installeer.

Werking

Die Blue Lagoon UV-C Ioniseerder reinig u swembadwater deur middel van koperelektrolise in kombinasie met UV-C straling. Die Blue Lagoon UV-C Ioniseerder word ná die swembadfilter op die leidingsstelsel geplaas. Die swembadwater stroom deur die omhulsel van die Blue Lagoon UV-C Ioniseerder. Binne in die omhulsel bevind hom 'n UV-C lamp en 'n kopereenheid, Ioniseerder genaamd. Aan die water wat deur die omhulsel stroom, skei die kopereenheid 'n bietjie koper af. Hierdie koperione (Cu^{2+}) in die water is positief gelaai en tas die selwand van bakterieë, virusse en andere primitiewe organismes aan. Deurdat die selwand aangetas is kan die organismes geen voedingsstowwe meer opneem nie en daardeur kan hulle nie vermenigvuldig nie. Hierdie proses van positiewe laai van koper word koperelektrolise genoem. Die koper in die water werk as 'n disinfekteerbuffer in jou swembad en die resultaat is vergelykbaar met die effek van chloor. Die UV-C lamp wat hom in die Blue Lagoon UV-C Ioniseerder bevind, genereer UV-C lig. Hierdie UV-C lig het 'n UV-C straling van 253,7 nm golflengte wat daarvoor sorg dat bakterieë, virusse en andere primitiewe organismes gedood word. Weens die lengte van die toestel word die water ekstra lank blootgestel aan hierdie hoë dosis straling. Die straling vernietig die DNA van bakterieë, virusse en mikro-organismes. Die 316L vlekvryestaal binnekant sorg vir ekstra refleksie van die UV-C straling waardeur die doeltreffendheid met tot 35% vergroot word.

Dit het uit 'n ondersoek geblyk dat UV-C lig tot 80% van die swembadwater disinfekteer. Koper disinfekteer tot 20% van die swembadwater. Mits alle waardes 100% korrek is, maak UV-C in kombinasie met koperelektrolise dit moontlik om te swem sonder chemikalieë. Danksy die Blue Lagoon UV-C Ioniseerder sal u water op 'n doeltreffende en veilige wyse gedisinfecteer word en behou u 'n uitstekende waterkwaliteit.

Gebruik

Ná installering van die Blue Lagoon UV-C Ioniseerder op u leidingsstelsel, skakel die UV-C lamp direk aan wanneer die prop in die elektriese sok gedruk word. Voordat u die Ioniseerder aanskakel, moet u eers die water toets om vas te stel wat die huidige koperwaarde in u swembad is. Die ideale koperbalans lê tussen 0,4 en 0,7 dpm. Op die toetsstrokie kan u aflees of die kopergehalte te hoog of te laag is.

U skakel die Ioniseerder aan deur op die "+" knop van die vertoonskerm (V) (**sien tekening 2 & 9**) te druk. Op die beeldskerm verskyn in rooi die hoeveelheid van die koper wat afgeskei word. Dit kan 'n getal van "0" tot "99" wees. Wanneer u die Ioniseerder op "00" set, skakel die Ioniseerder uit en skei dit geen koper meer af nie. Die eerste posisie van die vertoonskerm om mee te begin is afhanklik van die grootte van die swembad en die resultaat van die toetsstrokie waarmee u die eerste watertoets uitgevoer het. Indien na die eerste toets die kopergehalte te laag is verhoog u met die "+" knop die vertoonskerm op byvoorbeeld 30 of hoër. U toets na 'n week opnuut die water en indien die toetsstrokie nog steeds 'n lae koperwaarde aandui, verhoog u die posisie van die vertoonskerm. Indien die toetsstrokie die korrekte waarde van 0,4 tot 0,7 dpm vertoon, hoef u niks aan die vertoonskerm te verander nie. Wanneer die koperwaarde te hoog is verlaag u die vertoonskerm na "00" met die "-" knop sodat geen koper meer aan die water vrygestel word nie. Wanneer u na 'n week opnuut die water toets, sien u aan die resultaat van die toetsstrokie of u die Ioniseerder weer kan aanskakel. Deur steeds te toets en die vertoonskerm hoër of laer te verstel vind u uiteindelik die juiste koperbalans in u swembad.

Elke 336 uur skakel die Ioniseerder outomaties uit. U sien op die toestel dat die syfers op die vertoonskerm nie meer brand nie. Die UV-C lamp bly gewoon brand solank dit aan die kragnet gekoppel is. Wanneer die Ioniseerder uitgeskakel is, is u altyd verplig om die water te toets met die toetsstrookies wat saam met die toestel voorsien word. U skakel die toestel weer aan met die "+" knop. Die posisie waarop die vertoonskerm ingestel was voor dit outomaties uitgeskakel het, verskyn dan weer op die vertoonskerm. Ná die aanskakel van die Ioniseerder kan u die vertoonskerm nie meer self uitskakel nie. Die vertoonskerm skakel na 336 uur weer outomaties uit. Indien u 'n vergissing begaan het of die Ioniseerder nie wil aanskakel nie, kan u die vertoonskermposisie gewoon op "00" set.

In die eerste gebruiksaanwysing moet u die swembadwater elke week toets totdat u die gewenste balans bereik het. Na 'n maand kan u die toets verminder na 1 keer per 2 weke. Die PH waarde kan u ook met die toetsstrookies toets. 'n PH waarde tussen 7,0 – 7,6 is die mees ideale waarde met koperelektrolise.

Indien u dit wens mag u chloor gebruik, uiteraard kan dit baie laag gedoseer word omdat die Blue Lagoon UV-C Ioniseerder sy disinfekteerende werk reeds doen. Dit is belangrik dat u altyd anorganiese chloor (vloei-bare, korrels, stokkies of pille) gebruik in kombinasie met 'n Ioniseerder. Ander chloorsoorte werk nie in kombinasie met koperelektrolise nie.

Let op!, moenie of chloorkorrels of -tablette op die bodem van die swembad lê nie. Koperione kan deur die sterk chloorkonsentrasie neerslaan en verkleuring veroorsaak.

Vervanging van lamp en kopereenheid

Die UV-C lamp en die kopereenheid hou 2 swemseisoene lank by 'n gebruik van 12 uur per dag 6 maande per jaar. Wanneer die nommer "88" op die vertoonskerm van die Blue Lagoon UV-C Ioniseerder flikker behoort u die UV-C lamp en die kopereenheid te vervang. 'n Vervangstel is beskikbaar by die verskaffer waar u die toestel gekoop het. Elke tipe toestel het sy eie vervangstel i.v.m. die tipe UV-C lamp. Wanneer u die UV-C lamp en die kopereenheid vervang het, kan u die vertoonskerm herset deur die "+" en die "-" knop tegelykertyd gedurende 3 sekondes ingedruk te hou.

Vervangstel: Koper, Blue Lagoon lamp 40 Watt & toetsstrookies artikelnummer: B200012

Vervangstel: Koper, Blue Lagoon lamp 75 Watt & toetsstrookies artikelnummer: B200013

Voordele van UV-C behandeling:

- Sorg vir vars, skoon en helder water
- Disinfekteer water op 'n doeltreffende en veilige manier
- Beskerm u swembad teen siektekieme
- Hou die vorming van skimmel, bakterieë en alge onder beheer
- Kan die gebruik van chloor en andere chemikalieë met 100% verminder
- UV-C lig breek geboonde chloor af
- Beter vir die omgewing in vergelyking met tradisionele metodes

Eienskappe van Blue Lagoon UV-C Ioniseerder:

- Swem sonder chloor is moontlik
- Tot 80% disinfeksie deur UV-C
- Tot 20% disinfeksie deur koperelektrolise
- 316L vlekvrystaal binnewerk tot 35% meer UV-C opbrengs deur refleksie
- UV-C lamp en kopereenheid hou 2 swemseisoene lank
- Eenvoudige installering en instandhouding
- 2 jaar waarborg op fabrieksfoute
- Blue Lagoon UV-C Ioniseerder is geaard

Veiligheid

Hierdie toestel produseer skadelike straling. Direkte kontak kan gevaar oplewer vir oë en huid. Kontroleer die werking van die UV-Clamp uitsluitend via die transparante onderdele van die eenheid.

- Onbedoelde gebruik van die toestel of beskadiging van die omhulsel kan lei tot die ontsnapping van gevaarlike UV-C straling. UV-C straling kan, selfs in klein dosisse, skade veroorsaak aan die oë en die huid.
- Druk die kragprop van die toestel altyd in 'n geaarde krag sok met sluitklep.
- Vir 'n permanente aansluiting op die kragnet moet voldoen word aan die voorskrifte van die energiebedryf. In geval van enige twyfel oor die aansluiting, raadpleeg 'n erkende installeerder of die energiebedryf. Werk altyd met 'n aardlekskakelaar (maks. 30 mA).
- Trek altyd die kragprop uit die krag sok voordat u instandhoudings- of herstelwerk aan die toestel uitvoer. Moet nooit die kragprop in/uit die krag sok druk/trek as u in 'n plas water staan of nat hande het nie.
- Hierdie toestel is nie bedoel vir gebruik deur persone (kinders inkluis) met verminderde liggaamlike, sintuiglike of geestelike vermoëns, of 'n gebrek aan ervaring en kennis, tensy hulle onder toesig staan of onderrig word oor die gebruik van die toestel deur 'n persoon wat vir hulle veiligheid verantwoordelik is.
- Hou kinders weg van hierdie toestel en die snoer.
- Die kabel van hierdie toestel is nie vervangbaar nie. In geval van beskadiging van die kragkabel moet die komplette elektriese gedeelte van die toestel vervang word. Verwyder nooit die kragprop nie, maar laat die elektriese gedeelte intak. 'n Elektriese gedeelte met afgeknipte kragprop val nie onder die waarborg nie.
- Die toets van die water is van groot belang! 'n Te hoë kopergehalte kan verkleuring veroorsaak aan u swembad, swemklere, naels en blonde hare. 'n Te lae kopergehalte kan die water nie voldoende disinfekteer nie. Handhaaf die voorgeskrewe balans van 0,4 tot 0,7 dpm. Programmeer 'n herinnering in u telefoon om te voorkom dat u dit vergeet.
- Moet NOOIT die Blue Lagoon UV-C Ioniseerder tesame met 'n southoudende elektrolisestelsel of in 'n soutwaterbad gebruik nie. Die kombinasie van koper en sout kan 'n hoogs giftige chemiese reaksie veroorsaak.
- Moet nooit die toestel onder die water dompel nie.
- Installeer die toestel nooit op 'n plek in die volle son nie.
- Installeer die toestel altyd in 'n droë en goed geventileerde ruimte.
- Na die afskakel van die toestel sal die lamp nog ongeveer 10 minute lank warm bly.
- Moenie die toestel gebruik wanneer enige onderdele (in die besonder die kwartsglas) beskadig is nie.
- Verwyder die toestel by bevriesingsgevaar tydens die wintermaande.
- Gebruik hierdie produk uitsluitend volgens die riglyne soos beskryf in hierdie handleiding.
- Lees by die gebruik in kombinasie met chemikalieë, altyd die gebruiksaanwysing van hierdie produk. Gee spesiale aandag aan die veiligheidsvoorskrifte.

Installering van aardingskabel (Tekening 1)

- 1 Voordat u die kunstof spanningsontlasklamp (F) op die aardingsbout (A) monteer, moet u eers die kabel (B) deur die spanningsontlasklamp (F) trek. Plaas die spanningsontlasklamp (F) op ongeveer 10 cm afstand van die oog (H) van die aardingskabel (B).
- 2 Plaas die oog (H) van die kabel (B) oor die aardingsbout (A) wat aan die omhulsel vasgemaak is.
- 3 Plaas vervolgens 'n getande waster (C), seskantmoer (D) en weer 'n getande waster (E) op die oog (H).
- 4 Maak die spanningsontlasklamp (F) bo-op vas sodat 'n lus met 'n deursnee van 5 cm gevorm word.
- 5 Ten slotte, plaas die sluitmoer (G) op die aardingsbout (A).
- 6 Indien die verskeie moere in die korrekte volgorde op die aardingsbout (A) geplaas is, kan dit met 'n nommer 8 oopbeksleutel of ringsleutel vasgeskroef word. Maak seker dat dit nie te styf vasgeskroef word nie, aangesien dit die spanningsontlastingsklamp kan laat breek. (Die transparante moer wat by aflewering op die aardingsbout (A) geskroef is, word nie langer benodig nie en kan weggegooi word).

Installering van toestel (Tekening 2)

Hierdie toestel moet nooit onder die water gedompel word nie. Installeer steeds buite die swembad. Maak seker dat daar altyd water deur die eenheid stroom as die lamp brand. Die Blue Lagoon UV-C Ioniseerder mag nooit ná die pH reëljaar op u swembadinstallasie geplaas word nie. Die ideale plek is naby die pomp en die filter.

- 1 Bepaal die gewenste posisie om die toestel te installeer.
- 2 Monteer die eenheid d.m.v. die driedelige koppelings (I) in die kring.
- 3 Monteer die pypklampe (O) wat voorsien word op 'n vaste plek, bevestig die eenheid in die pypklampe en draai die driedelige koppeling (I) vas. Maak seker daar bly voldoende ruimte (+/- 1 meter) oor om die lamp (K)/kwartsglas (M) te verwyder vir vervanging en/of instandhouding.
- 4 Skuif die Blue Lagoon UV-C lamp versigtig in die kwartsglas (M). Bevestig die lamp (K) in die lamphouer (L) en draai die moer (N) met die hand vas op die eenheid.
- 5 Stel die pomp in werking en kontroleer die sisteem vir vloei en lekkasies. Let daarby op die korrekte posisie van die afdigtingsringe (P) sowel by die aansluitings as by die kwartsglas (sien tekening 2).
- 6 Druk die prop van die UV-C toestel in 'n muursok met randaarde en voorsien van 'n aardlekstroombreker. Kontroleer of die lamp brand deur die transparante dele van die toestel.
- 7 U skakel die toestel volledig af deur die prop uit die elektriese sok te trek.
- 8 Maak seker daar is +/- 1 meter vrye ruimte om die lamp (K) / kwartsglas (M) te verwyder vir vervanging en/of instandhouding. En minimum 30 cm aan die onderkant om die kopereenheid (U) te vervang.

Demontering / Instandhouding / Vervanging van koper & lamp

Ontkoppel steeds die kragtoevoer voor instandhouding/demontering van die toestel. Die toestel moet elke 3 maande gereinig word. Wanneer die algegroei en/of kalklaag toeneem, moet die kwartsglasbuis (M) waarin die lamp sit, skoongemaak word. Die kopereenheid kan deur invloed van buiteaf vinniger opraak. Kontroleer daarom tydens skoonmaak ook die kopereenheid. Die spesiale Blue Lagoon UV-C lamp en die kopereenheid moet by normale gebruik na 2 swemseisoene vervang word. Die vlekvrystaal binnewerk kan u met 'n sagte borsel skoonmaak.

- 1 Draai die driedelige koppelings (I) los en laat die water uit die toestel stroom.
- 2 Skroef die skroefdeksel (N) los en trek dit 'n entjie omhoog met die lamp. Maak die lamp versigtig los van die lamphouer (K). As die lamp los is trek u die lamp versigtig uit die kwartsglas. Versigtigheid word aanbeveel aangesien dit baie kwesbare onderdele betref.
- 3 Verwyder versigtig die kwartsglas (M) d.m.v. 'n groot plat skroewedraaier (sien tekening 3). Moet dit nooit forseer nie!
- 4 Maak die kwartsglas skoon met 'n gesikhte skoonmaakmiddel. Ons beveel 'n skoonmaakmiddel op basis van stiensuur aan. Gebruik altyd 'n sagte lap om die glas skoon te maak om krapmerke te voorkom.
- 5 Wanneer u die kwartsglas terugplaas in die houder, maak seker die afdigtingsringe (P) is in die korrekte posisie en skuif die uiteinde van die kwartsglas versigtig in die ontvangsgids (Q) (sien tekening 4). Moet dit nooit forseer nie!
- 6 Om die kopereenheid (U) (sien tekening 3) te vervang, skroef u met 'n skroewedraaier die beskermkap (R) van die aansluitblok (S) oop en maak u die bedrading los van die aansluitblok. U skroef daarna die skroefdeksel (T) aan die onderkant van die toestel los. Verwyder versigtig die kopereenheid d.m.v. 'n groot plat skroewedraaier (sien tekening 3). Moet dit nooit forseer nie! U plaas daarna 'n nuwe kopereenheid in die toestel en die bedrading verbind u weer via die aansluitblok (sien tekening 5). Maak seker dat die kleure van die kabels met mekaar ooreenkom: blou by blou, bruin by bruin. Draai ten slotte die skroefies van die aansluitblok vas. Die beskermkappie van die aansluitblok plaas u daarna weer terug. Kontroleer of die swart mantel van beide stukke kabel ver genoeg in die verbindingstuk sit en skroef die dekseltjie vas.
- 7 By die demontering van 'n nuwe omhulsel of elektriese gedeelte, lees asb. eers die hoofstuk Installering en Demontering. Die elektriese gedeelte van die toestel bevind hom in die vertoonkas (W) op die toestel. Hierdie vertoonkas is gelym en kan nie opgemaak word nie. By vervanging van die elektriese gedeelte, moet die volledige kas losgeskroef word en die bedrading van die toestel losgemaak word (sien

tekening 1 & 5). Skroef die skroefdeksel (N) los en maak die lamphouer versigtig los van die lamp. Maak seker dat u die diverse los onderdele soos van die aarding ens. goed bewaar. Hulle word nie saam met 'n nuwe omhulsel of elektriese gedeelte verskaf nie. Indien daar enige moontlike twyfel oor die aansluiting bestaan, raadpleeg 'n erkende elektrisiën.

Die Blue Lagoon UV-C Ioniseerder is verkrygbaar in die volgende tipes:

Blue Lagoon UV-C Ioniseerder 40.000 Liter / 40 Watt (230 V; 50/60 Hz) artikelnommer: B200002

Blue Lagoon UV-C Ioniseerder 75.000 Liter / 75 Watt (230 V; 50/60 Hz) artikelnommer: B200003

Tegniese spesifikasies	40.000 L	75.000 L
• Lamp TUV UV-C	40 Watt	75 Watt
• UV-C uitgangsvermoë (W)	15 Watt	25 Watt
• Swembadinhoud (L.)	40.000 L	70.000 L
• Maksimum vloeitempo	20.000 l/h	25.000 l/h
• Maksimum koper	0,7 dpm	0,7 dpm
• Maksimum druk	2 bar	2 bar
• Maksimum temperatuur	50°C	50°C
• Minimum temperatuur	0°C	0°C
• Formaat van aansluiting	Ø 63 mm	Ø 63 mm
• Lengte van toestel	100 cm	100 cm

9 STAPPE VIR 'N PERFEKTE' SWEMBAD BY DIE GEBRUIK VAN 'N IONISEERDER.

1. Skokbehandeling

Wanneer u swembad nie gloednuut is nie, filter u water en gee dit 'n impuls van 5 dpm chloor gedurende 3 tot 5 opeenvolgende dae.

2. Balans

U swembad behoort 'n pH-balans te hê tussen 7.0 en 7.6 (toets weekliks).

3. Totale opgeloste vastestowwe

Die TDS (totale opgeloste vastestowwe) gehalte moet tussen 750 en 1500 dpm wees.

4. Siaansuur

Die ideale gehalte behoort tussen 0 en 30 dpm te wees.

5. Totale alkaniteit

Die ideale waardes lê tussen 80 en 120 dpm. (Word normaal gesproke bereik wanneer die pH in balans is.)

6. Kalsiumhardheid

Die ideale waardes lê tussen 225 en 375 dpm.

7. Installering van u ioniseerder

Installeer u ioniseerder soos beskryf in die gebruiksaanwysing.

8. Kopervlak (ideale vlak 0,4 – 0,7 dpm)

Laat u ioniseerder tegelyk met u pomp loop totdat u die aanbevole kopervlak bereik het (duur +/- 2 weke). Stel u ioniseerder so in dat die ideale kopervlak tussen 0,4 en 0,7 dpm bly. U kan dit toets met die saamgelewerde toetsstrokies.

9. Geniet!

Noudat u kopergehalte op die regte vlak is, kan u heerlik geniet van u swembad, wetende dat u water van die beste kwaliteit is en dat u beskerm word teen bakterieë, virusse, skimmels en alle soorte alge.

Waarborgvoorwaardes

Met hierdie produk het u 'n uitstekende keuse gemaak. Die toestel is sorgvuldig en met inagneming van alle toepaslike veiligheidsvoorskrifte inmekaar gesit. Ter wille van die kwaliteit het die verskaffer uitsluitend gebruik gemaak van materiale van hoë gehalte. Die verskaffer waarborg die toestel vir 2 jaar vanaf die datum van aankoop teen materiaal- en fabrieksfoute. Die lamp en die kwartsglas val buite die waarborg. Waarborgse kan slegs behandel word as die produk gefrankeer teruggestuur word en vergesel is van 'n geldige bewys van aankoop. By installerings- en bedieningsfoute, ondeskundige gebruik, nie-nakoming van veiligheidsvoorskrifte, gebrekkige onderhoud, beskadiging, asook uitvoering van tegniese veranderings, kan geen beroep op die waarborg gedoen word nie. Die verskaffer behou die reg voor om die toestel in geval van waarborgse na eie keuse te herstel of in sy geheel te vervang. Voortvloeiende skade is uitgesluit van die waarborg. Klagtes wat verband hou met vervoerskade kan slegs aanvaar word wanneer die beskadiging by aflewering deur die verskepingagent of poskantoor vasgestel of bevestig is. Slegs dan is dit moontlik om eise in te stel teen die verskepingagent of poskantoor.

Ιονιστής Blue Lagoon UV-C 40.000 - 75.000

Διαβάστε αυτές τις οδηγίες χρήσης με προσοχή πριν από την εγκατάσταση της συσκευής.

EL

Λειτουργία

Ο ιονιστής Blue Lagoon UV-C καθαρίζει το νερό της πισίνας μέσω ηλεκτρόλυσης χαλκού σε συνδυασμό με ακτινοβολία UV-C. Ο ιονιστής Blue Lagoon UV-C υποθετείται στο σύστημα σωλήνωσης μετά το φίλτρο πισίνας. Κατόπιν το νερό της πισίνας διέρχεται από το περίβλημα του ιονιστή Blue Lagoon UV-C. Μια λυχνία UV-C και μια μονάδα χαλκού ή ιονιστή είναι τοποθετημένες μέσα στο περίβλημα και η μονάδα χαλκού εκκενώνει ένα ελάχιστο ποσό χαλκού στο νερό που διέρχεται από το περίβλημα. Αυτά τα ιόντα χαλκού (Cu²⁺) στο νερό έχουν θετικό φορτίο και καταστρέφουν τα κυτταρικά τοιχώματα των βακτηρίων, των ιών και άλλων πρωτόγονων οργανισμών. Επειδή το τοίχωμα υφίσταται ζημιές, αυτοί οι οργανισμοί δεν είναι πλέον σε θέση να λαμβάνουν θρεπτικά συστατικά και συνεπώς δεν μπορούν να πολλαπλασιαστούν. Η διαδικασία εφαρμογής θετικού φορτίου σε χαλκό ονομάζεται ηλεκτρόλυση χαλκού. Ο χαλκός στο νερό επενεργεί ως απολυμαντικός παράγοντας στην πισίνα και, βάσει των αποτελεσμάτων, μπορεί να συγκριθεί με την επίδραση του χλωρίου. Η λυχνία UV-C που είναι τοποθετημένη στον ιονιστή Blue Lagoon UV-C παράγει φως UV-C. Αυτό το φως UV-C παράγει ακτινοβολία UV-C με μήκος κύματος 253.7 nm, διασφαλίζοντας ότι καταστρέφονται τα βακτήρια, οι ιοί και οι άλλοι πρωτόγονοι οργανισμοί. Εξαιτίας του μήκους της συσκευής, το νερό εκτίθεται σε αυτό το υψηλό επίπεδο ακτινοβολίας για μεγάλο χρονικό διάστημα και έτσι καταστρέφεται το DNA των βακτηρίων, των ιών και των μικρο-οργανισμών. Το εσωτερικό της συσκευής με χωρητικότητα 316l είναι κατασκευασμένο από ανοξείδωτο χάλυβα, διασφαλίζοντας μια πρόσθετη ανάκληση της ακτινοβολίας UV-C, αυξάνοντας τον βαθμό απόδοσης έως 35%. Οι έρευνες έχουν δείξει ότι το φως UV-C απολυμαίνει το νερό της πισίνας έως 80%, ενώ ο χαλκός απολυμαίνει έως το 20% του νερού της πισίνας. Θεωρώντας ότι αυτές οι τιμές είναι 100% σωστές, ο συνδυασμός της ακτινοβολίας UV-C με την ηλεκτρόλυση χαλκού κάνει δυνατό το κολύμπι χωρίς η χρήση τυχόν χημικών. Χάρη στον ιονιστή Blue Lagoon UV-C, το νερό της πισίνας απολυμαίνεται αποτελεσματικά και με ασφάλεια και η ποιότητα του νερού παραμένει άριστη.

Χρήση

Αφού εγκατασταθεί ο ιονιστής Blue Lagoon UV-C στο σύστημα σωλήνωσης, η λυχνία UV-C ενεργοποιείται αμέσως μετά τη σύνδεση στην υποδοχή. Πριν από την ενεργοποίηση του ιονιστή, το νερό πρέπει πρώτα να ελέγχεται ώστε να καθορίζεται η τρέχουσα τιμή του χαλκού στην πισίνα. Η ιδανική περιεκτικότητα σε χαλκό είναι μεταξύ 0.4 και 0.7 ppm. Η δοκιμαστική λωρίδα δηλώνει αν η περιεκτικότητα χαλκού είναι πολύ χαμηλή ή πολύ υψηλή. Ο ιονιστής ενεργοποιείται πατώντας το κουμπί "+" στην οθόνη (V) (ανατρέξτε στο σχέδιο 2 & 9). Η κατάσταση των εκπομπών χαλκού εμφανίζεται με κόκκινο χρώμα στην οθόνη. Μπορεί να είναι οποιοσδήποτε αριθμός μεταξύ "0" και "99". Εάν θέσετε τον ιονιστή σε "00", θα απενεργοποιηθεί και δεν θα εκπέμπει πλέον χαλκό. Η αρχική θέση εκκίνησης της οθόνης εξαρτάται από το μέγεθος της πισίνας και από τα αποτελέσματα της δοκιμαστικής λωρίδας όταν κάνατε την πρώτη δοκιμή νερού. Εάν η περιεκτικότητα χαλκού είναι πολύ χαμηλή μετά την πρώτη δοκιμή, μπορείτε να αυξήσετε τον εμφανιζόμενο αριθμό, για παράδειγμα 30 ή παραπάνω, χρησιμοποιώντας το κουμπί "+". Δοκιμάστε ξανά το νερό μετά από μία εβδομάδα και, εάν η δοκιμαστική λωρίδα υποδεικνύει ακόμα ότι είναι χαμηλή η τιμή του χαλκού, αυξήστε ξανά τον αριθμό της οθόνης. Εάν η δοκιμαστική λωρίδα υποδεικνύει μια σωστή τιμή μεταξύ 0.4 και 0.7 ppm, δεν χρειάζεται να αλλάξετε τίποτα στην οθόνη. Εάν η τιμή χαλκού είναι πολύ υψηλή, θέστε την εμφανιζόμενη τιμή σε "00" χρησιμοποιώντας το κουμπί "-" για να σταματήσει η εκπομπή χαλκού στο νερό. Εάν δοκιμάσετε ξανά το νερό μετά από μία εβδομάδα, το αποτέλεσμα στη δοκιμαστική λωρίδα θα υποδεικνύει αν πρέπει να ενεργοποιήσετε ξανά τον ιονιστή ή όχι. Στο τέλος θα μπορείτε να καθορίσετε τη σωστή στάθμη χαλκού της πισίνας ελέγχοντας τακτικά και αυξάνοντας ή μειώνοντας την εμφανιζόμενη τιμή. Ο ιονιστής θα απενεργοποιείται αυτόματα κάθε 2 εβδομάδες και οι αριθμοί στην οθόνη της συσκευής δεν θα είναι πλέον αναμμένοι. Η λυχνία UV-C θα συνεχίσει να λειτουργεί όσο υπάρχει ρεύμα συνδεδεμένο. Όποτε απενεργοποιείται ο ιονιστής πρέπει να δοκιμάσετε το νερό χρησιμοποιώντας τις παρεχόμενες δοκιμαστικές λωρίδες. Η συσκευή μπορεί να ενεργοποιηθεί ξανά με το κουμπί "+" και η θέση στην οποία ήταν ρυθμισμένη η οθόνη πριν την απενεργοποίηση εμφανίζεται ξανά αυτόματα στην οθόνη. Μόλις ενεργοποιήσετε τον ιονιστή δεν θα μπορείτε να απενεργοποιήσετε ξανά μόνοι σας την οθόνη και θα απενεργοποιηθεί ξανά αυτόματα μετά από 336 ώρες. Εάν κάνατε κάποιο λάθος ή εάν δεν θέλετε να χρησιμοποιήσετε τον ιονιστή, απλώς θέστε τη σωστή τιμή στην οθόνη σε "00". Στη διάρκεια του πρώτου μήνα χρήσης, το νερό της πισίνας πρέπει να δοκιμάζεται κάθε εβδομάδα μέχρι να βρείτε τη σωστή στάθμη. Μετά από έναν μήνα, η δοκιμή μπορεί να μειωθεί σε μία φορά κάθε δύο εβδομάδες. Η τιμή PH μπορεί επίσης να δοκιμαστεί με τις δοκιμαστικές λωρίδες. Μια τιμή PH μεταξύ 7.0 – 7.6 είναι η βέλτιστη τιμή για ηλεκτρόλυση χαλκού. Είναι δυνατό να συνεχίσετε να χρησιμοποιείτε χλώριο αν απαιτείται, αλλά φυσικά σε πολύ χαμηλή δόσολογία, επειδή ο ιονιστής Blue Lagoon UV-C απολυμαίνει ήδη το νερό της πισίνας. Είναι σημαντικό να χρησιμοποιείται πάντα οργανικό χλώριο (υγρό, σε κόκκους, ράβδους ή παστίλλες) σε συνδυασμό με έναν ιονιστή. Οι άλλοι τύποι χλωρίου δεν λειτουργούν σε συνδυασμό με την ηλεκτρόλυση χαλκού. Προσοχή! Μην βάζετε παστίλλες ή κόκκους χλωρίου στον πυθμένα της πισίνας. Εξαιτίας της υψηλής συγκέντρωσης χλωρίου, τα ιόντα χαλκού θα ιζηματοποιηθούν και θα προκαλέσουν αποχρωματισμό.

Λυχνία αντικατάστασης και μονάδα χαλκού

Η λυχνία UV-C και η μονάδα χαλκού μπορούν να χρησιμοποιηθούν για πάνω από 2 κολυμβητικές σεζόν με χρήση 12 ωρών ανά ημέρα και 6 μήνες ανά έτος. Η λυχνία UV-C και η μονάδα χαλκού πρέπει να αντικαθίστανται αν ο αριθμός "88" αρχίσει να αναβοσβήνει στην οθόνη του ιονιστή Blue Lagoon UV-C. Είναι δυνατή η παραγγελία ενός σετ αντικατάστασης από τον διανομέα από τον οποίο αγοράσατε τη συσκευή. Κάθε τύπος συσκευής έχει το δικό του σετ αντικατάστασης βάσει του τύπου της λυχνίας UV-C. Εάν αντικαταστήσετε τη λυχνία UV-C και τη μονάδα χαλκού, μπορείτε να μηδενίσετε την οθόνη πατώντας ταυτόχρονα τα κουμπί "+" και "-" για 3 δευτερόλεπτα.

Σε αντικατάσταση: Χαλκός, Blue Lagoon 40 Watt λυχνία & δοκιμαστικές λωρίδες, κωδικός: B200012

Σε αντικατάσταση: Χαλκός, Blue Lagoon 75 Watt λυχνία & δοκιμαστικές λωρίδες, κωδικός: B200013

Πλεονεκτήματα της εφαρμογής UV-C:

- Διασφάλιση φρέσκου, καθαρού και διαυγούς νερού
- Αποτελεσματική και ασφαλής απολύμανση νερού
- Προστασία της πισίνας από μικρόβια
- Διατήρηση υπό έλεγχο του σχηματισμού μούχλας, βακτηρίων και φυκιών
- Δυνατότητα μείωσης της χρήσης χλωρίου και άλλων χημικών έως 100%
- Το δεσμευμένο χλώριο αποσυντίθεται από το φως UV-C
- Μεγαλύτερη φιλικότητα προς το περιβάλλον σε σχέση με άλλες παραδοσιακές μεθόδους.

Χαρακτηριστικά του ιονιστή Blue Lagoon UV-C:

- Επιτρέπει το κλύμπι χωρίς τη χρήση χλωρίου
- Απολύμανση έως 80% μέσω UV-C
- Απολύμανση έως 20% μέσω ηλεκτρόλυσης χαλκού
- Το περίβλημα από ανοξείδωτο χάλυβα με χωρητικότητα 316L αποδίδει έως 35% περισσότερο UV-C ως αποτέλεσμα ανάκλασης
- Η λυχνία UV-C και η μονάδα χαλκού επαρκούν για 2 κολυμβητικές περιόδους
- Εύκολη εγκατάσταση και συντήρηση
- Εγγύηση 2 ετών ως προς κατασκευαστικά σφάλματα
- Ο ιονιστής Blue Lagoon UV-C είναι γειωμένος

Ασφάλεια

Αυτή η συσκευή παράγει επιβλαβή ακτινοβολία. Η απευθείας επαφή μπορεί να θέσει σε κίνδυνο τα μάτια και το δέρμα. Να ελέγχετε τη λειτουργία της λυχνίας UV-C μόνο μέσω των διαφανών εξαρτημάτων της μονάδας.

- Η μη ενδεδειγμένη χρήση της συσκευής ή η ζημιά στο περίβλημα μπορεί να οδηγήσει σε διαρροή επικίνδυνης ακτινοβολίας UV-C. Ακόμα και σε μικρές δόσεις, η ακτινοβολία UV-C μπορεί να προκαλέσει τραυματισμούς στα μάτια και στο δέρμα.
- Να εισάγετε πάντα το βύσμα της συσκευής σε μια γειωμένη πρίζα που διαθέτει προστατευτικό κάλυμμα.
- Τηρείτε πάντα τους κανονισμούς της επιχείρησης ηλεκτρισμού σχετικά με τη μόνιμη σύνδεση στην κύρια τροφοδοσία ρεύματος. Εάν υπάρχει κάποια αμφιβολία σχετικά με τη σύνδεση, συμβουλευτείτε έναν πιστοποιημένο ηλεκτρολόγο ή την επιχείρηση ηλεκτρισμού. Η εργασία πρέπει να γίνεται πάντα με ασφαλειοδιακόπτη κυκλώματος διαρροής γείωσης (έως 30mA).
- Απουσιάζετε πάντα το βύσμα από την πρίζα πριν από την εκτέλεση εργασιών συντήρησης ή επισκευής στη μονάδα. Μην εισάγετε / εξάγετε ποτέ το βύσμα από την πρίζα, ενώ στέκεστε μέσα σε νερό ή αν τα χέρια σας είναι βρεγμένα.
- Αυτή η συσκευή δεν προορίζεται για χρήση από άτομα (συμπεριλαμβανομένων των παιδιών) με μειωμένες φυσικές, αισθητικές ή πνευματικές ικανότητες ή έλλειψη εμπειρίας και τεχνογνωσίας, εκτός αν επιτηρούνται ή έχουν λάβει οδηγίες για τη χρήση της συσκευής από ένα άτομο υπεύθυνο για την ασφάλειά τους.
- Κρατάτε τα παιδιά σε απόσταση από αυτήν τη συσκευή και από το καλώδιο. {-}
- Το καλώδιο της συσκευής δεν είναι δυνατό να αντικατασταθεί. Πρέπει να αντικαθίσταται κομπλέ η ηλεκτρική μονάδα της συσκευής εάν υπάρχει τυχόν ζημιά στο καλώδιο ρεύματος. Μην αφαιρείτε ποτέ το βύσμα, αλλά να διατηρείτε πάντα την ηλεκτρική μονάδα άθικτη. Μια ηλεκτρική μονάδα στην οποία έχει αφαιρεθεί το βύσμα, δεν καλύπτεται πλέον από την εγγύηση.
- Είναι πολύ σημαντικό να δοκιμάζεται το νερό! Εάν η περιεκτικότητα σε χαλκό είναι πολύ υψηλή, αυτό μπορεί να προκαλέσει αποχρωματισμό στην πισίνα, σε μαγιό, σε νύχια και ξανθά μαλλιά. Εάν η περιεκτικότητα σε χαλκό είναι πολύ χαμηλή, το νερό δεν απολυμαίνεται επαρκώς. Τηρήστε το προτεινόμενο επίπεδο των 0.4 έως 0.7 ppm. Βάλτε μια σημείωση στο τηλέφωνο/στην ατζέντα σας για να το θυμάστε οίγουρα.
- ΠΟΤΕ μην χρησιμοποιείτε τον ιονιστή Blue Lagoon UV-C σε συνδυασμό με σύστημα ηλεκτρόλυσης άλατος ή σε εμβάπτιση σε αλμυρό νερό. Ο συνδυασμός χαλκού και άλατος ενδέχεται να προκαλέσει άκρωσ τοξική χημική αντίδραση.
- Μην βυθίζετε ποτέ τη συσκευή σε νερό.
- Μην εγκαθιστάτε ποτέ τη μονάδα σε σημείο με απευθείας έκθεση στην ηλιακή ακτινοβολία.
- Να εγκαθιστάτε τη συσκευή μόνο σε στεγνό και καλά αεριζόμενο χώρο.
- Μετά την απενεργοποίηση της συσκευής, η λυχνία παραμένει ζεστή για περίπου 10 λεπτά.
- Μην χρησιμοποιείτε τη συσκευή αν έχει ζημιά κάποιο από τα εξαρτήματα (αυτό ισχύει ειδικά για το γυαλί χαλαζία).
- Να αφαιρείτε τη συσκευή αν υπάρχει κίνδυνος παγώματος στη διάρκεια των χειμερινών μηνών.
- Αυτό το προϊόν επιτρέπεται να χρησιμοποιείται μόνο σύμφωνα με τις οδηγίες που περιγράφονται σε αυτό το εγχειρίδιο.
- Εάν η συσκευή χρησιμοποιηθεί σε συνδυασμό με χημικές ουσίες, να διαβάζετε πάντα πρώτα διεξοδικά τις οδηγίες χρήσης για αυτά τα προϊόντα. Να δίνετε ιδιαίτερη προσοχή στους κανονισμούς ασφαλείας.

Εγκατάσταση του καλωδίου γείωσης (σχέδιο 1)

- 1 Τραβήξτε το καλώδιο (B) μέσα από το ανακουφιστικό καταπόνσης (F) πριν να τοποθετήσετε το συνθετικό ανακουφιστικό καταπόνσης (F) στο μπουλόνι γείωσης (A). Τοποθετήστε το ανακουφιστικό καταπόνσης (F) περίπου 10 cm από την οπή (H) του καλωδίου γείωσης (B).
- 2 Τοποθετήστε την οπή (H) του καλωδίου (B) στο μπουλόνι γείωσης (A) που είναι τοποθετημένο στο περίβλημα.
- 3 Κατόπιν τοποθετήστε μια οδοντωτή ροδέλα ασφάλισης (C), ένα εξάγωνο παξιμάδι (D) και άλλη μία οδοντωτή ροδέλα ασφάλισης (E) στο επάνω μέρος της οπής (H).
- 4 Τοποθετήστε το ανακουφιστικό καταπόνσης (F) στο επάνω μέρος, δημιουργώντας μια θηλιά Ø 5 cm.
- 5 Στο τέλος τοποθετήστε το παξιμάδι ασφάλισης (G) στο μπουλόνι γείωσης (A).
- 6 Μόλις τοποθετηθούν τα διάφορα παξιμάδια στο μπουλόνι γείωσης (A) με τη σωστή σειρά, μπορούν να σφιχτούν με γεμανικό ή με πολύγωνο κλειδί διάστασης 8. Μην σφίγγετε πολύ δυνατά, διαφορετικά μπορεί να ραγίσετε το ανακουφιστικό καταπόνσης. (Το διαφανές παξιμάδι που ήταν βιδωμένο στο μπουλόνι γείωσης (A) κατά την παράδοση δεν έχει άλλη χρήση και μπορεί να απορριφθεί).

Εγκατάσταση της συσκευής (σχέδιο 2)

Μην βυθίζετε ποτέ τη συσκευή στο νερό. Η εγκατάσταση πρέπει πάντα να γίνεται έξω από την πισίνα. Διασφαλίστε ότι διέρχεται πάντα νερό από τη μονάδα όταν είναι αναμμένη η λυχνία. Ο ιονιστής Blue Lagoon UV-C δεν πρέπει ποτέ να εγκαθίσταται πίσω από τον ρυθμιστή PH στην εγκατάσταση της πισίνας. Η ιδανική θέση είναι πίσω από την αντλία και το φίλτρο.

- 1 Καθορίστε τη θέση εγκατάστασης της συσκευής.
- 2 Τοποθετήστε τη μονάδα στο κύκλωμα χρησιμοποιώντας τους συζεύκτες τριών στοιχείων (I).
- 3 Τοποθετήστε τα παρεχόμενα κλιπ αγωγών (O) σε καθορισμένες θέσεις, πιέστε τη μονάδα στα κλιπ αγωγών και σφίξτε τον συζεύκτη τριών στοιχείων (I). Διασφαλίστε ότι υπάρχει επαρκής διαθέσιμος χώρος (+/- 1 μέτρο) για την αφαίρεση της λυχνίας (K) / του γυαλιού χαλαζία (M) για λόγους αντικατάστασης και/ή εκτέλεσης συντήρησης.
- 4 Σύρτε προσεκτικά τη λυχνία Blue Lagoon UV-C στο γυαλί χαλαζία (M). Τοποθετήστε τη λυχνία (K) στη βάση λυχνίας (L) και σφίξτε το παξιμάδι (N) στη μονάδα με το χέρι.
- 5 Ενεργοποιήστε τη λυχνία και ελέγξτε το σύστημα ως προς διέλευση και διαρροές. Προσέξτε τη σωστή θέση των δακτυλίων στεγανοποίησης (P) όσον αφορά στις συνδέσεις και στο γυαλί χαλαζία (**ανατρέξτε στο σχέδιο 2**).
- 6 Τοποθετήστε το βύσμα της συσκευής UV-C σε μια επίτοιχη πρίζα που διαθέτει γείωση ασφαλείας και αποζεύκτη κυκλώματος ρεύματος διαρροής γείωσης (ELCB). Ελέγξτε ότι είναι αναμμένη η λυχνία κοιτώντας μέσα από τις διαφανείς περιοχές της συσκευής.
- 7 Η συσκευή απενεργοποιείται πλήρως αν αφαιρεθεί το βύσμα από την υποδοχή.
- 8 Διασφαλίστε ότι απομένει ελεύθερη περιοχή +/- 1 μέτρο για να έχετε τη δυνατότητα αφαίρεσης της λυχνίας (K) / του γυαλιού χαλαζία (M) για λόγους αντικατάστασης ή/και εκτέλεσης συντήρησης. Πρέπει να υπάρχει ένας ελάχιστος χώρος 30 cm στο κάτω μέρος για την αντικατάσταση της μονάδας χαλκού (U).

Αποσυρμολόγηση / Συντήρηση / Αντικατάσταση χαλκού & λυχνίας

Να απενεργοποιείτε πάντα την τροφοδοσία ρεύματος στη διάρκεια της συντήρησης/αποσυρμολόγησης της συσκευής. Η συσκευή πρέπει να καθαρίζεται κάθε 3 μήνες. Εάν υπάρχει αύξηση των φυκιών ή/και κλιμάκωση, τότε πρέπει να καθαρίζεται ο σωλήνας γυαλιού χαλαζία (M) στον οποίο βρίσκεται η λυχνία. Είναι δυνατό να ξαναληθεί η μονάδα χαλκού πιο γρήγορα εξαιτίας εξωτερικών επιδράσεων. Συνεπώς θα πρέπει να ελέγχετε τη μονάδα χαλκού κατά τον καθαρισμό. Κατά την κανονική χρήση, η ειδική λυχνία Blue Lagoon UV-C και η μονάδα χαλκού πρέπει να αντικαθίστανται μετά από 2 κολυμβητικές σεζόν. Το εσωτερικό περίβλημα από ανοξείδωτο χάλυβα πρέπει να καθαρίζεται με μια μαλακή βούρτσα.

- 1 Ξεβιδώστε τους συζεύκτες τριών στοιχείων (I) και αποστραγγίστε το νερό από τη συσκευή.
- 2 Ξεβιδώστε το βιδωτό καπάκι (N) και τραβήξτε το λίγο προς τα επάνω, μαζί με τη λυχνία. Αφαιρέστε προσεκτικά τη λυχνία από τη βάση λυχνίας (K). Όταν ξεβιδωθεί η λυχνία, τραβήξτε την προσεκτικά από το γυαλί χαλαζία. Επειδή αυτά τα μέρη είναι πολύ ευθραυστα, απαιτείται προσοχή.
- 3 Αφαιρέστε προσεκτικά το γυαλί χαλαζία (M) με ένα μεγάλο πλακέ κατσαβίδι (**ανατρέξτε στο σχέδιο 3**). Μην ασκείτε ποτέ δύναμη!
- 4 Καθαρίστε το γυαλί χαλαζία με κατάλληλο διάλυμα. Συνιστούμε να χρησιμοποιείτε ένα καθαριστικό διάλυμα που να βασίζεται σε κιτρικό οξύ. Χρησιμοποιείτε πάντα ένα μαλακό πανί για τον καθαρισμό του γυαλιού, για να μην το γρατσουνίσετε.
- 5 Προσέξτε τη σωστή θέση των δακτυλίων σφράγισης (P) κατά την αντικατάσταση του γυαλιού χαλαζία στο περίβλημα και συμπεριλάβετε προσεκτικά το άκρο του γυαλιού χαλαζία στην εισαγωγή (Q) (**ανατρέξτε στο σχέδιο 4**). Μην ασκείτε ποτέ δύναμη!
- 6 Για να αντικαταστήσετε τη μονάδα χαλκού (U) (**ανατρέξτε στο σχέδιο 3**), ξεβιδώστε το προστατευτικό κάλυμμα (R) του συνδετήρα (S) με ένα κατσαβίδι και αποσυνδέστε την καλωδίωση από τον συνδετήρα. Κατόπιν ξεβιδώστε το βιδωτό καπάκι (T) στο κάτω μέρος της συσκευής. Αφαιρέστε προσεκτικά τη μονάδα χαλκού με ένα μεγάλο πλακέ κατσαβίδι (**ανατρέξτε στο σχέδιο 3**). Μην ασκείτε ποτέ δύναμη! Τοποθετήστε μια νέα μονάδα χαλκού στη συσκευή και επανασυνδέστε την καλωδίωση μέσω του συνδετήρα (**ανατρέξτε στο σχέδιο 5**). Διασφαλίστε ότι ταιριάζουν τα χρώματα των καλωδίων: μπλε με μπλε, καφέ με καφέ. Στο τέλος σφίξτε τις βίδες του συνδετήρα. Επανατοποθετήστε το κάλυμμα του συνδετήρα. Διασφαλίστε ότι τα μαύρα κελύφη των δύο καλωδίων έχουν εισαχθεί αρκετά μέσα στον συνδετήρα και βιδώστε σφιχτά το καπάκι πίσω στη θέση του.
- 7 Διαβάστε διεξοδικά το κεφάλαιο “Εγκατάσταση και αποσυρμολόγηση” πριν από την αποσυρμολόγηση ενός νέου περιβλήματος ή της ηλεκτρικής μονάδας. Η ηλεκτρική μονάδα της συσκευής βρίσκεται στο κουτί οθόνης (W) της συσκευής. Αυτό το κουτί οθόνης είναι κολημένο

και δεν είναι δυνατό να ανοιχτεί. Εάν αντικατασταθεί η ηλεκτρική μονάδα, ολόκληρο το κουτί πρέπει να ξεβιδωθεί και να αποσυνδεθεί η καλωδίωση από τη συσκευή (**ανατρέξτε στα σχέδια 1 & 5**). Ξεβιδώστε το επάνω βιδωτό μέρος (**N**) και αφαιρέστε προσεκτικά τη βάση λυχνίας από τη λυχνία. Τα τυχόν χαλαρά μέρη, π.χ. της γείωσης κ.λπ., πρέπει να φυλάγονται προσεκτικά καθώς δεν παρέχονται με νέο περίβλημα ή ηλεκτρική μονάδα. Σε περίπτωση αμφιβολιών σχετικά με τη σύνδεση, επικοινωνήστε με αναγνωρισμένο εγκαταστάτη.

Ο ιονιστής Blue Lagoon UV-C είναι διαθέσιμος στους παρακάτω τύπους:

Ιονιστής Blue Lagoon UV-C 40.000 λίτρα / 40 Watt (230V, 50/60Hz), κωδικός: B200002

Ιονιστής Blue Lagoon UV-C 75,000 λίτρα / 75 Watt (230V, 50/60Hz), κωδικός: B200003

Τεχνικές προδιαγραφές	40.000 l	75.000 l
• Λυχνία TUV UV-C	40 Watt	75 Watt
• Απόδοση UV-C (W)	15 Watt	25 Watt
• Περιεκτικότητα πισίνας (L)	40.000 l	70.000 l
• Μέγιστη διέλευση	20.000 l/h	25.000 l/h
• Μέγιστη ποσότητα χαλκού	0,7 ppm	0,7 ppm
• Μέγιστη πίεση	2 bar	2 bar
• Μέγιστη θερμοκρασία	50°C	50°C
• Ελάχιστη θερμοκρασία	0°C	0°C
• Μέγεθος σύνδεσης	Ø 63 mm	Ø 63 mm
• Μήκος της συσκευής	100 cm	100 cm

9 ΒΗΜΑΤΑ ΓΙΑ ΜΙΑ “ΤΕΛΕΙΑ” ΠΙΣΙΝΑ ΜΕ ΧΡΗΣΗ ΙΟΝΙΣΤΗ.

1. Χλωρίωση shock:

Εάν η πισίνα σας δεν είναι εντελώς καινούργια, φιλτράρετε και εκτελέστε χλωρίωση shock στο νερό με 5 ppm για 3-5 συνεχείς ημέρες.

2. Ισορροπία:

Η πισίνα σας πρέπει να έχει ισορροπία pH μεταξύ των τιμών 7.0- 7.6 pH. Πρέπει να ελέγχεται εβδομαδιαία.

3. Πλήρως διαλυμένες στερεές ουσίες:

Οι πλήρως διαλυμένες στερεές ουσίες πρέπει να είναι 750-1500 ppm.

4. Κυανουρικό οξύ (σταθεροποιητής):

Το ιδανικό εύρος είναι 0-30 ppm.

5. Συνολική αλκαλικότητα:

Το ιδανικό εύρος πρέπει να είναι 80-120 ppm (συνήθως αυτορυθμίζεται αν το pH είναι ισορροπημένο)

6. Σκληρότητα ασβεστίου:

Το ιδανικό εύρος είναι 225-375 ppm.

7. Τοποθέτηση του ιονιστή:

Τοποθετήστε τον ιονιστή ακολουθώντας τις οδηγίες του κατασκευαστή του ιονιστή.

8. Επίπεδα ιόντων χαλκού: (ιδανικό εύρος 0,4 – 0,7 ppm)

Να λειτουργείτε τον ιονιστή σε συνδυασμό με το σύστημα αντλίας ώσπου να επιτευχθεί το συνιστώμενο επίπεδο ιόντων χαλκού (απαιτούνται περίπου 2 εβδομάδες). Ρυθμίστε τους χρόνους της αντλίας πισίνας και τα επίπεδα απόδοσης του ιονιστή ώστε να διατηρούνται 0,4 – 0,7 ppm χαλκού. (Συνήθως μαζί με τον ιονιστή παρέχεται ένα κιτ ελέγχου χαλκού.)

9. Απολαύστε!!

Τώρα που έχετε ρυθμίσει τα επίπεδα ιόντων σύμφωνα με τους χρόνους της αντλίας, θα μπορείτε να κάθεστε και να απολαμβάνετε την εμποτιζόμενη με μεταλλικά στοιχεία πισίνα σας, γνωρίζοντας ότι το νερό έχει μια ΑΞΕΠΕΡΑΣΤΗ πρώτη γραμμή άμυνας ενάντια σε βακτήρια, ιούς, μύκητες, ένζυμα και ΟΛΕΣ ΤΙΣ ΜΟΡΦΕΣ ΑΛΓΗΣ.

Όροι εγγύησης

Κάνετε μια εξαιρετική επιλογή αγοράζοντας αυτό το προϊόν. Η συσκευή έχει συναρμολογηθεί προσεκτικά και σύμφωνα με όλους τους ισχύοντες κανονισμούς ασφαλείας. Για λόγους ποιότητας, ο προμηθευτής έχει χρησιμοποιήσει μόνο υλικά υψηλής ποιότητας. Ο προμηθευτής παρέχει εγγύηση για τη συσκευή η οποία καλύπτει σφάλματα υλικού και κατασκευής για 2 έτη από την ημερομηνία αγοράς. Η λυχνία και το γυαλί χαλαζία δεν συμπεριλαμβάνονται σε αυτήν την εγγύηση. Αξιώσεις βάσει της εγγύησης είναι δυνατές μόνο αν το προϊόν επιστραφεί με πληρωμή των τελών αποστολής και έγκυρη απόδειξη αγοράς. Δεν είναι δυνατή καμία αξίωση βάσει της εγγύησης σε περίπτωση λαθών εγκατάστασης ή λειτουργίας, κακής χρήσης, μη συμμόρφωσης με τους κανονισμούς ασφαλείας, κακής συντήρησης, ζημιές ή σε περίπτωση μη εξουσιοδοτημένων τροποποιήσεων. Σε περίπτωση αξίωσης βάσει της εγγύησης, ο προμηθευτής διατηρεί το δικαίωμα επίσκεψης της συσκευής ή πλήρους αντικατάστασης της, κατά την κρίση του. Οι επακόλουθες ζημιές δεν περιλαμβάνονται στην εγγύηση. Αναγνωρίζονται ενστάσεις σχετικά με ζημιές από την μεταφορά μόνο αν η ζημία αναγνωρίστηκε ή επιβεβαιώθηκε κατά την παράδοση από τον μεταφορέα ή τις ταχυδρομικές αρχές. Είναι δυνατές τυχόν αξιώσεις ως προς τον μεταφορέα ή τις ταχυδρομικές αρχές, αν έχει συμβεί το παραπάνω.

Blue Lagoon UV-C Ionizer 40.000 - 75.000

TR

Cihazı monte etmeden önce, kullanım klavuzunu dikkatlice okuyunuz.

İşlevi

De Blue Lagoon UV-C Copper Ionizer havuz suyunuzu bakır elektrolizi ve UV-C ışınları kombinasyonu ile temizlemektedir. De Blue Lagoon UV-C Copper Ionizer yüzme havuzu filtresi sonrası teçhizat sistemine yerleştirilir. Havuz suyu Blue Lagoon UV-C sistemi üzerinden geçmektedir. UV-C lambası içindeki bakır ünitesi ionizer diye adlandırılmaktadır. Sistem içinde dolaşan su, bakır ünitesindeki bakır biraz aşındırır. Bu bakır iyonlar suda pozitif olarak doldurulur, bakteriyel duvarları, virüsleri ve diğer PRIMİTİEV organizmalara etki eder. Duvarda oluşan bu hücreler artık belirli besin maddelerini bünyesine alamadıkları için çoğalma gösteremezler. Bakırın pozitif oluşum içinde olması işleme bakır elektrolizi diyoruz. Su içindeki bakır bir dezenfekte olarak işlev göstermekte ve sonuç olarak klorun gösterdiği etkiyle kıyaslanabilir. Blue Lagoon UV-C Ionizer içinde bulunan UV-V lambası UV-V ışınları oluşturmaktadır. Bu UV-C ışığı 253,7 nm dalga uzunluğunda olup, bakteriler, virüsler ve diğer organizmaları zamanında yok eder. Su, cihazın uzunluğu içinde ekstra uzun bir şekilde kalarak yüksek dozda ışına maruz kalmaktadır. Işınlar DNA bakterilerini, virüsleri ve Mikro-organizmaları imha etmektedir. İç kısımdaki 316L RVS, UV-C ışınlarının ekstra olarak yansımalarını sağlamak suretiyle etkiyi % 35 oranında yükseltmektedir.

Araştırmalardan çıkan sonuçlardan anlaşıldığına göre UV-C ışınları havuz suyunun % 80 oranında dezenfekte edilmesini sağlamaktadır. Bakır havuz suyunun yaklaşık % 20 oranını dezenfekte etmektedir. Tüm verilerin % 100 doğru olması durumunda, bakır elektro sistemiyle kombine olduğunda, havuzun tüm kimyasallardan arınması sağlanmaktadır. Blue Lagoon UV-C Copper Ionizer sayesinde dezenfekte işlemi emniyetli bir şekilde gerçekleşmekte ve harika bir su kalitesini ortaya çıkmaktadır.

Kullanım

Blue Lagoon UV-C Copper Ionizer'in sisteminize monte edilmesinden sonra UV-C lambası fişi prize soktuğunuz anda direk olarak çalışmaya başlar. Ionizer'i faaliyete geçirmeden, önce yüzme havuzundaki o anki bakır oranını ölçmek için suyu test etmeniz gerekmektedir. İdeal bakır balansı 0,4 ile 0,7 ppm arasında olmalıdır. Test şeridinden bakır oranının çok yüksek veya çok düşük olduğunu görebilirsiniz.

De Ionizer'i ekrandaki "+" düğmesine basarak (V)(2 & 9 resmine bakınız) işleme sokuyorsunuz. Ekranda gözüken kırmızı kısım vasıtasıyla bakır aşınmasını görebilirsiniz. Bu "0" dan "99'a" kadar olan bir veri içermektedir. Ionizer'i "00'a" getirmeniz durumunda artık herhangi bir bakır aşınması olmadığı ortaya çıkacaktır. Ekranın başlangıç ayarı yüzme havuzunun büyüklüğü ve yüzme havuzu suyunun ilk test sonuçlarıyla ortaya çıkan durumla alakalıdır. Şayet ilk test sonucunda bakır durumu çok düşük ise "+" düğmesi vasıtasıyla yükseltiyorsunuz, örneğin 30 veya daha yukarı. Bir hafta sonra suyu tekrar test ediyorsunuz ve buna rağmen bakır oranları halen düşük ise display vasıtasıyla ayarı yükseltiyorsunuz. Şayet test 0,4 ile 0,7 ppm oranındaki doğru verileri gösteriyorsa ayarlarda herhangi bir değişiklik yapmanıza gerek yoktur. Ne zaman bakır oranı verileri çok yüksek ise display "00" ayanına "-" düğmesi vasıtasıyla getirerek sudaki bakır aşınmasını önlemiş oluyorsunuz. Bir hafta sonra yeniden suyu test ederek ortaya çıkan sonuca göre ionizer'i açıp açmayacağınıza karar verebilirsiniz. Yüksek veya düşük verilerin tespitini yapabilmek için düzenli test yaparaksınız yüzme havuzundaki doğru bakır balansını ayarlayabilirsiniz.

Her 336 dakika bir Ionizer otomatikman kapanır. Cihazdaki rakamların display'de artık yanmadığını görürsünüz. UV-C lambaları ise elektrik akımı takılı olduğu sürece yanmaya devam edecektir. Ionizer'i kapatmanız durumunda beraberinde verilen test şeritleri vasıtasıyla test yapmak zorundasınız. Cihazı gene "+" düğmesiyle açuyorsunuz. Display'deki otomatik ayarlanmış kapanma şekli gene display [ekran] de görülecektir. Ionizer'i açtıktan sonra artık kendinizi kapatamazsınız. Display 336 dakika sonra gene otomatik olarak kapanacaktır. Ionizer'i açma konusunda yanlışmanız durumunda display'i tekrar "00" ayanına geri getirebilirsiniz.

İlk kullanımı ayarında yüzme havuz suyunu her hafta test etmek suretiyle doğru balansı bulmanız gerekmektedir. İlk aydan sonra testleri 2 hafta da 1 defaya düşürebilirsiniz. PH değerlerini de test şeritleriyle test edebilirsiniz. 7.0 – 7.6 arasındaki PH değerleri bakır elektrolize için en ideal değerdir.

Azırtı etmenizde tabii çok düşük dozda klor kullanabilirsiniz, çünkü Blue Lagoon UV-C Ionizer dezenfekte işlemini zaten yerine getirmektedir. Dikkat edilmesi gereken ve önemli husus, her zaman için organik olmayan klor (sıvı, tanecekler, çubuklar veya pastil) ionize edici cihaz ile kombineli kullanılması zorunluluğudur. Diğer klor maddeleri bakır elektroliz sistemiyle kombineli olarak kullanılamamaktadır.

Dikkat! klorin tabletlerini ya da granülleri havuzun dibine yerleştirmeyin. Yüksek konsantrasyondaki klorin ve bakır iyonu çokelti oluşturur ve suyun rengini değiştirir.

Lamba ve bakır ünitesinin değiştirilmesi

UV-C lambası ve bakır ünitesi 2 yüzme sezonu boyunca günde 12 saatlik kullanımla yılda 6 ay süresince kullanılabilmektedir. Blue Lagoon UV-C Ionizer ve bakır ünitesi ekranda "88" işaretinin yanıp sönmesi durumunda UV-C lambasının ve bakır ünitesinin değiştirilmesi gerektiği anlamına gelmektedir. Değiştirilmesi gereken bu setleri cihazı satın aldığınız yerden temin edebilirsiniz. Her çeşit cihazın şekline göre UV-C lambası değiştirme seti bulunmaktadır. UV-C lambası ve bakır ünitesini değiştirdikten sonra "+" düğmesine ve 3 saniye boyunca "-" düğmesini basılı tutmak suretiyle tamamen siliyorsunuz [reset].

Setin değiştirilmesi: Bakır, Blue Lagoon lambası 40 Wat & test şeridi artikel numarası: B200012

Setin değiştirilmesi: Bakır, Blue Lagoon lambası 75 Wat & test şeridi artikel numarası: B200013

UV-C kullanımının faydaları:

- Suyun serin, temiz ve berrak olmasını sağlar
- Suyu en iyi ve emniyetli bir şekilde dezenfekte olmasını sağlar
- Havuzunuzu Mikro organizmaya karşı korur
- Mantar, bakteri ve yosunlanmaya karşı kontrol altında tutar
- Klor ve diğer kimyasalların kullanımını % 100 azaltmaktadır
- UV-C ışını birleşmiş kloru kırmaktadır
- Klasik metodlarla kıyaslandığında çevre için daha iyidir

Lagoon UV-C Ionizer'in özellikleri:

- Kloruzuz yüzmek mümkündür
- UV-C tarafından % 80'e kadar dezenfekte edilmesi
- Bakır elektroliz vasıtasıyla % 20'ye varan oranda dezenfekte edilmesi
- 316L RVS iç çalışmada % 35'e varan oranda yansıma nedeniyle UV-C elde edilmesi
- UV-C lambası ve bakır ünitesi 2 yüzme sezonu boyunca kullanılabilir
- Basit montaj ve bakım
- Fabrika hatalarından kaynaklanan sorunlarda 2 yıl garanti
- Blue Lagoon UV-C Copper Ionizer toprak hattı bağlantılıdır

Emniyet

Bu cihaz zararlı ışınlar üretmektedir. Direk kontak teması durumunda gözleriniz ve cildinizde tehlike oluşabilir. UV-C lambasını sadece ünitenin transparan bölümü kısmından kontrol ediniz.

- Cihazın hedeflenen amaç dışında kullanımı veya muhafazaya zarar verilmesi tehlikeli UV-C ışınının dışarıya kaçmasına sebep olabilir. Küçük dozlarda olsa bile UV-C ışınımı gözlere ve cilde zarar verebilir.
- Daima cihazın fişini koruyucu kapağı olan topraklı bir prize takın.
- Şebekeye yapılacak sabit bir bağlantı için daima elektrik dağıtım şirketinin kurallarına uyun. Bağlantı ile ilgili herhangi bir şüphenez varsa, güvenilir bir elektrikçiye veya elektrik dağıtım şirketine danışın. Daima bir toprak kaçak akım rölesi devre kesici kullanın (maks. 30 mA).
- Cihazda herhangi bir bakım veya onarım yapmadan önce daima cihazın fişini prizden çekin. Islak bir yere basarken veya elleriniz ıslakken asla fişi prizden çekmeyin veya prize takmayın.
- Bu cihaz, güvenliklerinden sorumlu bir kişi tarafından cihazın kullanımı ile ilgili eğitim verilmediği veya bu kişinin gözetiminde olmadıkları sürece, fiziksel, algılama veya akıl yetenekleri açısından ehil olmayan veya bu cihazla ilgili eğitimi ve deneyimi olmayan kişilerin (çocuklar dahil) kullanımı için uygun değildir.
- Çocukları bu cihazdan ve kablосundan uzak tutun.
- Cihazın kablosu değiştirilebilir değildir. Elektrik kablosunda bir sorun olduğu takdirde cihazın elektrik ünitesi komple değiştirilmelidir. Asla fişi sökmeyin ve elektrik ünitesinin içini açmaya kalkmayın. Fişi sökülmüş bir elektrik ünitesi garanti kapsamından çıkar.
- Suyun test edilmesinin önemi çok büyüktür! Yüksek orandaki bakır oranı yüzme havuz suyu, yüzme giysileri, tırnak ve sarı saçların renklenmesine sebebiyet verebilir. Düşük orandaki bakır durumu ise suyun yeterince dezenfekte olmasını sağlamaz. Yazılan doğru balans olan 0,4 ile 0,7 ppm arasındaki verileri uygulamaya çalışın. Telefonunuza not düşmek suretiyle hatırlayacağınız gibi, unutmaya olasılığını da bu şekilde önlemiş olursunuz.
- Blue Lagoon UV-C Copper Ionizer'i HİÇBİR ZAMAN tuzlu elektroliz sistem veya tuzlu havuz kombinasyonu ile birlikte kullanmayınız. Bakır ile tuzun birleşimi çok zehirli olan kimyasal bir reaksiyon verilmesine sebep olabilir.
- Asla bu cihazı suya daldırmayın.
- Asla cihazı doğrudan güneş ışığı alan bir yere kurmayın.
- Cihazı daima kuru ve iyi havalandırılan bir alana kurun.
- Cihaz kapatıldıktan sonra yaklaşık 10 dakika süresince lamba sıcak kalmaya devam eder.
- Bileşenlerinden birisi (özellikle quartz camı) zarar gördüğü takdirde cihazı kullanmayın.
- Kış aylarında donma tehlikesi varsa cihazı sökün.
- Bu cihaz yalnızca bu kitapçıkta belirtilen kurallara uygun olarak kullanılabilir.
- Bu cihazda Kimyasallarla kullanılacaksa önce bu maddelerin kullanımı ile ilgili kuralları okuyun. Lütfen güvenlik kurallarına özellikle dikkat edin.

Toprak hattı kablosunun montajı (Resim 1)

- 1 Plastik Dağıtım yerinden önce [çekici gücün dağıtıldığı yer/trekontlasting] (F) toprak hattı pirizine (A) monte ederek önce kabloyu (B) çekici gücün dağıtıldığı bölgeden (F) alın. [Trekontlasting]'i (F) yaklaşık olarak gözden 10 cm uzaklıkta (H) toprak hattı kablosundan (B).
- 2 Gözü yerleştirin (H) kabloyu (B) toprak hattı pirizindeki (A) donanıma bağlı olan kısma.
- 3 Daha sonra dişli zinciri yerleştirin (C), altı köşeli somun (D) ve tekrar dişli zinciri (E) göze yerleştirin (H).
- 4 [Trekontlasting]'i takın (F) yukarıya takarak Ø 5cm'lik bir alan oluşmasını sağlayın.
- 5 Son olarak emniyet somunu (G) toprak hattına (A) yerleştirin.
- 6 Değişik somunlar doğru sıralamayla toprak hattına (A) 8 no'lu parça veya yüzük anahtar vasıtasıyla yerleştirilerek sıkıştırılması gerekmektedir. Tamamen sıkıstırmak suretiyle yalama yapmasını ise önleyiniz, çünkü bu durumda [trekontlasting] yırtılabilir. Cihazla birlikte verilen toprak hattı fişi transparan somunu (A) vidalanmış olan bu somun başka bir işlevi olmadığından atılabilir.

Cihazın montesi (Resim 2)

Cihazı hiç bir şekilde suyun altına daldırmayın. Montaj işlemi her zaman için havuzun dışında olması gerekmektedir. Gene her zaman lamba yandıığında ünite de su dolmasının gerçekleşmesini sağlayın. Blue Lagoon UV-C Copper Ionizer'i hiç bir zaman PH ayarlayıcının arkasına yerleştirilemez. En uygun ortam popma ve filtre sonrasdır.

- 1 Cihazı monte etmek için en doğru pozisyona getirin.
- 2 Üniteyi üç bölümden oluşan kavramaya monte edin (I) çemberin içindeki.
- 3 Beraberinde verilen boru bağlantılarını (O) sabit bir yere, üniteyi boru bağlantılarına sabitleyin ve üç başlı kavramayı dönderin. (I) sabitleyin. Yeterince alan bırakılmasını (+/- 1 mtr.) sağlayarak, lamba daki (K)/ çeyrek camı (M) değiştirilmek üzere ve /veya bakımı için çıkartın.
- 4 Blue Lagoon UV-C lambasını dikkatlice çeyrek camın içine yerleştirin (M). Lambayı (K) lamba yuvasına yerleştirin (L) ve somunu çevirin (N) elinizle üniteyi tutun.
- 5 Pompayı çalıştırın ve sistemdeki su doluşmasını ve akıntıyla kontrol edin. Burada kapama yüzüklerini doğru pozisyona döndermeye dikkat edin (P) bu durum hem teçizatın takılması ve hem de çeyrek camdaki işlemlerde gereklidir (**Resime bakınız**).
- 6 Fişi UV-C cihazına toprak hatlı duvar pirizine takınız. Cihazın transparan bölümlerinde lambanın yanıp yanmadığını kontrol ediniz.
- 7 Fişi prizden çıkarmak suretiyle cihazı tamamen kapatmış oluyorsunuz.
- 8 Yaklaşık +/- 1 metrelik bir alan bırakarak lambayı (K) / çeyrek camdan (M) değiştirilmesi ve /veya bakımı için çıkartın. Ve minimum 30 cm değiştirilen bakır ünitesinin altına (U).

Bakır & lambanın Demontajı / Bakımı / değiştirilmesi

Cihazın bakımı ve demontajı esnasında elektrik akımını herzmaman kapatın. Cihazın her 3 ay da bir temizlenmesi gerekmektedir. Yosun ve/veya kireçlenmenin artış göstermesi durumunda, çeyrek cam borusunu (M) lambanın sokulduğu yuvasını temizlemek gerekmektedir. Bakır ünitesi dışardan gelişen etkilere fonksiyonunu daha hızlı bir şekilde kaybedebilir. Temizlik işlemini yaparken bakır ünitesini de kontrol edin. Özel Blue Lagoon UV-C lambası ve bakır ünitesinin normal kullanım çerçevesinde, 2 yuzme sezonu sonrası değiştirilmesi gerekmektedir. RVS iç kısmını ise yumuşak bir fırçayla temizleyebilirsiniz.

- 1 Üç başlı kavramayı (I) gevşetin ve suyun cihazdan akmasını sağlayın.
- 2 Dönen kafayı (N) gevşetin ve bunu lambayla birlikte birazcık yukarıya kaldırın. Lambayı dikkatli bir şekilde yuvasından çıkartın (K). Lamba boşa çıkınca dikkatli bir şekilde çeyrek camdan çıkartın. Burada çok hassas parçaların sözkonusu olmasından dolayı dikkatli hareket etmek gerekmektedir.
- 3 Çeyrek camı dikkatli bir şekilde (M) büyük ve düz bir tornavida vasıtasıyla çıkartın (**Resim 3'e bakınız**). Hiç bir şekilde force etmeyin!
- 4 Çeyrek camı bunun için uygun bir madde ile temizleyin. Size bunun için asit sitrik ile temizlemeyi öneririz. Her zaman itibarıyla yumuşak bir bez kullanın, çizilmeyi önleyin.
- 5 Çeyrek camın kapatma yüzükleriyle doğru pozisyonda tekrar yerleştirilmesinde dikkatli olunması gerekmektedir (P) ve sonuç itibarıyla çeyrek camı dikkatli bir şekilde yuvasına koyunuz (Q) (**resim 4'e bakınız**). Hiç bir zaman force etmeyiniz!
- 6 Bakır ünitesini değiştirmeden önce (U) (**resim 3'e bakınız**) bir tornavida vasıtasıyla koruyucu kapağı (R) başlık taşından (S) açın ve kabloyu başlık taşından çıkartın. Sonrasında ise dönen kapağı çevirmek suretiyle (T) cihazın alt kısmından çıkartıyorsunuz. Bakır ünitesini dikkatlice ve büyük ve düz bir tornavida vasıtasıyla çıkartıyorsunuz (**resim 3'e bakınız**). Hiç bir zaman force etmiyorsunuz! Sonrasında ise yeni bir bakır ünitesini cihaza yerleştiriyor ve kabloyu gene başlık taşı vasıtasıyla takıyorsunuz (**resim 5'e bakınız**). Kabloların renklerinin birbirleriyle uyumlu olmasına özen gösterin: maviyi mavinin yanına, kahverengini kahve renginin yanına. Son olarak başlık taşını tornavida vasıtasıyla sabitliyorsunuz. Başlık taşı koruyucu kapağını ise sonradan tekrar yerine takıyorsunuz. Siyah kılıfın her iki tarafını da kontrol etmek suretiyle bağlantı bölgesiyle yeterince mesafe bırakın ve kapağı yerine sabitleyin.
- 7 Yeni bir bağlantı veya elektrik bölümünün demonte edilmesi durumunda öncelikle ilk bölümü ve Demontaj kısmını okumanızda yarar vardır. Cihazın elektrik bölümü display kutusunda (W) bulunmaktadır. Bu display kutusu yapıstırılmıştır ve açılması mümkün değildir. Elektrik bölümünün değiştirilmesinde tüm kutu ve kablounun çıkartılması gerekmektedir. (1 & 5 no'lu resimlere bakınız). Dönen başlığı (N) çıkartın ve

lamba yuvasını dikkatlice lambadan çıkartın. Topraklama vs gibi değişik parçaları iyi bir şekilde saklamaya özen gösterin. Bunlar yeni cihaz veya elektrik parçalarıyla beraberinde verilmemektedir. Montaj işlemlerinde olası bir şüphede, uzman bir teçhizatçıya danışın.

De Blue Lagoon UV-C Copper Ionizer aşağıda belirtilen modellerde elde edilebilir:

Blue Lagoon UV-C Copper Ionizer 40.000 Litre / 40 Wat (230V; 50/60Hz) artikel numarası: B200002

Blue Lagoon UV-C Copper Ionizer 75.000 Litre / 75 Wat (230V; 50/60Hz) artikel numarası: B200003

Technik bilgiler	40.000 L	75.000 L
• Lamba TUV UV-C	40 Wat	75 Wat
• UV-C çıkışı (W)	15 Wat	25 Wat
• Yüzme havuz içeriği (L.)	40.000 L	70.000 L
• Maksimum akıntı	20.000 l/h	25.000 l/h
• Maksimum bakır	0,7 p.p.m.	0,7 p.p.m.
• Maksimum baskı	2 bar	2 bar
• Maksimum sıcaklık	50°C	50°C
• Minimum sıcaklık	0°C	0°C
• Format bağlantısı	Ø 63 mm	Ø 63 mm
• Cihazın uzunluğu	100 cm	100 cm

İYONLAŞTIRICI İLE 9 ADIMDA “MÜKEMMEL” HAVUZ.

1. Şok:

Havuzunuzun yeni değilse, suyu 3-5 günde bir 5ppm klorin ile Filtreleyin ve Şoklayın.

2. Denge:

Havuzunuzun pH seviyesi 7.0- 7.6 aralığında tutulmalıdır. Bu değer haftalık olarak kontrol edilmelidir.

3. Toplam çözülmüş katılar:

TDS (toplam çözülmüş katı madde) 750-1500 ppm’de olmalıdır.

4. Siyanürik asit (dengeleyici):

İdeal aralık 0-30 ppm olmalıdır.

5. Toplam alkalilik:

İdeal aralık 80-120 ppm olmalıdır (normalde, pH dengelenmişse bu değerler arasındadır)

6. Kalsiyum sertliği:

İdeal aralık 225-375 ppm olmalıdır.

7. İyonlaştırıcının montajı:

İyonlaştırıcınızı üreticinin talimatlarını izleyerek monte edin.

8. Bakır iyon seviyeleri: (ideal aralık 0,4 – 0,7 ppm)

Tavsiye edilen bakır iyonu seviyelerine gelene kadar, iyonlaştırıcınızı pompa sisteminizle bağlantılı bir şekilde çalıştırın (yaklaşık 2 hafta).

Havuz pompa zamanlarını ve İyonlaştırıcının çıkış sürelerini 0,4 – 0,7 ppm bakır aralığını koruyacak şekilde ayarlayın. (Genelde İyonizerin yanında bir bakır test kiti de gelir).

9. Tadını çıkartın!!

İyon seviyelerinizi pompa zamanına göre ayarladıktan sonra; suyunuzun Bakteriler, Virüsler, Mantarlar, Köpükler ve TÜM ALG FORMLARIYLA AMANSIZCA savaştığını bilerek, arkanıza yaslanıp mineral katkılı havuzun tadını çıkarabilirsiniz.

Garanti şartları

Bu ürün ile harika bir seçim yaptınız. Cihaz dikkatli bir şekilde ve uygulanabilir bütün emniyet kriterleriyle donatılmıştır. Kalitenin korunması adına üretici firma en yüksek standart daki parçaları kullanmıştır. Yetkili şirket, cihazın satıldığı tarihten itibaren 2 yıl boyunca materyal- ve fabrika hatalarına karşı garanti sunmaktadır. Çeyrek camın içinde bulunan lamba ise garanti dışında kalmaktadır. Garanti durumları sadece ürünün franco olarak geri gönderilmeyiyle ve satın alındığını gösteren belgeyle mümkün olmaktadır. Montaj- ve uygulama hataları, uzmanlar tarafından kullanılmaması, emniyet kriterline uyulmaması, bakım işlemlerinin gerektiği gibi yapılmaması, zarar verilmesi, aynı şekilde teknik değişikliklerin yapılması durumunda garanti haklarından yararlanma sözkonusu değildir. Ürünü satan firma cihazın tamininin yapılması veya tamamen değiştirilmesinde tek yetkilidir. Devamında ortaya çıkan zararlar garanti kapsamı dışında kalır. Transport dan kaynaklanan zararlar sadece teslimat esnasında tespit edilmesi durumunda veya taşıyıcı firmanın bunu kabullemesi durumunda karşılanabilir. Bu durumda zararın karşılanması için taşıyıcı veya posta firmasına başvuru yapılması gerekmektedir.

Przed instalacją urządzenia prosimy o dokładne zapoznanie się z niniejszą instrukcją obsługi.

Zasada działania

Jonizator Blue Lagoon UV-C oczyszcza wodę basenową za pośrednictwem elektrolizy miedzi w połączeniu z promieniowaniem UV-C. Jonizator Blue Lagoon UV-C umieszcza się w instalacji za filtrem basenowym. Woda z basenu przepływa przez obudowę jonizatora, w której znajduje się lampa UV-C i wkład miedziany zwany jonizatorem. W trakcie przepływania wody wkład miedziany uwalnia do niej minimalną ilość miedzi. Uwolnione do wody jony miedzi (Cu^{2+}) mają ładunek dodatni. Niszczą one ścianki komórek bakterii, wirusów i innych prymitywnych organizmów, które w wyniku tego nie są w stanie wchłaniać substancji odżywczych i w konsekwencji nie mogą się rozmnażać. Proces naładowywania miedzi ładunkiem dodatnim nazywany jest elektrolizą miedzi. Miedź w wodzie Twojego basenu działa jak środek dezynfekcyjny i pod względem rezultatu jej działanie może zostać porównane do działania chloru. Umieszczona w jonizatorze Blue Lagoon UV-C lampa UV-C wytwarza promieniowanie UV-C. Długość fali tego promieniowania UV-C wynosi 253,7 nm i jest ono zabójcze dla bakterii, wirusów i innych prymitywnych organizmów. Dzięki długiej obudowie urządzenia woda poddawana jest przez wydłużony czas tej wysokiej dawce promieniowania, które niszczy DNA bakterii, wirusów i mikroorganizmów. Wewnętrzna powłoka wykonana ze stali nierdzewnej 316L zapewnia dodatkowe odbicie promieniowania UV-C, co powoduje zwiększenie wydajności do 35%.

Badania wykazały, że do 80% wody w basenie dezynfekowane jest przez światło UV-C, a do 20% przez miedź. Zakładając, że dane są w 100% poprawne, połączenie UV-C z elektrolizą miedzi pozwala na bezpieczne pływanie bez konieczności stosowania chemikaliów. Dzięki jonizatorowi Blue Lagoon UV-C woda będzie dezynfekowana w sposób wydajny i bezpieczny, co zapewni jej zawsze doskonałą jakość.

Eksplotacja

Po zamontowaniu jonizatora Blue Lagoon UV-C w instalacji lampa UV-C włączy się od razu po włożeniu wtyczki do gniazda. Przed włączeniem jonizatora należy najpierw sprawdzić aktualne stężenie miedzi w wodzie basenowej. Idealna zawartość miedzi mieści się pomiędzy 0,4 a 0,7 ppm. Za pomocą paska testowego można odczytać, czy zawartość miedzi jest zbyt duża lub zbyt niska.

Jonizator włącza się poprzez naciśnięcie przycisku „+” na wyświetlaczu (V) (zob. rys. 2 i 9). Na ekranie pojawia się na czerwono stopień uwalniania miedzi. Może to być liczba pomiędzy „0” a „99”. Ustawienie jonizatora na „00” oznaczać będzie jego wyłączenie i brak uwalniania miedzi. Początkowy stan na wyświetlaczu, od którego urządzenie rozpoczyna pracę, zależy od wielkości basenu i wyniku na pasku testowym po przeprowadzeniu pierwszego testu wody. Jeżeli pierwszy test wykaże, że zawartość miedzi jest zbyt niska, należy za pomocą przycisku „+” zwiększyć wyświetlaną wartość na np. 30 lub wyższą. Po tygodniu wodę należy sprawdzić ponownie i, jeśli pasek testowy nadal pokazuje niską zawartość miedzi, podwyższyć wartość na wyświetlaczu. Jeżeli pasek testowy pokazuje właściwą wartość pomiędzy 0,4 a 0,7 ppm, to na wyświetlaczu nie jest konieczna żadna zmiana. W przypadku, gdy stężenie miedzi jest zbyt wysokie, należy za pomocą przycisku „-” obniżyć wartość na wyświetlaczu do „00” tak, aby zatrzymać uwalnianie miedzi do wody. Po tygodniu przeprowadzić test ponownie i na jego podstawie zdecydować, czy jonizator można znowu włączyć. Powtarzanie testów i oparta na nich regulacja wartości na wyświetlaczu pozwoli po pewnym czasie na uzyskanie właściwej równowagi miedzi w Twoim basenie.

Co 336 godzin jonizator wyłączy się automatycznie, co można zauważyć na podstawie zgaśnięcia cyfr na wyświetlaczu. Lampa UV-C palić się będzie jednak nadal tak długo, jak urządzenie będzie podłączone do prądu. Gdy jonizator jest wyłączony, należy zawsze obowiązkowo sprawdzić wodę za pomocą dołączonych pasków testowych. Urządzenie włącza się ponownie za pomocą przycisku „+”. Na wyświetlaczu pojawi się wtedy wartość ustawiona przed jego automatycznym wyłączeniem. Po włączeniu jonizatora nie jest już możliwe ręczne wyłączenie wyświetlacza. Wyłączy się on automatycznie znowu po 336 godzin. W przypadku pomyłki lub jeżeli nie chcemy, aby jonizator był wyłączony, należy po prostu ustawić stan na wyświetlaczu na „00”.

W pierwszym miesiącu eksploatacji wodę w basenie należy sprawdzać co tydzień do momentu uzyskania pożądanej równowagi. Po miesiącu częstotliwość testów można zmniejszyć do 1 na 2 tygodnie. Za pomocą pasków testowych można także sprawdzić wartość pH. Optymalna wartość pH w połączeniu elektrolizą miedzi mieści się w granicach 7,0 - 7,6.

Stosowanie chloru jest dopuszczalne, lecz powinien być on dodawany w bardzo niewielkich dawkach, ponieważ jonizator Blue Lagoon UV-C zapewni już dezynfekcję basenu. Ważne jest, aby w połączeniu z jonizatorem zawsze używać chloru nieorganicznego (płynnego, granulowanego, w postaci pałeczek lub tabletek). Inne rodzaje chloru nie będą działać w połączeniu z elektrolizą miedzi.

Uwaga! Nie kłaść granulatu lub tabletek chlorowych na dnie basenu. Pod wpływem wysokiej koncentracji chloru jony miedzi mogą się osadzać i powodować przebarwienia.

Wymiana lampy i wkładu miedzianego

Lampa UV-C i wkład miedziany wystarczają na 2 sezony eksploatacji basenu przy użyciu przez 12 godzin dziennie i 6 miesięcy w roku. Lampę UV-C i wkład miedziany należy wymienić, gdy na wyświetlaczu jonizatora Blue Lagoon UV-C zacznie migać liczba „88”. Zestaw do wymiany można nabyć u dystrybutora, u którego urządzenie zostało zakupione. Każdy typ urządzenia wymaga innego zestawu do wymiany ze względu na typ lampy UV-C. Po wymianie lampy UV-C i wkładu miedzianego wyświetlacza można zresetować, naciskając jednocześnie przez 3 sekundy na przyciski „+” i „-”.

Zestaw do wymiany: Miedź, lampa Blue Lagoon 40 W i paski testowe, numer artykułu: B200012

Zestaw do wymiany: Miedź, lampa Blue Lagoon 75 W i paski testowe, numer artykułu: B200013

Zalety uzdatniania wody za pomocą promieniowania UV-C:

- Zapewnia czystą, świeżą i przejrzystą wodę
- Dezynfekuje w sposób wydajny i bezpieczny
- Chroni basen przed zarazkami chorobotwórczymi
- Kontroluje tworzenie się pleśni, bakterii i glonów
- Może ograniczyć użycie chloru i innych chemikaliów o 100%
- Światło UV-C rozbija związany chlor
- Jest bardziej przyjazne dla środowiska naturalnego niż tradycyjne metody

Właściwości jonizatora Blue Lagoon UV-C:

- Możliwość korzystania z basenu bez chloru
- Do 80% dezynfekcji za pomocą UV-C
- Do 20% dezynfekcji za pomocą elektrolizy miedzi
- Wewnętrzna obudowa ze stali nierdzewnej 316L zapewnia do 35% większą wydajność dzięki odbijaniu UV-C
- Lampa UV-C i wkład miedziany wystarczają na 2 sezony eksploatacji
- Prosta instalacja i konserwacja
- 2 lata gwarancji na wady produkcyjne
- Jonizator Blue Lagoon UV-C jest uziemiony

Bezpieczeństwo

Urządzenie wytwarza szkodliwe promieniowanie. Bezpośredni kontakt może spowodować obrażenia skóry i oczu. Działanie lampy UV-C należy sprawdzać tylko poprzez przezroczyste części obudowy.

- Niezamierzone użycie urządzenia lub uszkodzenie obudowy może prowadzić do wydostania się szkodliwego promieniowania ultrafioletowego UV-C. Nawet niewielkie dawki promieniowania UV-C mogą spowodować obrażenia skóry i oczu.
- Urządzenie należy podłączać tylko do uziemionego gniazda z kłapką.
- Przy stałym podłączeniu do sieci elektrycznej muszą być spełnione przepisy zakładu energetycznego. W przypadku wątpliwości dotyczących podłączenia należy skonsultować się z renomowanym elektrykiem lub zakładem energetycznym. Obwód zasilający musi być wyposażony w wyłącznik różnicowoprądowy (maks. 30 mA).
- Przed rozpoczęciem prac konserwacyjnych lub naprawczych przy urządzeniu należy zawsze wyjąć wtyczkę z gniazda. Nie wolno nigdy podłączać/odłączyć wtyczki do/z gniazda, stojąc w kałuży wody lub mokrymi rękoma.
- Urządzenie nie jest przeznaczone do użytkowania przez osoby (w tym dzieci) o ograniczonych zdolnościach fizycznych, zmysłowych lub psychicznych, bądź też z niedostatecznym doświadczeniem i wiedzą, chyba że znajdują się one pod nadzorem lub są poinstruowane odnośnie korzystania z urządzenia przez osobę, która odpowiada za ich bezpieczeństwo.
- Nie dopuszcza dzieci do urządzenia lub jego przewodu zasilającego.
- Przewód zasilający urządzenie nie może być wymieniany. W przypadku uszkodzenia przewodu prądowego należy wymienić cały zespół elektryczny. Nigdy nie należy demontować wtyczki, pozostawić zespół elektryczny w stanie nienaruszonym. Zespół elektryczny z odciętą wtyczką nie podlega gwarancji.
- Należy koniecznie sprawdzać wodę! Zbyt wysoka zawartość miedzi może powodować przebarwienia w basenie, strojów kąpielowych, paznokci i włosów blond. Zbyt niska zawartość miedzi może prowadzić do niedostatecznej dezynfekcji. Należy utrzymywać zalecany poziom równowagi 0,4 do 0,7 ppm. Ustawić przypomnienie w telefonie, aby o tym pamiętać.
- NIGDY nie używać jonizatora Blue Lagoon UV-C w połączeniu z systemem elektrolizy soli lub w basenie ze słoną wodą. Połączenie miedzi z solą może doprowadzić do reakcji chemicznej, która jest bardzo trująca.
- Nigdy nie zanurzać urządzenia pod wodą.
- Nie instalować urządzenia w miejscu pełnego nasłonecznienia.
- Urządzenie instalować zawsze w suchym i odpowiednio wentylowanym miejscu.
- Po wyłączeniu urządzenia lampa ultrafioletowa pozostaje gorąca przez około 10 minut.
- Nie używać urządzenia w przypadku uszkodzenia jakichkolwiek jego elementów (w szczególności rurki ze szkła kwarcowego).
- W przypadku zagrożenia zamarznięciem w miesiącach zimowych urządzenie należy zdemontować.
- Z urządzenia należy korzystać wyłącznie według zaleceń podanych w niniejszej instrukcji.
- W przypadku użycia w połączeniu z chemikaliami należy zawsze zapoznać się z instrukcją stosowania tego produktu. Zwrócić szczególną uwagę na przepisy bezpieczeństwa.

Instalacja przewodu uziemiającego (Rys. 1)

- 1 Przed zamontowaniem plastikowego zabezpieczenia przed wyrwaniem (F) na śrubie uziemiającej (A) należy najpierw przeciągnąć przewód (B) przez zabezpieczenie przed wyrwaniem (F). Odsunąć zabezpieczenie przed wyrwaniem (F) na około 10 cm od oczka (H) przewodu uziemiającego (B).
- 2 Umieścić oczko (H) przewodu (B) na śrubie uziemiającej (A) zamocowanej na obudowie.
- 3 Następnie umieścić sprężystą podkładkę zębatą (C), nakrętkę sześciokątną (D) i jeszcze jedną podkładkę zębatą (E) na oczku (H).
- 4 Zamocować zabezpieczenie przed wyrwaniem (F) na górze połączenia tak, aby powstała pętla o średnicy \varnothing 5 cm.
- 5 Na koniec nałożyć nakrętkę blokującą (G) na śrubę uziemiającą (A).
- 6 Po nałożeniu poszczególnych nakrętek we właściwej kolejności na śrubie uziemiającej (A), śrubę tę należy dokręcić kluczem płaskim lub oczkowym nr 8. Nie dokręcać zbyt mocno, bo może to spowodować pęknięcie zabezpieczenia przed wyrwaniem. (Przezroczysta nakrętka, która została nakręcona na śrubie uziemiającej (A) przy dostawie urządzenia, jest zbędna i może zostać usunięta).

Instalacja urządzenia (Rys. 2)

Nigdy nie zanurzać urządzenia pod wodą. Urządzenie instalować zawsze poza basenem. Upewnić się, że przy włączonej lampie przez urządzenie zawsze przepływa woda. Jonizator Blue Lagoon UV-C nie może być nigdy instalowany za regulatorem wartości pH w instalacji basenu. Idealnym miejscem instalacji jest za pompą i filtrem.

- 1 Wyznaczyć odpowiednie miejsce do montażu urządzenia.
- 2 Zamontować urządzenie w obwodzie za pomocą złączy trzyczęściowych (I).
- 3 Przymocować dostarczone zaciski do rury (O) do stałego miejsca montażu, umieścić urządzenie w zaciskach i zakręcić trzyczęściowe złącze (I). Zapewnić pozostawienie wystarczającej przestrzeni (+/- 1 m) w celu usunięcia lampy (K)/ rurki ze szkła kwarcowego (M) przy wymianie i/ lub konserwacji.
- 4 Wsunąć ostrożnie lampę Blue Lagoon UV-C w rurkę ze szkła kwarcowego (M). Zamocować lampę (K) w uchwycie (L) i zakręcić ręcznie nakrętkę (N) na urządzeniu.
- 5 Uruchomić pompę i sprawdzić system pod kątem przepływu i szczelności. Należy przy tym zwrócić uwagę na prawidłową pozycję pierścieni uszczelniających (P) przy połączeniach i przy rurce ze szkła kwarcowego (zob. rys. 2).
- 6 Włożyć wtyczkę zasilania urządzenia UV-C do gniazda sieciowego z uziemieniem typu Schuko i wyposażonego w wyłącznik różnicowoprądowy. Sprawdzić przez przezroczystą część obudowy, czy lampa pali się.
- 7 Aby całkowicie wyłączyć urządzenie, należy wyjąć wtyczkę z gniazdka zasilającego.
- 8 Zapewnić wolną przestrzeń (+/- 1 m) w celu usunięcia lampy (K)/ rurki ze szkła kwarcowego (M) przy wymianie i/ lub konserwacji. Zapewnić także co najmniej 30 cm u dołu urządzenia w celu wymiany wkładu miedzianego.

Demontaż/ konserwacja/ wymiana miedzi i lampy

Podczas prac konserwacyjnych/ demontażu urządzenia należy zawsze odłączyć zasilanie. Urządzenie powinno być czyszczone co 3 miesiące. W przypadku wzrostu populacji alg i/ lub osadzania się kamienia należy oczyścić rurkę ze szkła kwarcowego (M), w której umieszczona jest lampa. Wkład miedziany może ulec szybszemu zużyciu w wyniku oddziaływania czynników zewnętrznych. Dlatego też podczas czyszczenia należy także sprawdzić wkład miedziany. W warunkach normalnej eksploatacji specjalna lampa Blue Lagoon UV-C i wkład miedziany powinny być wymieniane po 2 sezonach eksploatacji. Do czyszczenia wnętrza urządzenia ze stali nierdzewnej można użyć miękkiej szczotki.

- 1 Odkręcić trzyczęściowe złącza (I) i spuścić wodę z urządzenia.
- 2 Odkręcić nakręcaną pokrywę (N) i wyciągnąć ją z lampą na niewielką odległość. Odłączyć ostrożnie lampę od uchwytu (K). Po odłączeniu lampy wyciągnąć ją ostrożnie z rurki kwarcowej. Wszystkie komponenty są bardzo kruche, dlatego należy zachowywać dużą ostrożność.
- 3 Wyjąć ostrożnie rurkę kwarcową (M) używając dużego, płaskiego wkrętaka (zob. rys. 3). Nie stosować nadmiernej siły!
- 4 Oczyszczyć rurkę ze szkła kwarcowego za pomocą odpowiedniego środka. Zalecamy środek czyszczący na bazie kwasu cytrynowego. W celu uniknięcia zadrapań do czyszczenia szkła należy używać miękkiej ściereczki.
- 5 Wkładając ponownie rurkę kwarcową, należy zwrócić uwagę na właściwą pozycję pierścieni uszczelniających (P). Końcówkę rurki wsunąć ostrożnie w element ustalający (Q) (zob. rys. 4). Nie stosować nadmiernej siły!
- 6 Aby wymienić wkład miedziany (U) (zob. rys. 3), odkręcić śrubokrętem ochronną (R) złączki instalacyjnej (S) oraz odkręcić odłączyć przewody w złączce. Następnie odkręcić pokrywę nakręcaną (T) na dole urządzenia. Wyjąć ostrożnie wkład miedziany, używając dużego płaskiego wkrętaka (zob. rys. 3). Nie stosować nadmiernej siły! Włożyć nowy wkład do urządzenia i połączyć przewody za pomocą złączki instalacyjnej (zob. rys. 5). Upewnić się, że kolory przewodów są do siebie dopasowane: niebieski z niebieskim, brązowy z brązowym. Na koniec zakręcić śruby w złączce i przymocować pokrywę ochronną złączki. Przed przykręceniem pokrywy sprawdzić, czy czarne koszulki obu części przewodu są odpowiednio głęboko włożone w złączkę.
- 7 Przy demontażu nowej obudowy lub zespołu elektrycznego, należy najpierw zapoznać się z rozdziałem Instalacja i Demontaż. Zespół elektryczny urządzenia jest umieszczony w skrzynce wyświetlacza (W) znajdującej się na urządzeniu. Skrzynka wyświetlacza jest sklejona i nie można jej otworzyć. W przypadku wymiany zespołu elektrycznego należy odkręcić całą skrzynkę i odłączyć przewody urządzenia (zob.

rys. 1 i 5). Odkręcić pokrywę nakręcaną (N) i ostrożnie odłączyć uchwyt od lampy. Zwrócić uwagę, aby nie zgubić różnych luźnych elementów, np. elementów uziemienia, ponieważ nie są one dostarczane z nową obudową lub zespołem elektrycznym. W przypadku jakichkolwiek wątpliwości dotyczących połączeń należy zwrócić się do uprawnionego elektryka.

Oferowane są następujące typy jonizatora Blue Lagoon UV-C:

Jonizator Blue Lagoon UV-C 40.000 litrów / 40 W (230V; 50/60Hz) numer artykułu: B200002

Jonizator Blue Lagoon UV-C 75.000 litrów / 75 W (230V; 50/60Hz) numer artykułu: B200003

Dane techniczne	40.000 l	70.000 l
• Lampa TUV UV-C	40 W	75 W
• Moc wyjściowa UV-C (W)	15 W	25 W
• Pojemność basenu (l)	40.000 l	70.000 l
• Przepływ maks.	20.000 l/h	25.000 l/h
• Zawartość miedzi maks.	0,7 p.p.m.	0,7 p.p.m.
• Ciśnienie maks.	2 bar	2 bar
• Temperatura maks.	50°C	50°C
• Temperatura min.	0°C	0°C
• Średnica podłączenia	Ø 63 mm	Ø 63 mm
• Długość urządzenia	100 cm	100 cm

9 KROKÓW DO „DOSKONAŁEGO” BASENU Z UŻYCIEM JONIZATORA

1. Dezynfekcja szokowa

Gdy basen nie jest całkowicie nowy, przefiltrować wodę i zastosować dawkę 5 ppm chloru przez 3 do 5 kolejnych dni.

2. Równowaga

W basenie należy zapewnić równowagę pH w granicach 7,0 - 7,6. Sprawdzać co tydzień.

3. Całkowita zawartość substancji rozpuszczonych

Całkowita zawartość substancji rozpuszczonych powinna się mieścić pomiędzy 750 a 1500 ppm.

4. Kwas cyjanowy

Optymalna zawartość powinna się mieścić pomiędzy 0 a 30 ppm.

5. Zasadowość ogólna

Optymalne wartości mieszczą się pomiędzy 80 a 120 ppm. (Są zasadniczo uzyskiwane wtedy, gdy pH jest w równowadze).

6. Twardość wapniowa

Optymalne wartości mieszczą się pomiędzy 225 a 375 ppm.

7. Instalacja jonizatora

Zainstalować jonizator zgodnie z niniejszą instrukcją.

8. Poziom miedzi (0,4 - 0,7 ppm)

Pozostawić pracujący jonizator razem z pompą, aż osiągnięty zostanie zalecany poziom miedzi (trwa to +/- 2 tygodnie). Ustawić jonizator tak, aby utrzymywał się optymalny poziom miedzi pomiędzy 0,4 a 0,7 ppm. Można to sprawdzić za pomocą dostarczonych pasków testowych.

9. Ciesz się basenem!

Teraz, gdy zawartość miedzi jest na właściwym poziomie, można w pełni cieszyć z basenu, wiedząc, że woda ma najlepszą jakość i jest chroniona przed bakteriami, wirusami, pleśniami i wszelkimi rodzajami alg.

Warunki gwarancji

Kupując ten produkt, dokonali Państwo doskonałego wyboru. Urządzenie zostało zmontowane starannie i zgodnie ze wszystkimi mającymi zastosowanie wymaganiami bezpieczeństwa. Ze względów jakościowych dostawca użył wyłącznie wysokowartościowych materiałów. Dostawca udziela gwarancji na wady materiałowe i fabryczne urządzenia w okresie 2 lat od daty zakupu. Udzielana gwarancja nie obejmuje lampy i rurki ze szkła kwarcowego. Roszczenia z tytułu gwarancji mogą być rozpatrywane wyłącznie wtedy, gdy produkt zostanie dostarczony z ważnym dowodem zakupu i zostanie opłacona przesyłka. Roszczenia z tytułu gwarancji nie mogą być uwzględnione w przypadku błędów w instalacji i obsłudze, niewłaściwego użycia, nieprzestrzegania przepisów bezpieczeństwa, wadliwej konserwacji, uszkodzeń, jak również przeprowadzenia modyfikacji technicznych. W przypadku roszczeń gwarancyjnych dostawca zastrzega sobie prawo do naprawy lub wymiany całego urządzenia według własnego uznania. Gwarancja nie obejmuje szkód pośrednich. Reklamacje dotyczące uszkodzeń powstałych podczas transportu będą przyjmowane tylko wówczas, gdy powstanie uszkodzenia zostanie stwierdzone lub potwierdzone przy dostawie przez spedytora lub firmę kurierską. Tylko w takim przypadku można dochodzić roszczeń u spedytora czy firmy kurierskiej.

Ionizátor Blue Lagoon UV-C 40.000 - 75.000

CZ

Přečtěte si tyto pokyny k používání ještě před instalováním zařízení.

Provoz

Ionizátor Blue Lagoon UV-C vyčistí vodu ve vašem bazénu prostřednictvím elektrolýzy s rozpouštěním měděné anody v kombinaci se zářením typu UV-C. Ionizátor Blue Lagoon UV-C je umístěn v potrubním systému za bazénovým filtrem. Bazénová voda pak proudí tělesem ionizátoru Blue Lagoon UV-C. Zdroj záření UV-C a jednotka elektrolýzy s měděnou anodou, neboli ionizátor, jsou umístěny uvnitř tělesa, přičemž elektrolytická jednotka uvolňuje do vody proudící tělesem minimální množství mědi. Ionty mědi (Cu²⁺) ve vodě mají kladný náboj a narušují buněčné stěny bakterií, virů a jiných jednoduchých organismů. Jelikož je buněčná stěna poškozená, nejsou takové organismy nadále schopné přijímat žádné živiny, a tedy nejsou schopné se dále množit. Proces uvolňování iontů mědi s kladným nábojem se nazývá elektrolýza s rozpouštěním měděné anody. Měď ve vodě bazénu působí jako dezinfekční tlumivý prostředek a ve výsledku je to možné srovnávat s účinkem chlóru. Lampa UV-C, která je umístěna v ionizátoru Blue Lagoon UV-C, generuje ultrafialové záření typu C. Jedná se o záření UV-C s vlnovou délkou 253,7 nm, které působí tak, že ničí viry a ostatní jednoduché organismy. Díky větší délce záření je voda vystavena vysoké úrovni záření delší dobu, což zničí i DNA bakterií, virů a ostatních mikroorganismů. Vnitřek zařízení je vyroben z nerezavějící oceli 316L, která zajišťuje další odrazy záření UV-C a zvyšuje tím jeho účinnost až o 35 %.

Výzkumy ukazují, že záření UV-C dezinfikuje 80 % bazénové vody a měď dezinfikuje vodu z 20 %. Za předpokladu, že tyto hodnoty jsou stoprocentně správné, kombinace záření UV-C a elektrolýzy s měděnou anodou umožňují koupání v bazénu bez nutnosti přidavků dalších chemikálií. Díky ionizátoru Blue Lagoon UV-C bude voda ve vašem bazénu dezinfikována účinně a bezpečně a její kvalita bude stále vynikající.

Použití

Po instalaci ionizátoru Blue Lagoon UV-C do potrubního systému se lampa UV-C zapne okamžitě, jakmile bude zapojena do elektrické zásuvky. Před zapnutím ionizátoru je nutné, aby voda v bazénu byla testována kvůli stanovení aktuální koncentrace mědi. Ideální koncentrace mědi je v rozmezí 0,4 a 0,7 ppm. Testovací pásek indikuje, zda koncentrace mědi není příliš vysoká nebo příliš nízká.

Ionizátor se zapne stisknutím tlačítka „+“ na displeji (V) (**viz obr. 2 a 9**). Stav emise mědi se zobrazí červeně na obrazovce. Může to být číslo mezi 0 a 99. Nastavíte-li ionizátor na 00, bude vypnutý a nebude nadále emitovat měď. Počáteční nastavení na displeji bude záležet na velikosti bazénu a na výsledku prvního testování vody testovacím páskem. Je-li obsah mědi při prvním testování příliš nízký, můžete pomocí tlačítka „+“ zvýšit údaj na displeji například na hodnotu 30 nebo vyšší. Po týdnu otestujte vodu znovu a jestliže bude testovací pásek indikovat, že obsah mědi je příliš nízký, zvýšte opět nastavení na displeji. Jestliže bude testovací pásek indikovat správnou hodnotu mezi 0,4 a 0,7 ppm, není nutné na displeji nic měnit. Je-li obsah mědi příliš vysoký, snižte pomocí tlačítka „-“ hodnotu na displeji na 00, aby se emise mědi do vody zastavila. Až po dalším týdnu vodu znovu otestujete, výsledek na testovacím pásku bude indikovat, zda byste ionizátor měli znovu zapnout nebo nikoliv. Nakonec budete schopni nastavit správnou koncentraci mědi v bazénu pravidelným testováním vody a zvyšováním nebo snižováním hodnoty na displeji.

Ionizátor se automaticky vypne každé dva týdny a čísla na displeji zařízení nebudou vidět. Lampa UV-C bude nadále v provozu tak dlouho, dokud bude připojeno napájení. Kdykoliv se ionizátor vypne, musíte otestovat vodu pomocí dodávaných testovacích pásků. Zařízení je možné opět zapnout tlačítkem „+“, přičemž se automaticky zobrazí hodnota, která byla na displeji nastavená před vypnutím. Jakmile ionizátor zapnete, nebude možné samotný displej vypnout, dokud se nevyklopí sám znovu po 336 hodinách. Jestliže jste ionizátor zapnuli nechtěně, nebo jej nechcete používat, jednoduše nastavte na displeji hodnotu 00.

Během prvního měsíce používání musíte vodu v bazénu testovat každý týden, dokud nenajdete správnou hodnotu. Po měsíci je možné testování omezit na intervaly jednu za dva týdny. Pomocí testovacích pásků je možné také testovat hodnotu pH. Pro elektrolýzu s rozpouštěním měděné anody je optimální hodnota pH 7,0–7,6.

Chlór lze také přidávat, pokud je to žádoucí, ale přirozeně ve velmi malých dávkách, protože ionizátor Blue Lagoon UV-C již vodu v bazénu dezinfikuje. V kombinaci s ionizátorem je nutné vždy použít anorganický zdroj chlóru (kapalina, granule, tyčinky nebo tabletky). V kombinaci s elektrolýzou s rozpouštěním mědi by jiné typy chlóru nefungovaly.

Výsraha! Chlоровé tablety ani granule nedávejte na dno bazénu. Kvůli vysoké koncentraci chlóru by se ionty mědi začaly usazovat a způsobily by zbarvení vody.

Náhradní lampa a jednotka elektrolýzy

Zdroj záření UV-C a jednotka elektrolýzy s měděnou anodou mohou být používány ve dvou koupacích sezónách, jestliže se používají 12 hodin denně po dobu 6 měsíců. Lampa UV-C a jednotka elektrolýzy se musejí vyměnit, jakmile začne na displeji ionizátoru Blue Lagoon UV-C blikat údaj 88. Náhradní sadu lze objednat od distributora, u kterého bylo zakoupeno originální zařízení. Každý typ zařízení má vlastní příslušnou náhradní sadu podle typu použité lampy UV-C. Jestliže vyměníte lampu UV-C a elektrolytickou jednotku, můžete displej resetovat současným stisknutím tlačítek „+“ a „-“ po dobu 3 sekund.

Náhradní sada: Jednotka elektrolyzy, lampa Blue Lagoon 40 W a testovací pásky, číslo výrobku: B200012

Náhradní sada: Jednotka elektrolyzy, lampa Blue Lagoon 75 W a testovací pásky, číslo výrobku: B200013

Výhody úpravy ultrafialovým zářením UV-C:

- Zajišťuje čerstvou, čistou a čistou vodu.
- Dezinfikuje vodu účinně a bezpečně.
- Chrání bazén před bakteriemi.
- Zabraňuje růstu plísní, bakterií a řas.
- Může snížit používání chlóru a jiných chemikálií až o 100 %.
- Vázaný chlór se působením záření UV-C rozkládá.
- Metoda je šetrnější k životnímu prostředí než tradiční metody.

Charakteristiky ionizátoru Blue Lagoon UV-C:

- Umožňuje koupání bez používání chlóru.
- Dezinfekce zářením UV-C až z 80 %.
- Dezinfekce elektrolyzou s rozpouštěním mědi až z 20 %.
- Těleso z nerezové oceli 316L zajišťuje díky odrazům zvýšení intenzity záření UV-C až o 35 %.
- Lampa UV a jednotka elektrolyzy postačují na 2 koupací sezóny.
- Snadná instalace a údržba.
- Dvouletá záruční doba na výrobní vady.
- Ionizátor Blue Lagoon UV-C je uzemněný.

Bezpečnost

Toto zařízení produkuje nebezpečné záření. Přímý kontakt může ohrozit oči a pokožku. Kontrolujte provoz lampy UV-C jedině přes průhledné části přístroje.

- Použití zařízení mimo rámec určeného účelu nebo poškození pláště může způsobit únik nebezpečného UV-C záření. Dokonce malé dávky UV-C záření mohou způsobit zranění očí a pokožky.
- Zástrčku zařízení vždy zapojte do uzemněné zásuvky vybavené ochranným krytem.
- Vždy dodržujte předpisy stanovené elektrárenskou společností týkající se jakéhokoli trvalého připojení k elektrické síti. Pokud si nejste zcela jisti postupem při připojování, poraďte se s autorizovaným elektrikářem nebo s elektrárenskou společností. Práce provádějte pouze tehdy, pokud je zařízení vybaveno ochranným jističem (max. 30 mA).
- Před prováděním jakékoli údržbové práce nebo opravy na zařízení vždy vytáhněte zástrčku ze zásuvky. Nikdy nezasunujte/nevytahujte zástrčku ze zásuvky, pokud stojíte ve vodě nebo máte mokré ruce.
- Toto zařízení nesmí používat osoby (včetně dětí) se sníženými fyzickými, smyslovými nebo duševními schopnostmi, nebo s nedostatečnými zkušenostmi a znalostmi, pokud nejsou pod dohledem nebo nejsou instruovány o použití zařízení osobou odpovědnou za jejich bezpečnost.
- Zabraňte, aby se děti zdržovaly v blízkosti tohoto zařízení a připojovacího kabelu.
- Připojovací kabel zařízení nelze vyměňovat. V případě, že dojde k poškození připojovacího kabelu, musí se vyměnit celé elektrické zařízení. Nikdy nevytahujte zástrčku, ale vždy nechejte elektrické zařízení v původním stavu. Na elektrické zařízení s vytáženou zástrčkou se nevztahuje záruka.
- Je velmi důležité, aby voda byla testována! Pokud by byla koncentrace mědi příliš vysoká, mohlo by to způsobovat změny zabarvení bazénu, plavek, nehtů a blond vlasů. Jestliže by koncentrace mědi byla příliš nízká, voda by nebyla dostatečně dezinfikována. Dodržujte doporučené rozmezí 0,4 až 0,7 ppm. Ohledně pravidelného testování vody si udělejte poznámku do telefonu nebo do diáře, abyste na to nezapomněli.
- NIKDY nepoužívejte ionizátor Blue Lagoon UV-C v kombinaci se systémem solné elektrolyzy nebo v koupeli se slanou vodou. Kombinací mědi a soli by mohla vzniknout velmi jedovatá chemická reakce.
- Nikdy neponořujte toto zařízení do vody.
- Nikdy nainstalujte zařízení do prostoru, kde je vystaveno působení přímého slunečního záření.
- Nainstalujte zařízení do suchého a dobře větraného prostoru.
- Po vypnutí zařízení zůstane lampa na dobu přibližně 10 minut horká.
- Nepoužívejte toto zařízení, pokud je jakákoliv z jeho součástí poškozena (to se týká především trubice z křemenného skla).
- Demontujte zařízení, pokud hrozí nebezpečí zmrznutí během zimního období.
- Tento výrobek se smí používat pouze v souladu s pokyny uvedenými v tomto návodu.
- Jestliže se zařízení používá v kombinaci s chemikáliemi jinými výrobky, vždy si nejdříve prostudujte pokyny týkající se použití těchto výrobků. Věnujte prosím zvýšenou pozornost bezpečnostním předpisům.

Instalace kabelu zemnění (obr. 1)

- 1 Protáhněte kabel (B) skrz kabelovou průchodku (F) ještě před připevněním plastové průchodky (F) na šroub uzemnění (A). Umístěte kabelovou průchodku (F) na kabelu zemnění (B) asi 10 cm před oko (H).
- 2 Umístěte oko (H) kabelu (B) na uzemňovací šroub (A), který je připevněn k tělesu.
- 3 Pak na oko (H) umístěte ozubenou pružnou podložku (C), šestihranou matici (D) a další ozubenou pružnou podložku (E).
- 4 Nahoru nasadte průchodku (F) tak, aby se vytvořila smyčka o průměru asi 5 cm.
- 5 Nakonec na šroub zemnění (A) umístěte pojistnou matici (G).
- 6 Jakmile budou jednotlivé matice a podložky umístěny na šroub zemnění (A) ve správném pořadí, je možné matice utáhnout klíčem číslo 8. Neutahujte příliš pevně, aby nepraskla průchodka. (Průsvitná matice, která byla na šroubu zemnění (A) našroubovaná při dodávce, nemá dalšího použití a může být vyhozena.)

Instalace zařízení (obr. 2)

Nikdy toto zařízení neponořujte do vody. Instalaci je nutné provádět mimo bazén. Když je lampa zapnutá, musí skrz zařízení vždy proudit voda. Ionizátor Blue Lagoon UV-C nesmí být nikdy v potrubním systému bazénu nainstalovaný za regulátorem pH. Ideální místo je za čerpadlem a filtrem.

- 1 Určete, kde bude zařízení nainstalováno.
- 2 Připevněte jednotku do okruhu pomocí trojdílných spojek (I).
- 3 Připevněte dodávané příchytky trubek (O) na pevnou podložku, zatlačte jednotku do příchytek trubek a utáhněte spojky (I). Zajistěte, aby bylo v okolí k dispozici dost místa (asi 1 metr) k odmontování lampy (K) případně křemenného skla (M) kvůli výměně a provádění údržby.
- 4 Opatrně zasuňte lampu Blue Lagoon UV-C do trubice z křemenného skla (M). Upevněte lampu (K) do držáku lampy (L) a rukou utáhněte matici (N) na jednotce.
- 5 Spusťte čerpadlo a zkontrolujte, zda systém těsní a protéká jím voda. Věnujte pozornost správné poloze těsnících kroužků (P) jak u spojek, tak i u křemenného skla (**viz obr. 2**).
- 6 Zapojte zástrčku zařízení UV-C do elektrické zásuvky, která je vybavena zemněním a je v okruhu s ochranným jističem. Zkontrolujte pohledem skrz průsvitné části zařízení, zda je lampa v provozu.
- 7 Zařízení bude zcela vypnuté, když bude zástrčka vytažena ze zásuvky.
- 8 Nechte v okolí dost volného místa (asi 1 metr), aby bylo možné odmontovat lampu (K) případně křemenné sklo (M) kvůli výměně a provádění údržby. Kvůli výměně jednotky elektrolyzy (U) je nutné, aby bylo pod zařízením minimálně 30 cm volného prostoru.

Demontáž, údržba a výměna jednotky elektrolyzy a lampy

Vždy při údržbě nebo demontáži zařízení vypněte napájení. Zařízení je nutné čistit každé 3 měsíce. Pokud dojde ke zvýšenému výskytu řas nebo inkrustace, je nutné vyčistit trubici z křemenného skla (M), ve které je vložen zdroj záření (lampa). Je možné, že měď v elektrolyzační jednotce bude kvůli externím vlivům vyčerpána rychleji. Měli byste tedy při čištění kontrolovat také elektrolyzační jednotku. V případě normálního používání je nutné vyměnit lampu Blue Lagoon UV-C a elektrolyzační jednotku s mědí po dvou koupacích sezónách. Vnitřek tělesa z nerezové oceli je možné čistit jemným kartáčem.

- 1 Odšroubujte trojdílné spojky (I) a vypusťte vodu ze zařízení.
- 2 Odšroubujte víčko (N) a trochu je povytahněte společně s lampou. Opatrně vyjměte lampu z držáku lampy (K). Jakmile bude lampa vyšroubovaná, opatrně ji vytáhněte z trubice z křemenného skla. Jelikož tyto části jsou velmi křehké, je zcela nezbytné postupovat s patřičnou opatrností.
- 3 Opatrně vyndejte křemenné sklo (M) pomocí velkého plochého šroubováku (**viz obr. 3**). Nikdy nepoužívejte sílu!
- 4 Vyčistěte křemenné sklo vhodným prostředkem. Doporučujeme používat čistící prostředek na základě kyseliny citrónové. Abyste předešli poškrábání, vždy čistěte sklo měkkou tkaninou.
- 5 Věnujte pozornost správné poloze těsnících kroužků (P) při zpětné montáži křemenného skla do tělesa a pečlivě zaveďte konec křemenné trubice do otvoru (Q) (**viz obr. 4**). Nikdy nepoužívejte sílu!
- 6 Chcete-li vyměnit jednotku elektrolyzy s mědí (U), odšroubujte pomocí šroubováku ochrannou krytku (R) konektoru (S) a odpojte kabely od konektoru. Pak odšroubujte víčko (T) na spodní straně zařízení. Opatrně vyndejte jednotku elektrolyzy s mědí pomocí velkého plochého šroubováku (**viz obr. 3**). Nikdy nepoužívejte sílu! Umístěte novou jednotku elektrolyzy do zařízení a znovu připojte kabely pomocí konektoru (**viz obr. 5**). Zajistěte, aby souhlasily barvy kabelů: modrá s modrou, hnědá s hnědou. Nakonec utáhněte šrouby konektoru. Připevněte zpět ochrannou krytku konektoru. Ujistěte se, že černé opouzdření kabelů je vsunuto dostatečně hluboko v konektoru, a pevně přišroubujte víko konektoru zpět na místo.
- 7 Před demontáží tělesa nebo elektrické jednotky si přečtěte kapitolu o instalaci a demontáži. Elektrická jednotka zařízení je umístěna v pouzdře s displejem (W) na zařízení. Pouzdro displeje je zatmelené a nelze ho otevřít. Jestliže se vyměňuje elektrická jednotka, musí se odšroubovat

celé pouzdro a kabely je nutné odpojit od zařízení (**viz obr. 1 a 5**). Odšroubujte víčko (**N**) a opatrně odeberte držák lampy od lampy. Veškeré volné součástky, například součásti zemnění, je nutné pečlivě uchovat, protože nejsou dodávány s novým tělesem ani s elektrickou jednotkou. V případě pochybností ohledně připojení se poraďte s instalátérem.

Ionizátor Blue Lagoon UV-C je dodáván ve třech typech:

Ionizátor Blue Lagoon UV-C 40 000 litrů / 40 W (230V; 50/60Hz), číslo výrobku: B200002

Ionizátor Blue Lagoon UV-C 75 000 litrů / 75 W (230V; 50/60Hz), číslo výrobku: B200003

Technické specifikace	40 000 l	75 000 l
• Lampa TUV UV-C	40 Watt	75 Watt
• Výkon UV-C (W)	15 Watt	25 Watt
• Obsah bazénu (litry)	40 000 l	70 000 l
• Maximální průtok	20 000 l/hod	25 000 l/hod
• Maximální obsah mědi	0,7 ppm	0,7 ppm
• Maximální tlak	2 bary	2 bary
• Maximální teplota	50 °C	50 °C
• Minimální teplota	0 °C	0 °C
• Rozměr přípojky	Ř 63 mm	Ř 63 mm
• Délka zařízení	100 cm	100 cm

9 KROKŮ K ZAJIŠTĚNÍ PERFEKTNÍ VODY V BAZÉNU POMOCÍ IONIZÁTORU

1. Šok:

Jestliže váš bazén není nový, proveďte filtraci a šokovou desinfekci vody pomocí dávkování 5 ppm chlóru po dobu 3-5 po sobě následujících dnů.

2. Rovnováha:

Voda v bazénu by měla mít vyváženou hodnotu pH na 7,0- 7,6 pH. A testování byste měli provádět jednou týdně.

3. Celkové množství rozpuštěných tuhých látek (TDS = Total dissolved solids):

Hodnota TDS by se měla pohybovat v rozmezí 750-1500 ppm.

4. Kyselina kyanurová (stabilizátor):

Ideální rozmezí by mělo být 0-30 ppm.

5. Celková zásaditost:

Ideální rozmezí by mělo být 80-120 ppm (pokud je pH vyvážené, obvykle není třeba nijak zasahovat)

6. Tvrdost vápenatá:

Ideální rozmezí by mělo být 225-375 ppm.

7. Nainstalujte ionizátor:

Nainstalujte ionizátor podle pokynů výrobce ionizátoru.

8. Hodnoty iontů mědi: (ideální rozmezí 0,4-0,7 ppm)

Nechte ionizátor běžet společně s čerpadlem, dokud nedosáhnete požadované hladiny iontů mědi (to trvá zhruba 2 týdny). Nastavte dobu běhu čerpadla a výstupní hodnoty ionizátoru tak, abyste v bazénu udržovali hladinu iontů mědi v rozmezí 0,4-0,7 ppm (sada pro testování koncentrace mědi se obvykle dodává společně s ionizátorem).

9. Uživejte si koupání!!

Nyní, když jste upravili hladinu mědi a dobu spuštění čerpadla, můžete si sednout a relaxovat. Můžete si užívat bazén s vodou nasycenou minerály, které zajistí SKVĚLOU obranu proti bakteriím, virům, plísním, kvasinkám a VŠEM FORMÁM ŘAS.

Záruční podmínky

Vybrali jste si vynikající výrobek. Toto zařízení bylo vyrobeno pečlivě a v souladu se všemi platnými bezpečnostními předpisy. Z důvodů dodržení vysoké jakosti používá výrobce pouze vysoce kvalitní materiály. Dodavatel poskytuje záruku za zařízení pokrývající vady materiálu a zpracování v trvání 2 roků od data prodeje. Tato záruka se nevztahuje na lampu a křemenné sklo. Nároky podle této záruky je možné uznat pouze tehdy, je-li výrobek zaslán vyplacené poštou společně s platným dokladem o koupi. Tato záruka se nevztahuje na případy chyb v instalaci nebo provozu, nesprávného používání, nedodržování bezpečnostních předpisů, nedostatečné údržby, poškození nebo na případy neoprávněných změn. V případě uznání nároku podle této záruky si dodavatel vyhrazuje právo rozhodnout o opravě zařízení nebo o jeho celkové výměně. Následná škoda je ze záruky vyloučena. Stížnosti týkající se poškození při přepravě budou uznány pouze tehdy, když bylo poškození uplatněno nebo potvrzeno při dodání dopravcem nebo orgány pošty. V takovém případě je možné vznášet nároky pouze vůči dopravci nebo orgánům pošty.

Kérjük, hogy a készülék telepítése előtt gondosan tanulmányozza át a jelen használati utasítást.

Működés

A Blue Lagoon UV-C ionizáló készülék az úszómedencék vizének tisztítására szolgáló berendezés, amely az UV-C sugárral kombinált rézelektrolízis elve alapján működik. A Blue Lagoon UV-C ionizáló készüléket a csővezetékben, az uszodai vízsűrű után kell elhelyezni. Az úszómedence vize átáramlik a Blue Lagoon UV-C ionizáló készülék házán. A házban van elhelyezve az UV-C lámpa, valamint a rézelektrolízis-egység, azaz az ionizáló. A rézelektrolízis-egység minimális mennyiségű réziont juttat a házban átáramló vízbe. A rézionok (Cu²⁺) pozitív töltésűek, és tönkreteszik a baktériumok, a vírusok és más alacsonyabb rendű organizmusok sejtfalát. A megsérült sejtfalú organizmusok nem tudnak tápanyagot felvenni, emiatt nem tudnak szaporodni. Azt a folyamatot, amelynek során a réz pozitív töltésűvé válik, rézelektrolízisnek nevezzük. A vízben lévő réz fertőtlenítő hatást fejt ki az uszoda vizére, és fertőtlenítő hatása összehasonlítható a klór fertőtlenítő hatásával. A Blue Lagoon UV-C ionizáló készülékben elhelyezett UV-C lámpa UV-C fényt bocsát ki. A kibocsátott UV-C fény 253,7 nm hullámhosszú UV-C sugárást hoz létre, amely a baktériumokat, a vírusokat és az egyéb alacsonyabb rendű organizmusokat elpusztítja. A készülék hosszúsága következtében a vizet hosszabb ideig éri a nagy mértékű sugárzás, ami tönkreteszik a baktériumokban, a vírusokban és más alacsonyabb rendű organizmusokban a DNS-láncot. A készülék belső része 316L rozsdamentes acélból készül, amely visszaveri az UV-C sugárzást, és a hatékonyságot akár 35 százalékkal növeli. A kutatások kimutatták, hogy az UV-C fény az uszoda vizének akár 80% fertőtlenítheti, míg a réz fertőtlenítő hatása az uszoda vizére akár 20 százalékos is lehet. Feltételezve, hogy ezek az értékek 100%-ban pontosak, az UV-C fény és a rézelektrolízis kombinálása lehetővé teszi, hogy vegyszerek használata nélkül sem jelent kockázatot az úszás. A Blue Lagoon UV-C ionizáló készüléknek köszönhetően az uszodavíz fertőtlenítése hatékonyan és biztonságosan megoldható, a vízminőség tartósan kitűnő marad.

Használat

Miután a Blue Lagoon UV-C ionizáló készüléket telepítik a csővezetékben, az UV-C lámpa a hálózati csatlakoztatás után azonnal bekapcsol. Az ionizáló bekapcsolása előtt a vizet meg kell vizsgálni az uszodavíz réztartalmának meghatározása érdekében. A réztartalom értéke ideális esetben 0,4 ppm és 0,7 ppm között van. A koncentrációt mérő tesztszék jelzi, ha a réztartalom túl nagy vagy túl kicsi.

Az ionizáló bekapcsolása a kezelő mezőben (V) a „+” gomb megnyomásával történik (lásd a 2. számú és a 9. számú rajzot). A rézkibocsátás állapota a képernyőn piros színnel jelenik meg, és „0” és „99” közötti szám lehet. Ha az ionizálót „00” értékre állítjuk, az ionizáló kikapcsol, és rézkibocsátásra a továbbiakban nem kerül sor. A kijelző kezdeti értéke az uszoda méreteitől és az első vízvizsgálatkor a koncentrációt mérő tesztszék mutatótól függ. Amennyiben az első vízvizsgálatkor a rézkoncentráció túl kicsi, akkor a kijelzett értéket akár 30-ra (vagy nagyobbra) lehet növelni a „+” gomb megnyomásával. A vizet egy hét elteltével újra meg kell vizsgálni, és amennyiben a koncentrációt mérő tesztszék azt mutatja, hogy a rézkoncentráció még mindig alacsony, a kijelzőn lévő értéket tovább kell növelni. Amennyiben a tesztszék megfelelő, 0,4 ppm és 0,7 ppm közötti értéket mutat, akkor a kijelzőn lévő érték megváltoztatására nincs szükség. Ha a réz mértéke túl nagy, a kijelzett értéket a „-” gomb segítségével „00” értékre kell csökkenteni, a vízbe történő rézkibocsátás leállítására érdekében. Ha egy újabb héttel később ismét megvizsgáljuk a vizet, a tesztszék megmutatja, hogy vissza kell-e kapcsolni az ionizálót vagy sem. Az uszodavíz réztartalmának megfelelő beállítására érdekében a vízben a rézkoncentrációt rendszeresen ellenőrizni kell, és a kijelzett értéket a vizsgálati eredménytől függően kell növelni vagy csökkenteni. Az ionizáló minden 336 óra működés után automatikusan kikapcsol, a kijelző mezőben lévő értékek ekkor nem világítanak. Az UV-C lámpa továbbra is bekapcsolva marad, mindaddig, amíg a tápfeszültségre van csatlakoztatva. Az ionizáló kikapcsolásakor a vizet a készülékkel együtt szállított koncentrációmérő tesztszék segítségével meg kell vizsgálni. A készüléket a „+” gomb megnyomásával lehet ismét bekapcsolni, ekkor a kijelző mezőben a kikapcsolás előtt beállított érték jelenik meg újra. Az ionizáló bekapcsolása után a készüléket nem lehet kikapcsolni, hanem az 336 óra elteltével automatikusan kikapcsol ki. Amennyiben téves bekapcsolásra került sor, vagy az ionizálót nem kívánjuk tovább használni, a kijelző mezőben „00” értéket kell beállítani. A használat első hónapja alatt az uszoda vizét minden héten meg kell vizsgálni, amíg a rézkoncentráció mértékét megfelelőnek találjuk. Egy hónap után a vizsgálat gyakorisága két hétre csökkenthető. Vizsgálatkor a víz pH-értékét is meg kell határozni a tesztszékkel. Rézelektrolízishez az optimális pH-érték 7,0-7,6. A víz fertőtlenítésére klórt továbbra is lehet használni, azonban természetesen csak nagyon kis mennyiségben, mivel a Blue Lagoon UV-C ionizáló fertőtleníti az uszodavizet. A fertőtlenítésre mindig szervesetlen klórvegyületet kell használni (folyadék, granulátum, rúd vagy pasztilla), az ionizálóval kombinálva. Más típusú klórvegyületek a rézelektrolízissel kombinálva nem fejtenek ki hatást. Figyelem! A klórtablettákat vagy szemcséket ne helyezze a medence aljába! A klór magas koncentrációja miatt, a rézionok kicsapódnak és elszíneződést okozhatnak.

Cserelámpa és csere-rézelektrolízisegység

Az UV-C lámpát és a rézelektrolízis-egységet – napi 12 órás és évi 6 hónapos használatot feltételezve – két úszószezonon keresztül lehet használni. Az UV-C lámpát és a rézelektrolízis-egységet akkor kell kicserélni, amikor a Blue Lagoon UV-C ionizáló készülék kijelző mezőjében a „88” szám villogni kezd. A cserékészletet az eredeti készüléket forgalmazó kereskedőnél lehet megrendelni. Minden típusú készülékhez az UV-C lámpa típusának megfelelő saját cserékészlet tartozik. Az UV-C lámpa és a rézelektrolízis-egység cseréjekor a kijelző mező a „+” és a „-” gomb 3 másodpercen keresztül történő együttes lenyomásával lehet alaphelyzetbe állítani.

Cserekészlet: rézelektrolízis-egység, 40 W teljesítményű „Blue Lagoon” lámpa, koncentrációmérő tesztcsíkok, cikkszám: B200012
Cserekészlet: rézelektrolízis-egység, 75 W teljesítményű „Blue Lagoon” lámpa, koncentrációmérő tesztcsíkok, cikkszám: B200013

Az UV-C lámpával történő vízkezelés előnyei:

- friss, tiszta és teljesen átlátszó vizet biztosít;
- a vizet hatékonyan és biztonságosan fertőtleníti;
- biztosítja az uszoda csíramentességét;
- gátolja a gombák és a baktériumok keletkezését, valamint az algásodást;
- a klórvegyületek és az egyéb vegyszerek felhasználása 100 százalékkal csökkenthető;
- a kötött klórt az UV-C fény lebontja;
- a hagyományos módszereknél környezetkímélőbb.

A Blue Lagoon UV-C ionizáló készülék jellemzői:

- lehetővé teszi az uszodavíz fertőtlenítését klór használata nélkül;
- akár 80 százalékos fertőtlenítés az UV-C lámpa segítségével;
- akár 20 százalékos fertőtlenítés a rézelektrolízis segítségével;
- a 316L rozsdamentes acél ház a visszaverődés következtében az UV-C lámpa hatékonyságát akár 35 százalékkal növeli;
- az UV-C lámpa és a rézelektrolízis-egység két úszószezonon keresztül használható;
- könnyű beépítés és karbantartás;
- két év jótállás a gyártási hibákra;
- a Blue Lagoon UV-C ionizáló készülék földelve van.

Biztonsági utasítások

A Blue Lagoon UV-C ionizáló készülék ártalmas sugárzást bocsát ki. A közvetlen sugárzás veszélyes a szemre és a bőrre. Az UV-C lámpa működését kizárólag a készülék átlátszó alkatrészein keresztül benézve szabad ellenőrizni.

- Az eszköz nem rendeltetésszerű használata vagy házának sérülése veszélyes UV-C sugárzás kibocsátásához vezethet. Az UV-C sugárzás még kis dózisban is szem- és bőrsérülést okozhat.
- A készülék dugaszt minden esetben védőfedéllel ellátott földelt aljzatba csatlakoztassa.
- Mindig a villamos energiaszolgáltató előírásainak megfelelően járjon el, ha állandó csatlakozást hoz létre a villamos hálózatnál. Ha bármilyen kételeye támadna a csatlakoztatással kapcsolatban, forduljon szakképzett villanyszerelőhöz vagy a villamos energiaszolgáltatóhoz. Minden esetben használjon földzárlatvédő megszakítót (max. 30 mA).
- Mielőtt bármilyen karbantartási vagy javítási munkát végezne a készüléken, mindig húzza ki a hálózati dugaszt a csatlakozóaljzattól! Sohase dugja be vagy húzza ki a dugaszt a csatlakozóaljzattól, ha vízben áll, vagy ha nedves a keze!
- A készüléket csökkent testi, érzékszervi vagy szellemi képességű (beleértve a gyermekeket is), ill. tapasztalattal és hozzáértéssel nem rendelkező személyek csak a biztonságukért felelős személy felügyelete mellett vagy akkor használhatják, ha őket a készülék használatára kioktatták.
- Tartsa távol a gyermekeket a készüléktől és a kábeltől!
- A készülék hálózati kábele nem cserélhető. A készülék teljes elektromos egységét ki kell cserélni, ha bármilyen módon megsérül a hálózati kábel. Ne szerelje le a dugaszt, hanem hagyja érintetlenül az elektromos egységet. Ha az elektromos egységet és a dugaszt leszereli, a készülék elvesztí a garanciáját.
- A vízvizsgálat elvégzése rendkívül fontos. Amennyiben a rézkoncentráció túl nagy, akkor az uszoda, az úszóruhák, az úszók körmei és szőke haja elszíneződhet. Amennyiben a rézkoncentráció túl kicsi, a víz fertőtlenítése nem lesz megfelelő. A vízben a rézkoncentrációt 0,4 ppm és 0,7 ppm között kell tartani. Hozzon létre erre vonatkozó emlékeztetőt a telefonjában / előjegyzési naplójában.
- SOHA ne használja a Blue Lagoon UV-C ionizálót sós elektroízisú rendszerrel együtt vagy sósvíz-fürdőben! A réz és a só egyesülése erősen mérgező vegyi reakciót hozhat létre.
- Tilos a készüléket vízbe mártani!
- Ne szerelje fel a készüléket olyan helyre, ahol közvetlen napsütésnek van kitéve!
- A készüléket csak száraz és jól szellőző helyen szabad felszerelni.
- A készülék kikapcsolása után az izzó még körülbelül 10 percig forró marad.
- Ne használja a készüléket, ha bármelyik alkatrésze sérült (ez különösen a kvarcüvegre vonatkozik).
- Távolítsa el a készüléket, ha a téli hónapokban fagyveszéllyel lehet számolni.
- Ezt a terméket kizárólag az itt ismertetett iránymutatás szerint szabad használni.
- Olvassd el, ha együtt használják a vegyi anyagok, mindig ezt a terméket. Fordítsanak különös figyelmet a biztonságra.

A földelőkábel kiépítése (1. számú rajz)

1. A szintetikus műanyag feszültségmentesítőnek (F) a földelő csavarhoz (A) történő rögzítése előtt húzzuk át a kábelt (B) a feszültségmentesítőn (F). Helyezzük el a feszültségmentesítőt (F) körülbelül 10 cm-re a földelőkábel (B) végén lévő sarutól (H).
2. Tegyük rá a földelőkábel (B) végén lévő sarut (H) a házon található földelő csavarra (A)
3. Ezután tegyük rá a fogazott biztosító alátétet (C), a hatlapfejű csavaranyát (D) és a másik fogazott biztosító alátétet (E) a sarura (H).
4. Illesszük rá felül a feszültségmentesítőt (F), amivel 05 cm hurkot alakítunk ki.
5. Végül tegyük rá a biztosító anyát (G) a földelő csavarra (A).
6. Miután a különböző csavaranyákat a megfelelő sorrendben elhelyeztük a földelő csavaron, akkor 8-as csavarkulccsal vagy csillagkulccsal húzzuk meg a csavarokat. A csavarokat nem szabad túl erősen meghúzni, mivel ekkor a feszültségmentesítő megrepedhet. (A földelő csavarra (A) szállításkor felcsavarozott átlátszó csavaranyára a továbbiakban nincs szükség, az kidobható.)

A készülék telepítése (2. számú rajz)

A készüléket soha nem mérjük vízbe. A telepítést mindig a medencén kívül kell végezni. Biztosítani kell, hogy amikor a lámpa be van kapcsolva, a készüléken mindig víz áramoljon keresztül. A Blue Lagoon UV-C ionizáló készüléket soha nem szabad az uszodában a pH-szabályozó vagy a mógé beépíteni. A készülék ideális helye a szivattyú és a szűrő mögött van.

1. Határozzuk meg, hogy a készüléket hol kívánjuk telepíteni.
2. Illesszük az egységet a megfelelő helyre, a három részes csatlakozóelemek (coupling) (I) segítségével.
3. Illesszük be a készülékkel együtt szállított csőbillincseket (O) fix helyzetbe, nyomjuk be az egységet a csőbillincsekbe, majd rögzítsük a három részes csatlakozóelemek (coupling) (I) segítségével. Biztosítsunk elegendő helyet (± 1 méter) a lámpa (K), illetve a kvarcűveg (M) csere céljából történő kivételéhez, és/vagy a karbantartás elvégzéséhez.
4. Óvatosan csúsztassuk be a Blue Lagoon UV-C lámpát a kvarcűvegbe (M). Illesszük be a lámpát (K) a lámpatartóba (L), majd csavarozzuk rá kézzel a csavaranyát (N) az egységre.
5. Kapcsoljuk be a szivattyút, és ellenőrizzük a rendszert átáramlás és szivárgás szempontjából. Ügyeljünk, hogy a tömítőgyűrűk (P) megfelelő helyen legyenek, mind a csatlakoztatásnál, mind a kvarcűvegnél (lásd a 2. számú rajzot).
6. Csatlakoztassuk az UV-C készülék csatlakozódugóját földelt és szivárgóáram-védő kapcsolóval (ELCB) ellátott fali csatlakozóaljba. A készülék átlátszó részén keresztül ellenőrizzük, hogy a lámpa bekapcsolt-e.
7. Amikor a csatlakozódugót a csatlakozóaljából kihúzzuk, a készülék teljesen kikapcsol.
8. Biztosítsunk elegendő szabad helyet (± 1 méter) a lámpa (K), illetve a kvarcűveg (M) csere céljából történő kivételéhez, és/vagy a karbantartás elvégzéséhez. A rézelektrolízis-egység (U) cseréjéhez alul legalább 30 cm helyet kell hagyni.

Leszerelés / karbantartás / az UV-C lámpa és a rézelektrolízis-egység cseréje

A készülék karbantartásának / leszerelésének megkezdése előtt feszültségmentesítsük a készüléket. A készüléket három havonta meg kell tisztítani. Amennyiben az algásodás és/vagy a vízkőlerakódás nagyobb mértékű, a kvarcűveg csövet (M) – amelyben a lámpa található – meg kell tisztítani. Előfordulhat, hogy a rézelektrolízis-egység külső hatásos következtében a vártnál gyorsabban kimerül. Ezért tisztításkor a rézelektrolízis-egység állapotát is ellenőrizni kell. Szokásos használat esetén a speciális Blue Lagoon UV-C lámpát és a rézelektrolízis-egységet két úszószezeton követően kell kicserélni. A belső rozsdamentes acél házat lágy kefével lehet tisztítani.

1. Csavarozzuk le a három részes csatlakozóelemeket (coupling) (I), és engedjük le a vizet a készülékből.
2. Csavarozzuk le a menetes fedelet (N), és húzzuk kissé feljebb, a lámpával együtt. Óvatosan vegyük ki a lámpát a lámpatartóból (K). Miután a lámpát kicsavaroztuk, óvatosan vegyük ki a kvarcűvegből. Mivel ezek az alkatrészek rendkívül törekenyek, különös óvatossággal kell eljárni.
3. Ezután a kvarcűveget (M) nagy, egyenes csavarhúzó segítségével óvatosan vegyük ki (lásd a 3. számú rajzot). A kvarcűvegre nem szabad erőt kifejteni.
4. Megfelelő mosószerrel tisztítsuk meg a kvarcűveget. Javasoljuk a kvarcűveg citromsav alapú mosószerrel történő tisztítását. A tisztításhoz puha rongyot kell használni, az üveg megkarcolásának elkerülése érdekében.
5. Ügyeljünk arra, hogy a kvarcűvegnek a házba történő visszahelyezésekor a tömítőgyűrűk (P) megfelelő helyzetben legyenek. A kvarcűveg végét megfelelő óvatossággal kell a bemenetbe (Q) behelyezni (lásd a 4. számú rajzot). A kvarcűvegre nem szabad erőt kifejteni.
6. A rézelektrolízis-egység (U) cseréjéhez (lásd a 3. számú rajzot) csavarhúzó segítségével csavarozzuk le a csatlakozó (S) védőfedelét (R), és vegyük le a huzalozást a csatlakozóról. Ezután csavarozzuk le a készülék alján a menetes fedelet (T). Nagy, egyenes csavarhúzó segítségével óvatosan vegyük ki a rézelektrolízis-egységet (lásd a 3. számú rajzot). A kivételkor nem szabad erőt kifejteni. Tegyük be az új rézelektrolízis-egységet a készülékbe, majd csatlakoztassuk a huzalozást a csatlakozóhoz (lásd az 5. számú rajzot). Az azonos színű kábeleket kell egymáshoz csatlakoztatni: kékkel a kékhez, barnát a barnához. Húzzuk meg a csatlakozó csavarjait. Ezután tegyük vissza a csatlakozó védőfedelét. Biztosítsuk, hogy a két kábel fekete borítása elég távol legyen a csatlakozóba beillesztve. Csavarozzuk vissza a fedelet szorosan, a helyére.
7. Kérjük, hogy a ház vagy az elektromos egység cseréje előtt figyelmesen olvassa el a „Telepítés és leszerelés” című fejezetet. Az elektromos egység a készüléken a kijelző dobozban (display box) (W) található. A kijelző doboz ragasztott, és nem lehet felnyitni. Az elektromos egység cseréjekor a teljes dobozt le kell csavarozni, és a huzalozást ki kell venni a készülékből (lásd az 1-5. ábrát). Csavarozzuk le a menetes fedelet

(N), és óvatosan vegyük le a lámpatartót a lámpáról. A laza részeket, például a földelést stb. meg kell őrizni, mivel ezek nem tartozékaik az új háznak vagy elektromos egységnek. A csatlakoztatással kapcsolatos kétségek esetén szakképzett szerelő segítségét kell kérni.

A Blue Lagoon UV-C ionizáló készülék alábbi típusai kaphatók:

Blue Lagoon UV-C ionizáló készülék, 40 000 liter / 40 Watt (230V, 50/60Hz); cikkszám: B200002

Blue Lagoon UV-C ionizáló készülék, 75 000 liter / 75 Watt (230V, 50/60Hz); cikkszám: B200003

Műszaki specifikáció	40 000 l	75 000 l
• TUV UV-C lámpa	40 watt	75 watt
• UV-C teljesítmény	15 watt	25 watt
• A medence víztérfogata	40000 liter	70000 liter
• Maximális átfolyás	20000 liter/óra	25000 liter/óra
• Maximális rézkoncentráció	0,7 ppm	0,7 ppm
• Maximális nyomás	2 bar	2 bar
• Maximális hőmérséklet	50 °C	50 °C
• Minimális hőmérséklet	0 °C	0 °C
• Csatlakoztatási méret	Ø63 mm	Ø63 mm
• A készülék hosszúsága	100 cm	100 cm

9 LÉPÉS A "TÖKÉLETES" MEDENCÉHEZ IONIZÁLÓ SEGÍTSÉGÉVEL

1. Rázás:

Ha a medencéje nem vadonatúj, szűrje meg és rázza össze a vizet 5ppm klórral 3-5 egymást követő napon.

2. Egyensúly:

A medence pH-értékét 7,0-7,6 közötti egyensúlyon kell tartani. Ezt hetente kell vizsgálni.

3. Oldott anyagok mennyisége:

Az oldott anyagok mennyiségének 750-1500 ppm között kell lenni.

4. Cianursav (stabilizáló):

Az ideális tartomány 0-30 ppm között van.

5. Teljes lúgosság:

Az ideális tartomány 80-120 ppm között van (általában saját magától így alakul, ha a pH egyensúlyban van)

6. Kalciumkeménység:

Az ideális tartomány 225-375 ppm között van.

7. Ionizáló üzembe helyezése:

Az ionizálót a gyártó utasításai szerint helyezze üzembe.

8. Rézion szintek: (ideális tartomány: 0,4 – 0,7 ppm)

Az ionizálót a szivattyúrendszerrel együtt működtesse, amíg eléri a rézionok ajánlott szintjét (ez nagyjából két hetet vesz igénybe). Igazítsa úgy a medence szivattyúzási idejét és az ionizáló kibocsátási szintjeit, hogy folyamatosan fenntartsa a 0,4-0,7 ppm réz-szintet. (az ionizáló tartozékai között általában van egy réz-teszt is.)

9. Élvezze az eredményt!!

Most, hogy az ionszinteket a szivattyúzási idő szerint állította be, hátradőlhetsz és élvezheti az ásványi anyagokkal átitatott medence előnyeit, annak tudatában, hogy a víz NAGY MÉRTEKŰ első vonalbeli védelemmel rendelkezik baktériumok, vírusok, gombák, élesztőgombák és MINDENFÉLE ALGA ellen.

Jótállási feltételek

A Blue Lagoon UV-C ionizáló készülék megvásárlása kitűnő választás. A készülék összeállítása gondosan, valamennyi vonatkozó előírás betartásával történt. A megfelelő minőség biztosítása érdekében a készülék gyártása kizárólag kiváló minőségű anyagok felhasználásával történik. A szállító a készülék anyaghibáira és gyártási hibáira a készülék megvásárlásától számított 2 év jótállást biztosít. A jótállás nem vonatkozik a lámpára és a kvarcívvegre. A jótállási igények kizárólag a készülék bérmentesített, a vásárlást igazoló bizonylattal együtt történő visszaküldése esetén érvényesíthetők. A jótállási igények nem érvényesíthetők a készülék nem megfelelő telepítése és üzemeltetése, a biztonsági előírások be nem tartása, nem megfelelő karbantartás, a készülék sérülése vagy engedély nélküli módosítása esetén. Jótállási igény esetén a szállító fenntartja a jogot, hogy választása szerint a készüléket megjavítsa vagy új készülékre cserélje. A következményes sérülésekre a jótállás nem vonatkozik. A szállítás során bekövetkező sérülésekkel kapcsolatban a jótállás csak akkor érvényesíthető, amelyben leszállításkor a sérülést a fuvarozó vagy a postai hatóságok megállapítják vagy igazolják. Ilyen esetben a jótállást csak a fuvarozóval vagy a postai hatóságokkal szemben lehet érvényesíteni.

Перед установкой устройства внимательно ознакомьтесь с данной инструкцией по эксплуатации.

Принцип работы

Ионизатор Blue Lagoon UV-C очищает воду в бассейне за счет электролитического выделения ионов меди в сочетании с облучением ультрафиолетовым светом диапазона UV-C. Ионизатор Blue Lagoon UV-C устанавливается в трубопроводной системе после бассейнового фильтра. Вода из бассейна протекает через ионизатор Blue Lagoon UV-C. В корпусе ионизатора находится лампа UV-C и ионизатор, который выделяет в протекающую через корпус воду небольшое количество ионов меди. Эти положительно заряженные ионы меди (Cu^{2+}) разрушают клеточные стенки бактерий, вирусов и других низших организмов. В результате эти организмы теряют способность к питанию и, как следствие, к размножению. Для формирования ионов меди используется процесс электролиза. Ионы меди в воде бассейна выполняют функцию дезинфицирующей буферной системы и по результату своего действия сравнимы с хлором. Ультрафиолетовая лампа, установленная в ионизаторе Blue Lagoon UV-C, излучает свет диапазона UV-C с длиной волны 253.7 нм, убивающий бактерии, вирусы и другие низшие организмы. Благодаря большой длине устройства ультрафиолетовое излучение воздействует на воду в течение длительного времени, разрушая ДНК бактерий, вирусов и других микроорганизмов. Внутренность устройства выполнена из нержавеющей стали AISI 316L, обладающей высокой отражательной способностью для излучения UV-C, что дополнительно увеличивает эффективность облучения на величину до 35%.

Как показывают исследования, ультрафиолетовое излучение UV-C обеспечивает до 80% дезинфицирующего воздействия на воду бассейна, а ионы меди - до 20%. Если полагаться на эти результаты, можно заключить, что сочетание UV-C с электролитическим источником ионов меди позволяет безопасно пользоваться бассейном без применения каких-либо химикатов. Ионизатор Blue Lagoon UV-C эффективно и безопасно очищает воду вашего бассейна, поддерживая ее в великолепном состоянии.

Использование

После установки ионизатора Blue Lagoon UV-C в трубопроводной системе лампа UV-C включается сразу же после подключения устройства к розетке. Прежде чем включать ионизатор, необходимо проверить текущее содержание ионов меди в воде бассейна. Оптимальное содержание меди составляет от 0.4 до 0.7 ppm (частей на миллион). Прилагаемая тестовая полоска позволяет определить, выходит ли содержание меди за эти пределы. Ионизатор включается нажатием кнопки "+" на индикаторе (V) (см. рис. 2 и 9). Настройка источника ионов меди отображается на экране красными цифрами от "00" до "99". Если регулировка установлена на "00", источник выключен и ионы меди не вырабатываются. Начальное состояние источника, отображаемое на индикаторе, зависит от размера бассейна и результатов измерения начального содержания ионов меди, проведенного с помощью тестовой полоски. Если начальное измерение показало низкое содержание меди, можно увеличить интенсивность источника, например, до 30 или более, нажимая кнопку "+". Через неделю проверьте воду еще раз, и если тестовая полоска вновь покажет низкое содержание меди, увеличьте настройку на индикаторе еще раз. Если тестовая полоска покажет правильное значение - от 0.4 до 0.7 ppm, - оставьте настройку неизменной. Если содержание меди слишком велико, уменьшите значение до "00" кнопкой "-", чтобы отключить подачу меди. Проверив воду еще через неделю, вы увидите, надо ли включать ионизатор снова. В конце концов, регулярно увеличивая или уменьшая значение на индикаторе, вы подберете правильный уровень подачи меди для своего бассейна. Ионизатор автоматически отключается каждые две недели; при этом цифры на индикаторе гаснут. Ультрафиолетовая лампа продолжает гореть все время, пока подключено питание. После выключения ионизатора необходимо проверить воду прилагаемой тестовой полоской. Устройство можно включить снова кнопкой "+"; при этом восстанавливается настройка подачи меди, которая была до автоматического выключения. После включения ионизатора выключить его невозможно; он сам выключится автоматически через 336 часов. Если вы включили ионизатор по ошибке или не хотите использовать его, просто установите настройку на индикаторе на "00". В течение первого месяца использования воду в бассейне необходимо проверять каждую неделю, чтобы подобрать правильную подачу. По истечении первого месяца можно перейти к проверкам раз в две недели. Тестовые полоски также позволяют проверять значение pH воды. Для электролитического источника ионов меди оптимальным является значение pH в пределах 7.0 - 7.6. При желании можно использовать хлор, но в очень маленьких дозировках, поскольку ионизатор Blue Lagoon UV-C сам обеспечивает дезинфекцию воды в бассейне. С ионизатором можно использовать только неорганический хлор (жидкости, в гранулах, палочках или таблетках). Другие типы хлорирования несовместимы с электролитическим источником ионов меди. Внимание! Не помещайте хлорирующие таблетки и гранулы на дно бассейна. При высокой концентрации хлора ионы меди могут выпасть в осадок и вызвать окрашивание.

Замена лампы и медного элемента

Ресурс лампы UV-C и медного элемента составляет два купальных сезона при использовании 12 часов в день, 6 месяцев в году. Лампу UV-C и медный элемент необходимо заменить, если на индикаторе ионизатора Blue Lagoon UV-C начинают мигать цифры "88". Комплект для замены можно заказать через дистрибьютора, у которого вы купили устройство. Разные типы устройств имеют разные комплекты для замены, различающиеся ультрафиолетовыми лампами. При замене лампы UV-C и медного элемента блок управления необходимо перезагрузить, нажав одновременно "+" и "-" на 3 секунды.

Комплект для замены: медный элемент, лампа Blue Lagoon 40 Вт, тестовые полоски, артикул B200012
Комплект для замены: медный элемент, лампа Blue Lagoon 75 Вт, тестовые полоски, артикул B200013

Преимущества обработки ультрафиолетом UV-C:

- Гарантирует свежую, чистую и прозрачную воду
- Эффективно и безопасно дезинфицирует воду
- Защищает бассейн от микробов
- Препятствует образованию плесени, бактериального налета и водорослей
- Позволяет снизить использование хлора и других химикатов на 100%
- Ультрафиолетовое излучение UV-C разрушает связанный хлор
- Более экологичная методика, чем традиционные.

Характеристики ионизатора Blue Lagoon UV-C:

- Позволяет обойтись без хлорирования воды в бассейне
- Дезинфекция до 80% излучением UV-C
- Дезинфекция до 20% ионами меди
- Корпус из нержавеющей стали 316L повышает интенсивность излучения UV-C на величину до 35% за счет отражения
- Лампы UV-C и медного элемента достаточно на 2 купальных сезона
- Простота установки и технического обслуживания
- 2-летняя гарантия от производственных дефектов
- Ионизатор Blue Lagoon UV-C имеет заземление

Безопасность

Данное устройство создает опасное излучение, которое при прямом попадании может быть вредным для глаз и кожи.
Проверяйте работу лампы UV-C только через прозрачные детали устройства.

- Неправильное использование устройства или повреждение корпуса могут привести к утечке опасного излучения диапазона UV-C. Излучение UV-C даже в малых дозах может вызвать повреждение глаз и кожи.
- Включайте вилку устройства только в розетку с заземлением, снабженную защитной крышкой.
- Обязательно соблюдайте все требования электроснабжающей организации по постоянному подключению оборудования к сети электропитания. При любых сомнениях относительно правильности подключения обращайтесь к сертифицированному электрику или к электроснабжающей организации. Всегда подключайте устройство через автомат УЗО (макс. ток 30 мА).
- Прежде чем проводить техническое обслуживание или ремонт устройства, обязательно отключите вилку устройства от розетки сети питания. Не вставляйте вилку устройства в розетку и не выдергивайте ее стоя в воде или мокрыми руками.
- Устройство не предназначено для использования лицами (в том числе детьми) с физическими, сенсорными или умственными расстройствами либо не умеющими обращаться с данным устройством или плохо знающими его, без контроля со стороны опытного пользователя или проведения инструктажа по использованию лицом, ответственным за их безопасность.
- Не допускайте детей к устройству и кабелю питания.
- Запрещается заменять кабель питания устройства. При любом повреждении кабеля питания необходимо заменить весь электрический блок устройства целиком. Запрещается заменять вилку электрического блока и разбирать электрический блок. В случае снятия или замены электрической вилки аннулируется гарантия на весь электрический блок.
- A vízvízsgálat elvégzése rendkívül fontos. Amennyiben a rézkoncentráció túl nagy, akkor az uszoda, az úszók körmei és szőke haja elszíneződhet. Amennyiben a rézkoncentráció túl kicsi, a víz fertőtlenítése nem lesz megfelelő. A vízben a rézkoncentrációt 0,4 ppm és 0,7 ppm között kell tartani. Hozzon létre erre vonatkozó emlékeztetőt a telefonjában / előjegyzési naplójában.
- SOHA ne használja a Blue Lagoon UV-C ionizálót sós elektrolízisű rendszerrel együtt vagy sósvíz-fürdőben! A réz és a só egyesülése erősen mérgező vegyi reakciót hozhat létre.
- Запрещается погружать устройство в воду.
- Запрещается устанавливать устройство в местах, подверженных воздействию прямого солнечного света.
- Устанавливайте устройство только в сухом и хорошо проветриваемом месте.
- После выключения прибора лампа остается горячей в течение примерно 10 минут.
- Не используйте устройство при повреждении каких-либо компонентов (особенно это относится к кварцевой трубке).
- Демонтируйте устройство на зиму, если есть риск его замерзания.
- Устройство разрешается использовать только в строгом соответствии с данным Руководством.
- Читать при использовании в сочетании с химическими веществами, всегда использовать этот продукт. Обратите особое внимание на безопасность.

Подключение кабеля заземления (рис. 1)

- 1 Пропустите кабель (В) через пластиковый держатель (F), прежде чем надевать держатель (F) на болт заземления (А). Держатель (F) должен находиться примерно в 10 см от клеммы (H) кабеля заземления (В).
- 2 Наденьте клемму (H) кабеля (В) на болт заземления (А), находящийся на корпусе.
- 3 Установите поверх клеммы (H) зубчатую стопорную шайбу (С), шестигранную гайку (D) и вторую зубчатую стопорную шайбу (Е).
- 4 Наденьте сверху держатель (F), чтобы образовалась петля Ø 5 см.
- 5 Наверните стопорную гайку (G) на болт заземления (А).
- 6 Установив все гайки на болт заземления (А) в правильном порядке, затяните их рожковым или кольцевым ключом №8. Не затягивайте слишком сильно, чтобы держатель не треснул. (Прозрачная гайка, накрученная на болт заземления (А) при поставке, больше не нужна, и ее можно выбросить).

Установка устройства (рис. 2)

Запрещается погружать устройство в воду. Устройство устанавливается вне бассейна. Когда лампа горит, через устройство обязательно должна течь вода. Запрещается устанавливать ионизатор Blue Lagoon UV-C после регулятора pH. Наилучшее местоположение ионизатора - после насоса и фильтра.

- 1 Решите, где будет установлено устройство.
- 2 Присоедините устройство к трубопроводу с помощью трехэлементных соединителей (I).
- 3 Установите прилагаемые зажимы (O) в соответствующие положения, вставьте с усилием устройство в зажимы и затяните трехэлементный соединитель (I). Проследите за тем, чтобы вокруг устройства было достаточно места (примерно 1 метр) для снятия лампы (K) / кварцевой трубки (M) для замены и/или отправки на техническое обслуживание.
- 4 Аккуратно вставьте лампу UV-C Blue Lagoon в кварцевую трубку (M). Установите лампу (K) в патрон (L) и заверните пальцами гайку (N) на устройстве.
- 5 Включите насос и проверьте систему на свободное протекание воды и утечки. Обратите внимание на правильность положения уплотнительных колец (P) относительно соединителей и кварцевой трубки (см. рис. 2).
- 6 Включите вилку устройства в розетку, снабженную защитным заземлением и подключенную через автомат УЗО. Проверьте через прозрачные детали устройства, что лампа горит.
- 7 Если выдернуть вилку из розетки, устройство полностью отключается.
- 8 Обязательно предусмотрите свободное место примерно 1 м, чтобы можно было снять лампу (K) / кварцевую трубку (M) для замены и/или технического обслуживания. Снизу должно быть не менее 30 см свободного пространства для замены медного элемента (U).

Демонтаж, техническое обслуживание, замена медного элемента и лампы

Перед техническим обслуживанием или демонтажом устройства необходимо отключить электропитание. Устройство необходимо чистить каждые 3 месяца. При появлении водорослей и/или накипи необходимо очистить трубку из кварцевого стекла (M), в которой находится лампа. При определенных внешних условиях возможна ситуация, когда медный элемент закончится раньше. Поэтому при очистке необходимо проверять состояние медного элемента. При обычном режиме использования специальную лампу UV-C Blue Lagoon и медный элемент необходимо менять после 2 купальных сезонов. Внутренний корпус из нержавеющей стали можно чистить мягкой щеткой.

- 1 Развинтите трехэлементные соединители (I) и слейте воду из устройства.
- 2 Отвинтите крышку (N) и вытяните ее немного вместе с лампой. Аккуратно выньте лампу из патрона (K). Выкрутив лампу, аккуратно вытащите ее из кварцевой трубки. Будьте предельно осторожны, эти части очень хрупкие.
- 3 Аккуратно выньте кварцевую трубку (M) с помощью большой плоской отвертки (см. рис. 3). Не прикладывайте силу!
- 4 Очистите кварцевую трубку подходящим чистящим средством. Рекомендуем использовать чистящие средства на основе лимонной кислоты. Во избежание образования царапин при очистке пользуйтесь только мягкой тканью.
- 5 При установке кварцевой трубки в корпус обратите внимание на правильность положения уплотнительных колец (P) и аккуратно вставьте конец кварцевой трубки во входное отверстие (Q) (см. рис. 4). Не прикладывайте силу!
- 6 Для замены медного элемента (U) (см. рис. 3) отвинтите защитную крышку (R) соединителя (S) отверткой и отключите провода от соединителя. Затем отвинтите резьбовую крышку (T) внизу устройства. Аккуратно вытащите медный элемент при помощи большой плоской отвертки (см. рис. 3). Не прикладывайте силу! Вставьте новый медный элемент в устройство и подключите провода к соединителю (см. рис. 5). Проследите за тем, чтобы цвета проводов совпадали: голубой с голубым, коричневый с коричневым. Затем затяните винты соединителя. Установите на место защитную крышку соединителя. Убедитесь, что черные оболочки обоих кабелей вставлены достаточно глубоко в соединитель, и плотно заверните крышку.
- 7 Прежде чем демонтировать новый корпус или электрический блок, внимательно прочтите главу "Установка и демонтаж". Электрический блок устройства располагается в пульте управления (W) устройства. Пульт загерметизирован и вскрытию не подлежит. Для замены электрического блока необходимо снять весь пульт управления и отсоединить провода от устройства (см. рис. 1 и 5). Отвинтите верхнюю крышку (N) и аккуратно снимите патрон с лампы. Сохраняйте все освобожденные детали, например, от заземления и т.п., поскольку они

не входят в комплект поставки нового корпуса или электрического блока. Если при подключении возникнут сомнения, обратитесь к опытному специалисту по установке.

Ионизаторы Blue Lagoon UV-C выпускаются следующих типов:

Ионизатор Blue Lagoon UV-C 40000 литров / 40 Вт (230 В; 50/60 Гц), артикул B200002

Ионизатор Blue Lagoon UV-C 75000 литров / 75 Вт (230 В; 50/60 Гц), артикул B200003

Технические характеристики	40000 л	75000 л
• Лампа TUV UV-C	40 Вт	75 Вт
• Мощность излучения UV-C (Вт)	15 Вт	25 Вт
• Объем бассейна (л)	40000 л	70000 л
• Максимальная пропускная способность	20000 л/ч	25000 л/ч
• Максимальное содержание меди	0.7 ppm	0.7 ppm
• Максимальное давление	2 бар	2 бар
• Максимальная температура	50°C	50°C
• Минимальная температура	0°C	0°C
• Присоединительный размер	Ø 63 мм	Ø 63 мм
• Длина устройства	100 см	100 см

9 ШАГОВ - КАК ПРИВЕСТИ БАССЕЙН В ИДЕАЛЬНОЕ СОСТОЯНИЕ С ПОМОЩЬЮ ИОНИЗАТОРА

1. Ударная обработка:

Если бассейн не новый, профильтровать и провести обработку воды ударной дозой хлора (5 ppm) в течение 3-5 дней подряд.

2. Кислотно-щелочной баланс:

Показатель кислотности pH воды в бассейне должен находиться в интервале 7,0 - 7,6. Проверяйте pH еженедельно.

3. Общая минерализация:

Общая минерализация (TDS) воды должна составлять 750-1500 ppm.

4. Циануровая кислота (стабилизатор):

Концентрация должна находиться в диапазоне 0-30 ppm.

5. Общая щелочность:

Оптимальный диапазон общей щелочности 80-120 ppm (обычно достигается автоматически при правильном pH)

6. Кальциевая жесткость:

Оптимальный диапазон 225-375 ppm.

7. Установите ионизатор:

Установите ионизатор в соответствии с инструкциями изготовителя.

8. Содержание ионов меди (оптимальный диапазон 0,4 – 0,7 ppm):

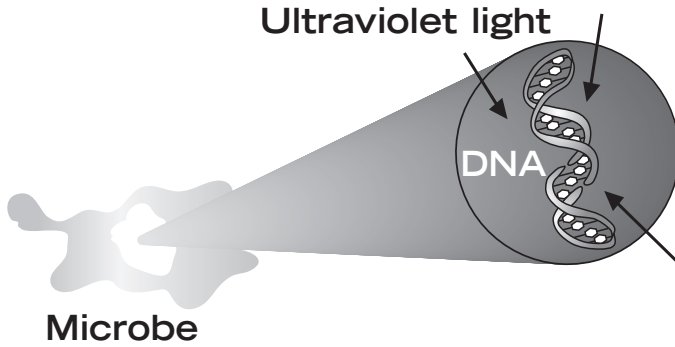
Запустите ионизатор и насосную систему и дождитесь, когда будет достигнуто оптимальное содержание ионов меди (примерно 2 недели). Отрегулируйте время работы насоса и подачу меди ионизатором, чтобы поддерживать содержание ионов меди в диапазоне 0,4 – 0,7 ppm (комплект для анализа на ионы меди обычно поставляется с ионизатором).

9. Готово!!

Теперь, когда вы отрегулировали подачу ионов меди в соответствии с продолжительностью работы насоса, вы можете спокойно наслаждаться водой в вашем бассейне, понимая, что она является ВЕЛИКОЛЕПНЫМ рубежом защиты от бактерий, вирусов, грибков, дрожжей и всех ВИДОВ ВОДОРОСЛЕЙ.

Условия гарантии

Приобретя наше устройство, Вы сделали правильный выбор. Устройство собрано с максимальной тщательностью и в соответствии со всеми применимыми нормативами по безопасности. Для обеспечения качества поставщик использует только высококачественные материалы. Поставщик предоставляет гарантию на материалы и сборку сроком 2 года с даты покупки. Гарантия не распространяется на лампу и кварцевую трубку. Гарантийные претензии принимаются только при возврате изделия с предоплаченными почтовыми расходами с приложением подлинника чека об оплате. Претензии по гарантии не принимаются в случае неправильной установки или эксплуатации, неверного использования, несоблюдения нормативов безопасности, ненадлежащего технического обслуживания, повреждений или несанкционированной модификации. В случае гарантийных претензий поставщик оставляет за собой право либо отремонтировать устройство, либо заменить его полностью по своему усмотрению. Гарантия не распространяется на косвенный ущерб. Претензии по повреждениям при транспортировке принимаются только в случае, если повреждения обнаружены при доставке и подтверждены перевозчиком или почтовой службой. В этом случае претензии необходимо адресовать перевозчику или почтовой службе.



How UV-C works

The molecular structure of the DNA is broken down rendering the microbe harmless

Recycling informatie

Het symbool van de afvalbak op dit product geeft aan dat het product (als het niet meer wordt gebruikt) niet met het reguliere vuilnis mag worden aangeboden, maar dat het op de speciaal hiervoor ingerichte collectiepunten moet worden aangeboden voor recycling. Als alternatief kunt u het product ook aanbieden op het adres waar het is gekocht op het moment dat u een nieuw product koopt. Maar dit mag alleen op basis van 1 op 1. Een gescheiden afvalcollectie is beter voor het milieu en het helpt om door recycling de grondstoffen weer opnieuw te gebruiken. Elke andere manier van afval- verwerking met betrekking op dit product is strafbaar.

NL



Information de recyclage

Le symbole du container barre sur le produit veut dire que le appareil doits etre recycle separe. Le usageur, a la fin du vie de le appareil, doits ramene le appareil a un centre de recyclage des appareils electrique. Une alternative est de le ramene a le vendeur sur le moment de une achat de une nouvelle produit, sur le base 1 sur 1. Une recyclage alternative est tres saine pour le environnement, et aide a une recyclage de materiel, une autre methode de jete le appareil est illegal, et sera puni par la loi.

F

Informationen das Recyclage

Das Kennzeichen auf die Packing bedeutet dass es getrennt, von normalles Müll gesammelt werden muss, wenn das Gerät nicht mehr nutzbar ist. Wenn das Produkt kaputt ist soll der Besitzer es zu ein Sammelpunkt für elektrische Haushaltgeräte bringen. Oder wenn der Besitzer ein neues Gerät kaufen möchte kann Er/Sie das alte Gerät beim Verkäufer hinterlassen, nur 1 um 1 austauschbar. Getrenntes sammlung ist Umwelt freundlich und hilft dazu die alte Materialien neu nutzbar zu machen. Jeder andere / sonstige weise von sammeln ist nicht rechtsgültig.

D

Recycle information

The symbol of the barred bin printed on the product means that it must be collected separately from other rubbish when it will not be anymore in use. The user, at the end of the life of the product, will have to bring it to a proper rubbish collection centre for electric and electrical devices. Alternatively he can return the used product to the seller at the moment he buys a new unit, but only in proportion 1 to 1. A differentiated refuse collection is environmentally friendly and it helps the recycle of the materials, any other collection procedure is unlawful and will be subject to the law in force.

GB

